

SOLUTIONS FOR
INDUSTRIAL
ECOSYSTEMS

FATH®

INDUSTRIAL HARDWARE

Quarter Turn Locks
(QTL) **1**

Compression Latches
(COL) **2**

Slam Latches
(SLA) **3**

Swing Handles
(SWH) **4**

Accessories for Swing Handles
(ASH) **5**

Surface Hinges
(SFH) **6**

Semi-Concealed Hinges
(SCH) **7**

Concealed Hinges
(COH) **8**

Accessories
(ACC) **9**

Gaskets
(GSX) **10**

Handles
(HAN) **11**

Heating, Ventilation, Air Conditioning
(HVAC) **12**

Cover Stays
(CST) **13**

ENRICH YOUR WORKING LIFE.



INDUSTRIAL HARDWARE

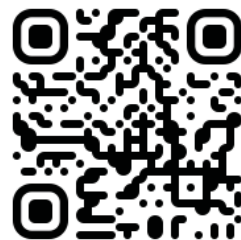
LATCH
HINGE
SEAL
SECURE



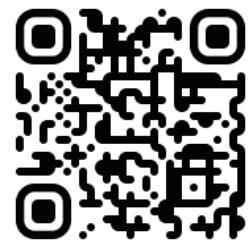
FATH INC



LINKEDIN



FACEBOOK



YOUTUBE

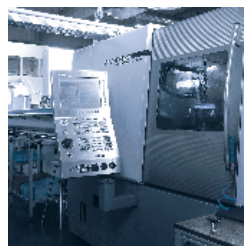
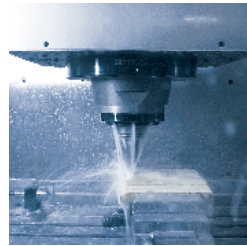
COMPETENCIES, TECHNOLOGIES, EQUIPMENT

Know-How

- In-depth market knowledge
- Product development
- Industrial design
- Tool engineering
- Tool construction
- Manufacturing technologies
- Operational management, processes
- International procurement and production network
- ...etc.

Materials

- Plastics PA, POM, PP, PC, TPE, ABS, PVC, PE etc.
- Additives: glass fibres, glass balls, carbon fibres, antiseptics, diverse colors etc.
- Rubber EPDM, NBR, CR etc.
- Aluminum
- Die-cast aluminum
- Die-cast zinc
- Steel
- Stainless steel
- Brass
- ...etc.



Surfaces

- Anodizing
- Painting
- Powder coating
- Galvanizing, zinc lamellar plating
- Chrome plating
- Nickel plating, zinc nickel plating
- Chromate treatment
- Burnishing
- Dry-film lubrication
- Printing
- Flocking
- Polising
- Brushing
- ...etc.

Manufacturing Technologies

- Plastic injection moulding
- Aluminum die-casting
- Zinc die-casting
- Turning
- Milling
- Drilling
- Cutting
- Punching
- Bending
- Wire bending
- Cold-forming
- Hot-forming
- Deep-drawing
- Erosion
- Thread rolling
- Welding
- Friction welding
- Bonding
- Powder injection molding MIM / PIM
- Extruding
- Extrusion pressing
- ...etc.





American Systems
REGISTRAR
5281 Clyde Park Ave. SW, Suite 1
Wyoming, MI 49509 USA
www.asrworldwide.com
616-942-6273



American Systems Registrar, LLC, a provider of third-party system registration and accredited by the ANSI National Accreditation Board attests that:

FATH, INC.
6533 HAZELTINE NATIONAL DRIVE #3
ORLANDO, FL 32822

with a scope of:

**WAREHOUSE & DISTRIBUTION OF METAL & PLASTIC
INDUSTRIAL HARDWARE & COMPONENTS**

has established a quality management system that is in conformance with the International Quality System Standard

ISO 9001:2015

ASR Certificate Number:	5759
Date of Certification:	August 10, 2020
Date of Certification Expiration:	August 9, 2023
Date of Initial Registration:	August 18, 2014
Revision:	
Re-Issue Date:	

President

CERTIFICATE OF REGISTRATION

TECHNICAL INFORMATION

Symbols



Different versions supplied for left and right side installation



For left and right hand installation



Padlockable



Attention



Appropriate for devices accordant to IP65 / NEMA 4



External hinge



Concealed-hinge



Detachable hinge



Stainless steel

Protection Categories according to IEC 60 539

The IP protection category is characterized by 2 digits. Example: IP 54

First Digit	Degree of protection against contact and foreign bodies	Second Digit	Degree of protection against water
1	Protected against solid foreign objects of Ø 50 mm and greater	1	Protected against vertically falling water drops
2	Protected against solid foreign objects of Ø 12.5 mm and greater	2	Protected against vertically falling water drops when the enclosure is tilted up to 15°
3	Protected against solid foreign objects of Ø 2.5 mm and greater	3	Protected against splashing water
4	Protected against solid foreign objects of Ø 1.0 mm and greater	4	Protected against splashing water
5	Dust-protected	5	Protected against water jets
6	Dust-tight	6	Protected against powerful water jets
		7	Protected against the effects of temporary immersion in water

Protection Categories according to National Electric Manufacturers Association (NEMA)

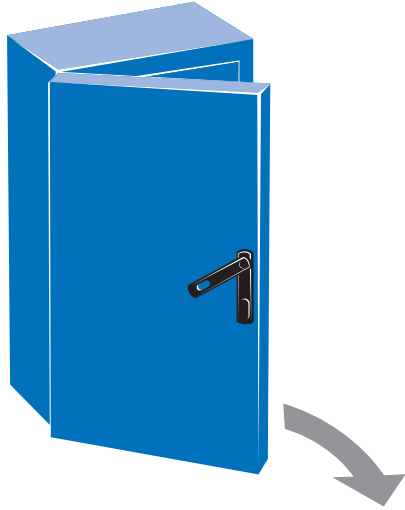
The UL classifications are not directly comparable with IP Protection Categories, since both the test conditions and the test results are different.

UL / NEMA	Description
1	Protected against penetration of foreign bodies
3.3R	Protected against penetration of solid bodies, protected against the ingress of rain, and dust and damage caused by icing
3S	Protected against rain, snow and foreign bodies. External mechanisms remain usable despite being coated in ice.
4.4X	Protected against rain, foreign bodies, splashed water and hosed water, and against damage caused by icing on the exterior of the enclosure
12.12K	Protected against dust deposits, foreign bodies, and non-corrosive dripping liquids
13	Protected against dust deposits, sprayed water, oil, and non-corrosive dripping liquids

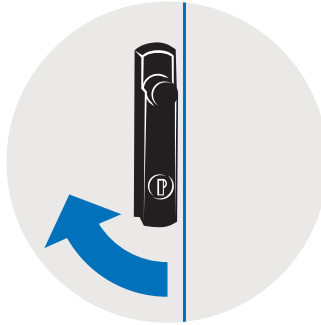
Stainless steel material specifications

Germany		USA	Japan	Unified Numbering System
Werkstoffnummer	DIN	AISI	JIS	UNS
1.4301	X5CrNi18-10	304	SUS 304	S 30400
1.4305	X8CrNiS18-9	303	SUS 303	S 30300
1.4310	X10CrNi18-8	301	SUS 301	S 30100
1.4401	X5CrNiMo17-12-2	316	SUS 316	S 31600
1.4571	X6CrNiMoTi17-12-2	316Ti	SUS 316Ti	S 31635

LEFT HAND DOOR, RIGHT HAND DOOR, AND OPENING DIRECTION



LH Door
Hinges are on the left side



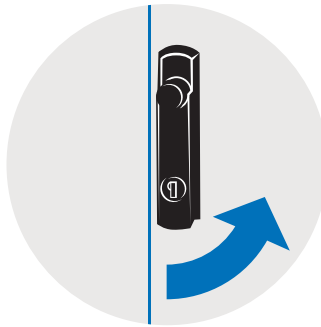
LH Door with swinghandle
Opening direction is clockwise



LH Door with escutcheon
Opening direction is counter-clockwise



RH Door
Hinges are on the right side



RH Door with swinghandle
Opening direction is counter-clockwise



RH Door with escutcheon
Opening direction is clockwise

We Are Only Limited By Our Imagination

- Custom Dimensions
- Custom Aesthetics
- Custom Ideas
- Exceptional Customer Service
- Unique Industry Changing Designs
- Same Day Design-To-Part at no charge to customer
- Think outside the box, think **FATH**
- Bring us a problem and we solve it

Environmental Lab Corrosion Test Chamber

Singleton Corp SCCH 21 Corrosion Test Chamber

Salt fog, CASS, Corrodkote, Humidity

Performs a wide range of accelerated
corrosion tests including

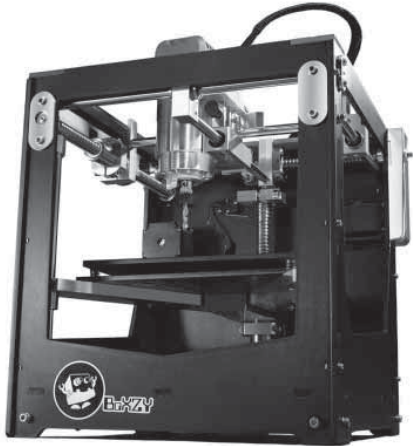
- ASTM B117
- ASTM B368 (CASS)
- ASTM D1735

- ISO 9227
- DIN 50027
- ASTM G85
(A1)(A2)(A3)(A4)



ASTM Certified Technicians
Application and Use Of Salt Fog,
Humidity, Cyclic and Gas Tests

Rapid Prototyping



BoXZY Prototyping Machine

- Milling Machine, 3D Printer and Laser Engraver
- Build Volume: 165 x 165 x 165 mm



Dremel DigiLAB 3D45 3D FDM Printer

- Build Area: 254 x 152 x 170 mm
- Z-Layer Resolution: 50 - 300 microns
- Fast high quality prints



Flashforge Creator Pro 3D FDM Printer

- Build Area: 226 x 147 x 150mm
- Z-Layer Resolution: 50 - 300 microns
- Fast high quality prints

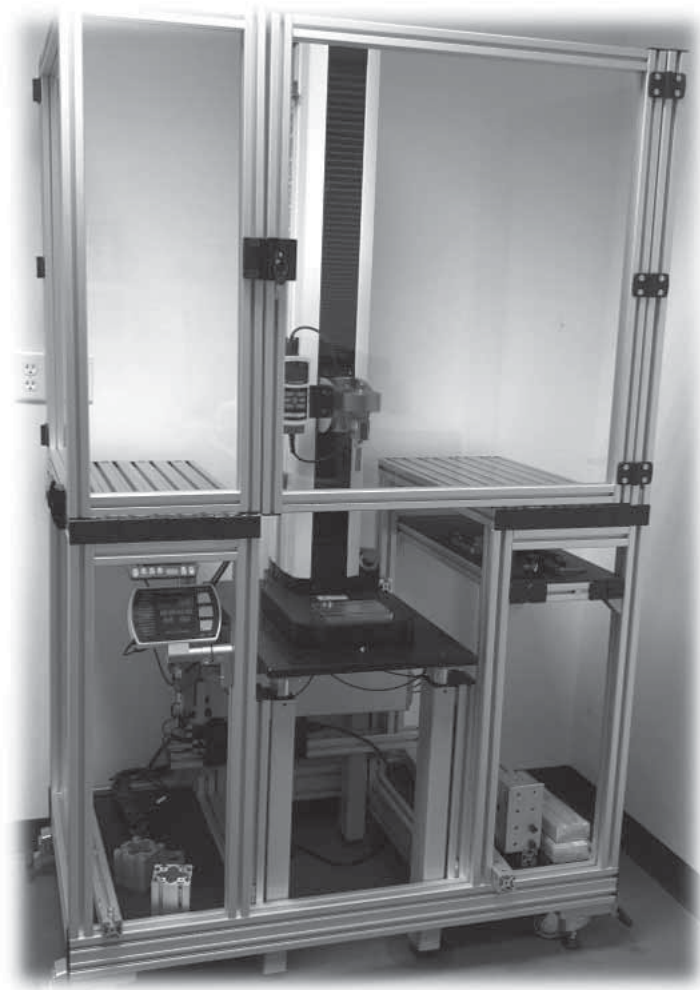


Formlabs Form3 3D SLA Printer

- Build Volume: 145 x 145 x 185 mm
- Z-Layer Resolution: 25 - 300 microns
- Seamless very high quality prints

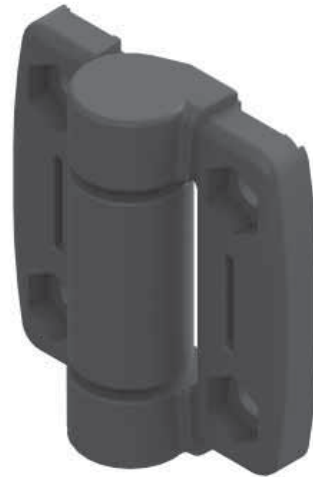
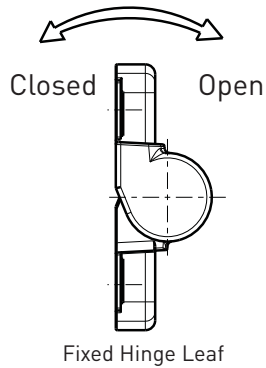
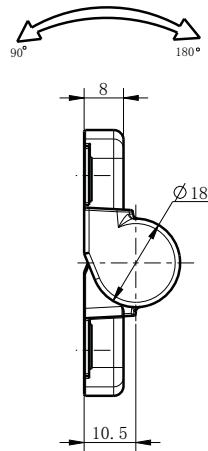
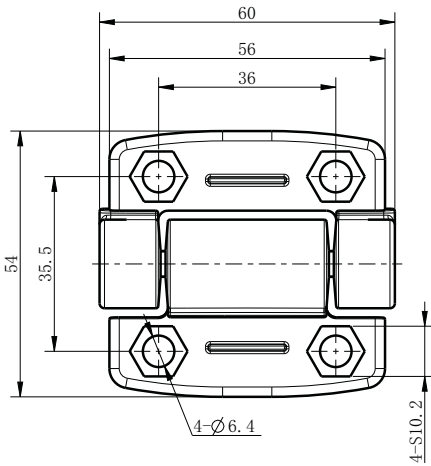
Mark-10 Force Test Stand ESM1500LC

- Load Capacity: 1,500 Pounds
- Maximum Travel Distance: 32 Inches
- Travel Accuracy: +/- 0.002 Inch Per 10 Inches
- Travel Resolution: 0.001 Inch



- Broad force range and clearance dimensions
- Compatible with load cells and force gauges
- USB output of force vs. time or force vs. distance
- Adjustable, removable control panel with intuitive menu navigation
- Unique modular function platform – select functions as required for the application
- Password protection of test parameters
- Stepper motor-driven, producing smooth and quiet operation with no speed variation under load
- Compact footprint, suitable for crowded workbenches
- Most electronics are housed in an integrated removable enclosure, easily accessed for service

Asymmetric Friction Hinge



Material

Hinge: PA6 with 30% Glass Fill

Pin: Steel

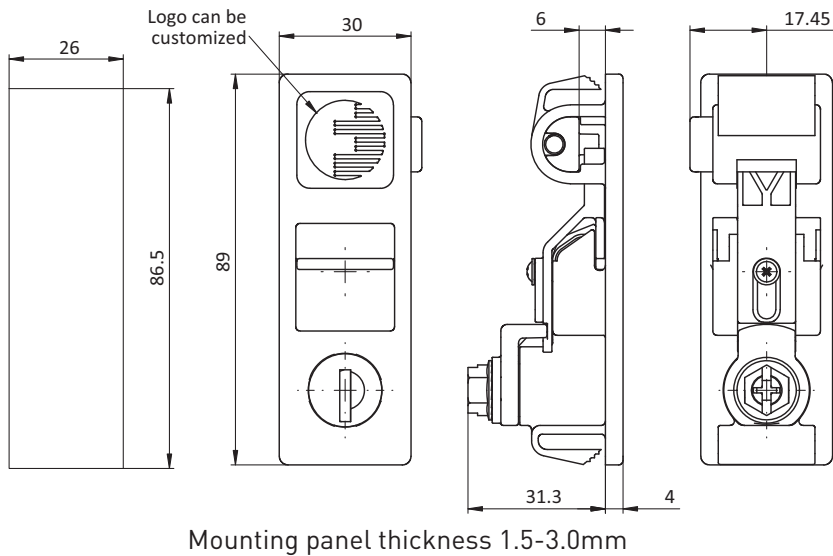
	Asymmetric Torque N-m (lb-in)		
	Open Torque	Close Torque	
Reversed	2.3 (20.4)	0.3 (2.7)	095SUF3030A00
Forward	0.3 (2.7)	2.3 (20.4)	095SCF3030A00

Cover Caps sold separately
 Part # 095SA30
 Quantity 2 required

Slam Latch

Benefits

- Slam to close
- Clip in assembly - no tools required
- Keyed and non-locking versions
- One finger opening
- Latches to the side of enclosure allowing for easy vertical positioning
- Left and right mounting versions available
- Location for Custom logo is available



Material

Escutcheon: PA6 30% glass filled

Bolt: Die cast zinc

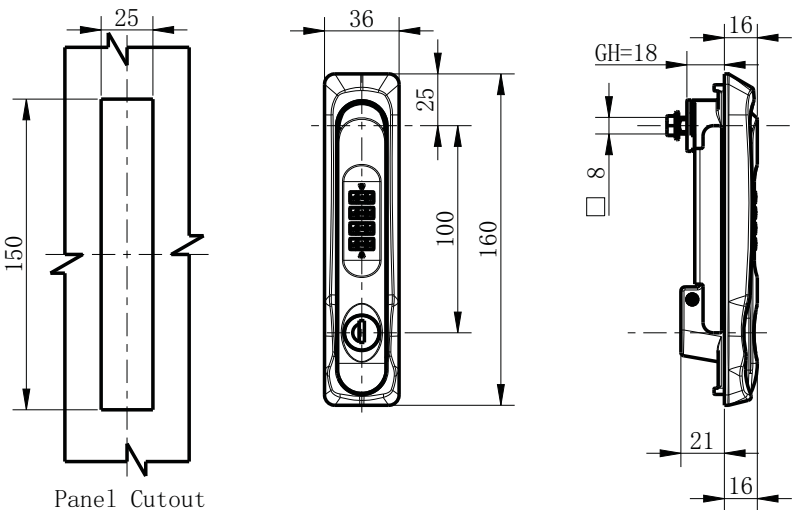
Slam Latch - Snap In	Lock	Left Hand	Right Hand
	Keyed FH333	0850197	0850197S02
	Keyed FH751	0850197S03	0850197S04
	Non Locking	0850197S05	0850197S06

Combination Swing Handle

Newly UPGRADED With Lost Combination Recovery Feature

Advantages:

- Easy to read dials
- Four tumblers for added security
- Die cast zinc handle for durability
- Easy to program combination
- Ergonomic handle
- Tamper proof design
- Other Key combinations available



Material & Finish:

DISH: PA6 with 30% Glass Fill, Color Black

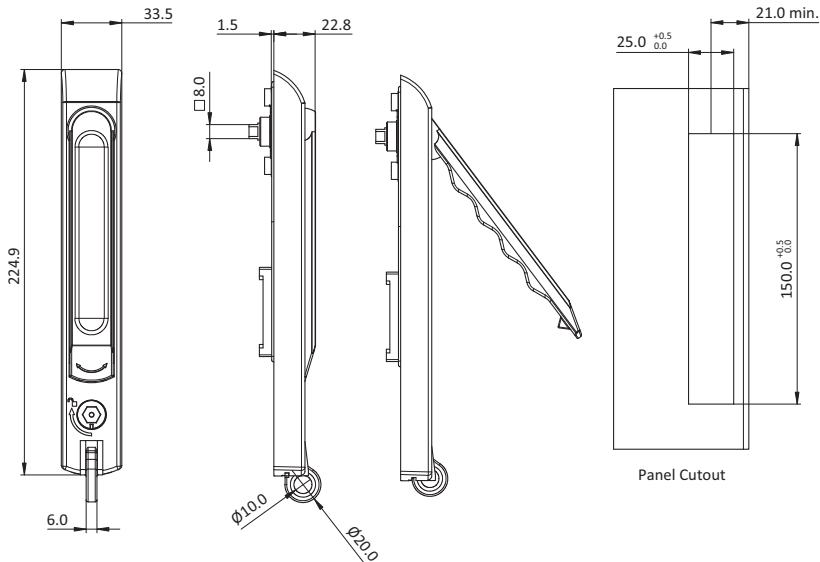
HANDLE: Die Cast Zinc, Black Powder Coated

Description	Part #
Keyed FH333	0850180
Custom Key Code Available Upon Request	0850180-XXXX

ERGOSAFE SWING HANDLE

Benefits

- Fits into existing door handle 25mm x 150mm cutout
- Security features of the ErgoSafe include the traditional protection of a Telco style tool lock, the added protection of a padlock and a **third** layer of vandal resistant technology unique to the industry (patent pending)
- Certified to Telcordia GR 487 R3-91[179] Torque test, R3-260[165] Salt Fog and IP65
- New Ergonomic Comfort Grip Handle



Material

Escutcheon: PA 30% glass filled

Handle: Die cast zinc

All other components: 316 Stainless Steel

Insert Type:	TELCO 216 C 5/16 Hex with 0.125 Pin	TELCO 216 C 7/16 Hex	8mm Triangular Insert
Cam control	0813478	0813479	0850184
rod control	0813179	0813475	0850185

LEVER HANDLE

Benefits

- Fits into existing door handle 25mm x 150mm cutout
- Standard FH333 cylinder lock. Other lock options available upon request
- Vertical lifting action disengages the latch opening and closing the door in a single motion
- One, two or three point cam options available
- Tool-less installation or dust cap mounting option
- New Ergonomic Comfort Grip Handle

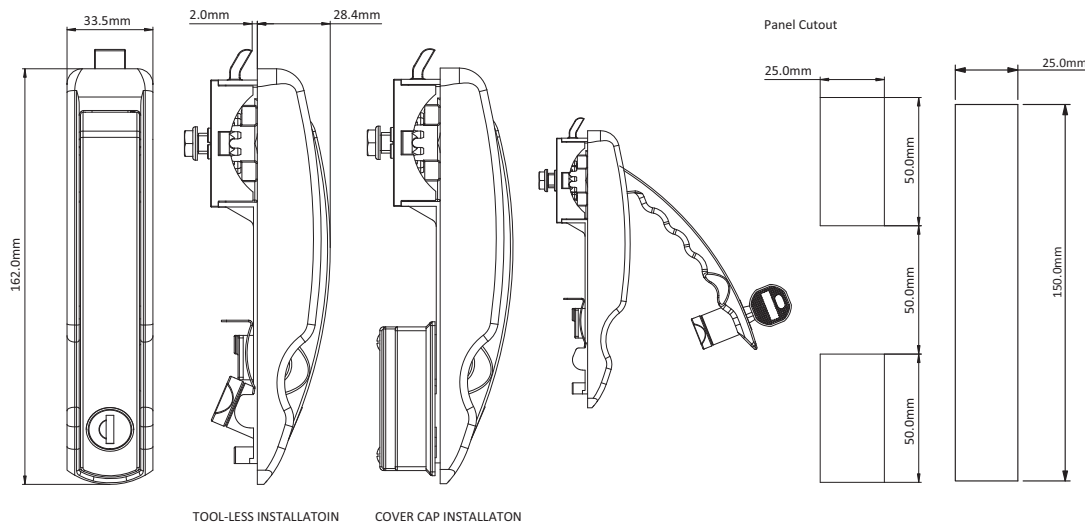
Material

Escutcheon: PA 30% glass filled

Handle: PA 30% glass filled

Gears: Die cast zinc

All other components: Zinc plated mild steel



Mounting panel thickness 1.0-2.0mm



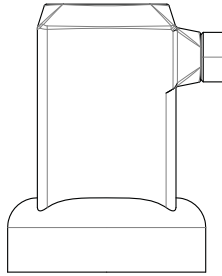
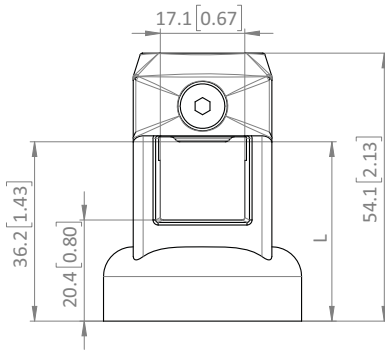
We can incorporate your company logo onto either the front or side of the handle upon request

Examples left

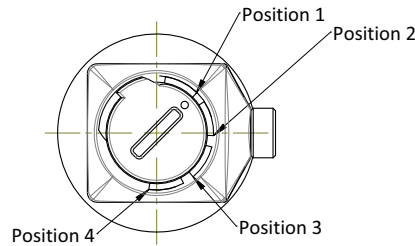
Key Options	Mounting Options	Standard Operation	Spring Assist Operation	Constant Friction Operation
FH333	Tool-Less Installation	0813569	0813569S01	0813569S02
	Dust Cap Installation	0850111	0850111S01	0850111S02
FH2233	Tool-Less Installation	0813569S04	0813569S05	0813569S03
	Dust Cap Installation	0850111S04	0850111S05	0850111S03

Rod Guide

With Adjustable Gasket Compression Feature



Position	L	
	Milimeters	Inch
1	36.2	1.43
2	34.6	1.36
3	33.1	1.30
4	31.5	1.24



- Four position adjustable rod guide with ball detent for quick gasket compression adjustment
- Attaches to any 1/4-20 x 0.50" long stud
- Material: PA 30
- For use with 0.375" x 0.625 or smaller rectangular rod system



Description

Use With 1/4-20 Stud
 Use Wiith M6 X 1 Stud

Part #

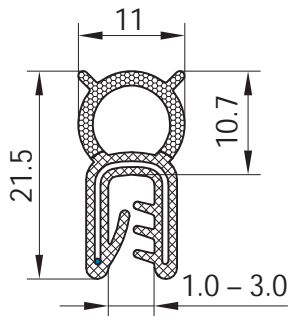
0850478
0850478S01

Blue EPDM Gasket Profiles

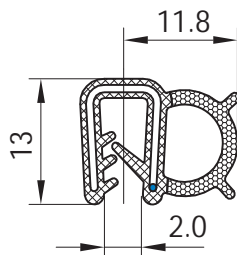
With Co-Extruded Steel Wire Carrier

BLUE COLOR

The blue color of the gaskets match the blue used in the food and beverage industry. Blue allows for easy visual inspection of the gasket surface for contaminants.



Material	Carrier	Color	Clamp Range (mm)	Pack Quantity (M)	Part #
EPDM/EPDM	Steel Wire	Blue	1.0-3.0	2 x 50	087SPET08911-BL

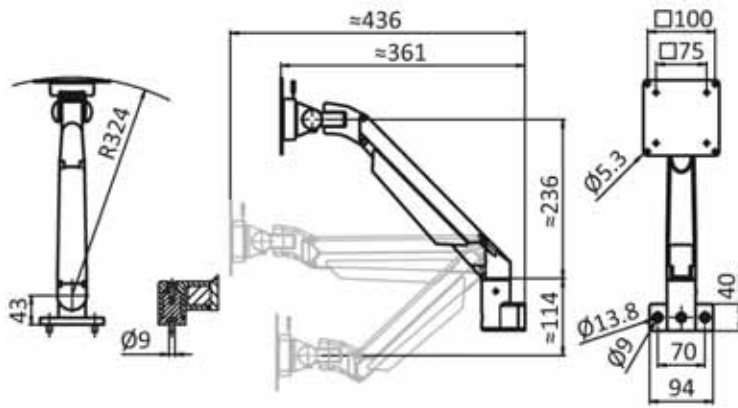


Material	Carrier	Color	Clamp Range (mm)	Pack Quantity (M)	Part #
EPDM/EPDM	Steel Wire	Blue	2.0	2 x 50	087SPES11911-BL

EPDM Ethylene-Propylene-Diene Monomer

Temperature range: -50 to +120 C. Excellent resistance to weather, aging, ozone, chemicals, hot water and steam. Good chemical resistance to polar fluids such as acetone and methanol. Outstanding electrical insulation on properties. Low steam permeability, good thermal resistance.

Monitor Support Four Axis



Description:

- Ready to use monitor support with flanged mounting plate for attaching on vertical or horizontal aluminum profiles
- Vertically pivotable 360 degrees
- For monitors with standard VESA connection (VESA 75 and 100)
- Adjustable 2 - 10 kg

Material:

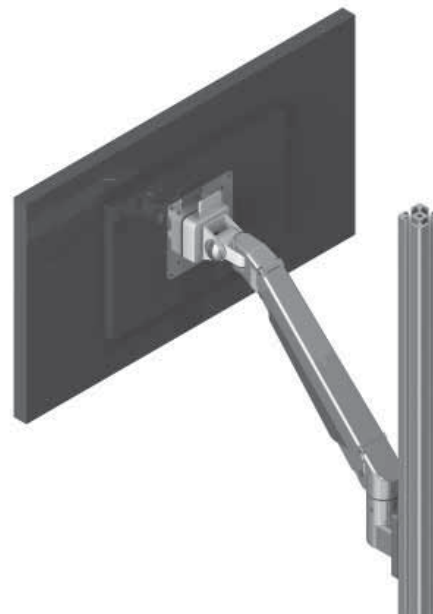
Monitor Support: Die cast Aluminum

Mounting Material: Steel

Surface:

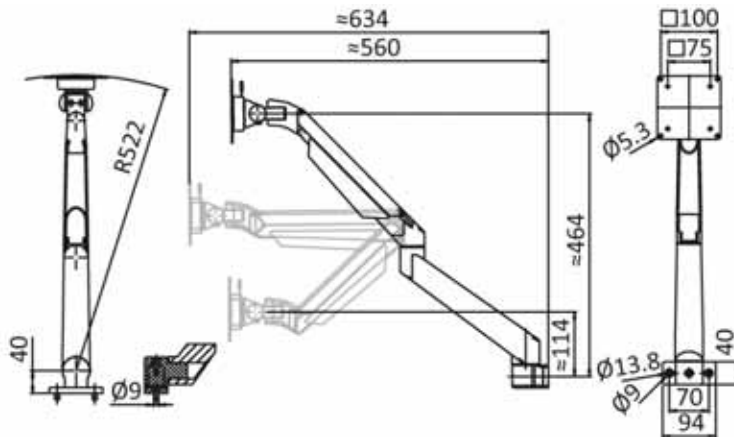
Monitor Support: Aluminum color powder coated

Mounting Material: Zinc plated



Max Load (kg)	Weight (g)	Profile	Part #
10.00	2200.0	I	6MHM75100S40

Monitor Support Five Axis



Description:

- Ready to use monitor support with flanged mounting plate for attaching on vertical or horizontal aluminum profiles
- Vertically pivotable 360 degrees
- For monitors with standard VESA connection (VESA 75 and 100)
- Adjustable 2 - 10 kg

Material:

Monitor Support: Die cast Aluminum

Mounting Material: Steel

Surface:

Monitor Support: Aluminum color powder coated

Mounting Material: Zinc plated

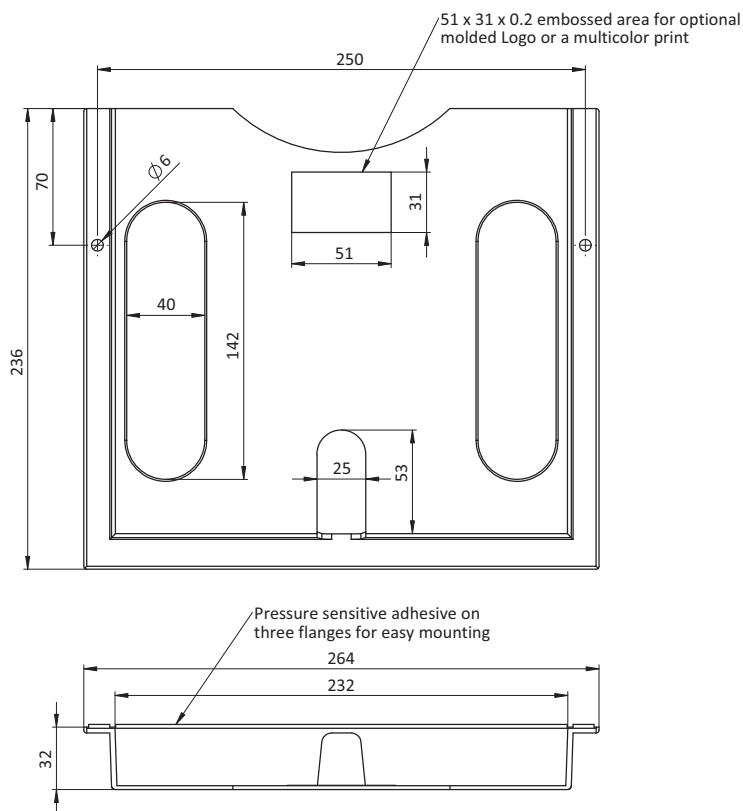


Max Load (kg)	Weight (g)	Profile	Part #
10.00	2550.0	I	6MHM75100D40

Document Pocket

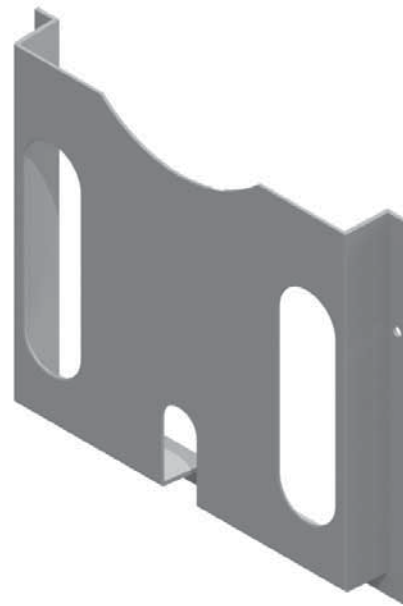
Benefits

- Easy storage of important documents
- Adhesive strip added for easy installation
- Two mounting holes provided for heavy duty applications



Material:

PS HI Grey

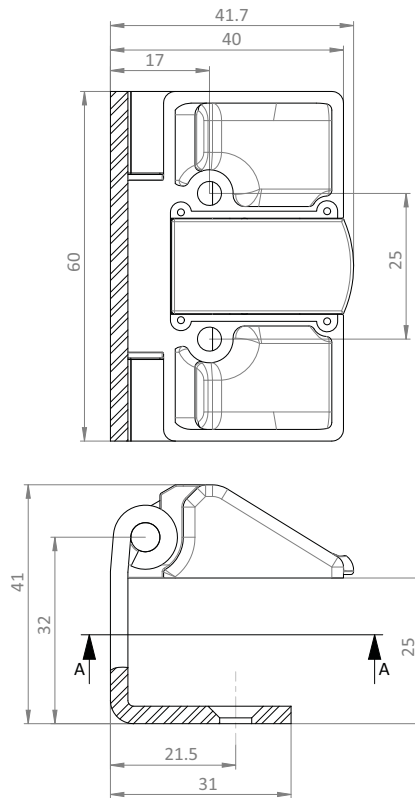


Part #

0890211

Semi-Concealed Hinge

Quick Install/Release



Material:

Frame Hinge Leaf: Mild Steel

Door Hinge Leaf: Die Cast Zinc

Hinge Pin: Mild Steel

Surface:

Hinge Leaves: Black Powder Coated

Hinge Pin: Zinc Plated

Description:

- Tool-less, Click-In installation
- Remove door by sliding bolt into detent

Black Powder Coated

0830204

INDUSTRIAL HARDWARE CHAPTER 1: **QUARTER TURN LOCKS**

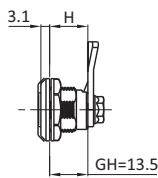


SMALL QUARTER TURN LOCKS	22
L-SHAPE QUARTER TURN LOCKS	23
SMALL QUARTER TURN LOCKS	24
SMALL KEYED QUARTER TURN LOCKS	25
SMALL WING KNOB QUARTER TURN LOCKS	26
VIBRATION RESISTANT QUARTER TURN LOCKS	28-29
ECONOMICAL QUARTER TURNS	30
QUARTER TURN LOCK INDUSTRY STANDARD	31
INDUSTRY STANDARD	31
QUARTER TURN LOCKS VIBRATION RESISTANT	32
SPRING STYLE QUARTER TURN LOCKS	33
HYGIENIC QUARTER TURN LOCKS	33
WING KNOB QUARTER TURN LOCKS	34
PAD LOCK COMPATIBLE QUARTER TURN LOCKS	35-36
LOW PROFILE QUARTER TURN LOCKS	37
WING KNOB QUARTER TURN LOCKS	37
T-HANDLE QUARTER TURN LOCKS	38
L - HANDLE LOCK	39
PAD LOCK COMPATIBLE L-HANDLE QUARTER TURN LOCKS	40
L-HANDLE QUARTER TURN LOCKS	40-41
PAD LOCK COMPATIBLE L-HANDLE QUARTER TURN LOCKS	42
L-HANDLE QUARTER TURN LOCK WITH DEFEATER FUNCTION	43
QUARTER TURN LOCKS EXTENDED HOUSING	44
QUARTER TURN LOCKS	46
STANDARD QUARTER TURN CAMS	47

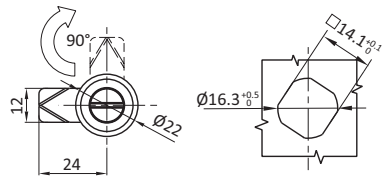
SMALL QUARTER TURN LOCKS

DESCRIPTION	For easy and secure latching and locking of doors and flaps. Wide range of inserts, cams, and accessories.
MATERIAL	Die-cast zinc
SURFACE	Black powder coated / chrome plated
SPECIALS	Right and left IP65 / NEMA 4

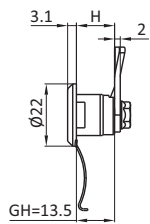
With Nut Mounting



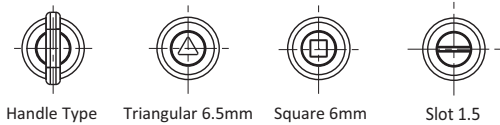
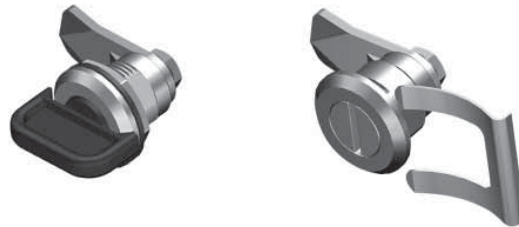
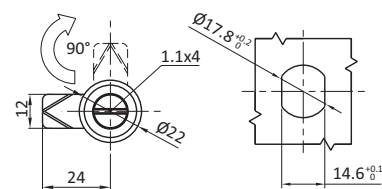
Panel Cutout A



With Spring Fixing Plate



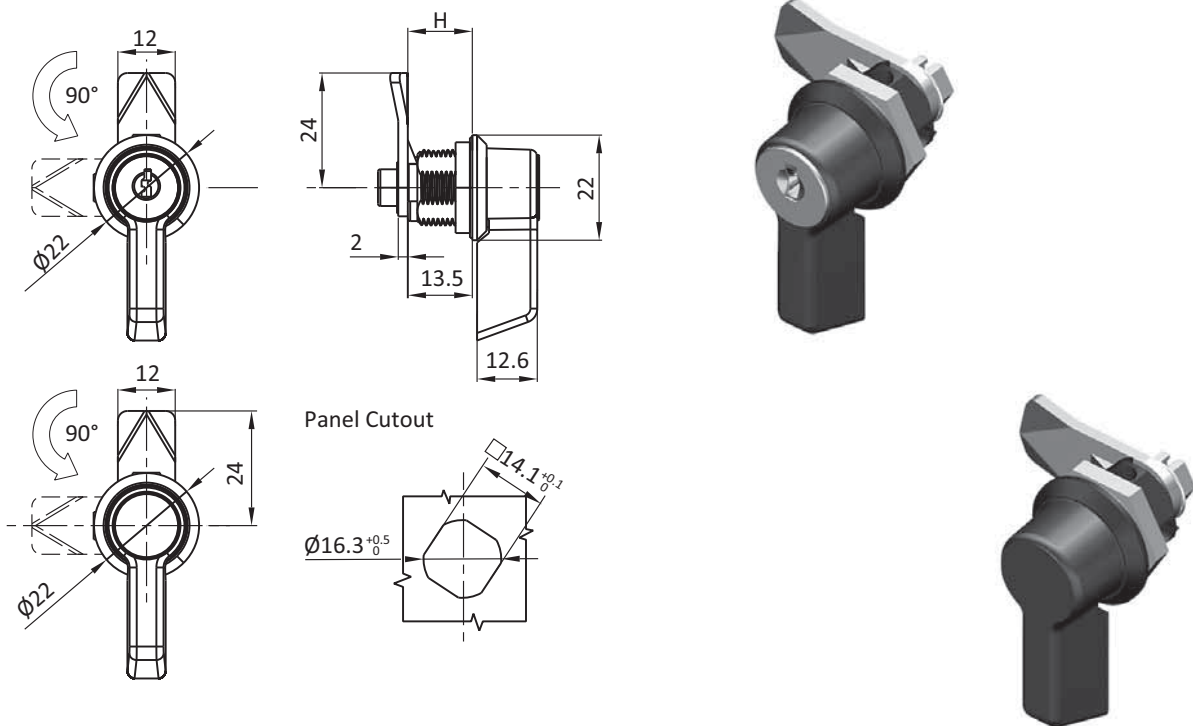
Panel Cutout B



Small Quarter Turn Locks	Cylinder style	Cam style	Die-cast Zinc, black powder coated	Die-cast Zinc, chrome plated	316 SS
Nut mounting Cutout Panel A	Square 6.0mm	H = 7.5 mm	0810448	0810447	0810591
		H = 13.5 mm	0810596	0810595	0810597
		H = 19.5 mm	0810608	0810607	0810609
	Triangular 6.5mm	H = 7.5 mm	0810450	0810449	0810592
		H = 13.5 mm	0810599	0810598	0810600
		H = 19.5 mm	0810611	0810610	0810612
	Slot 1.5mm	H = 7.5 mm	0810452	0810451	0810593
		H = 13.5 mm	0810602	0810601	0810603
		H = 19.5 mm	0810614	0810613	0810615
	Handle type	H = 7.5 mm	0810454	0810453	0810594
		H = 13.5 mm	0810605	0810604	0810606
		H = 19.5 mm	0810617	0810616	0810618
Spring mounting Cutout Panel B	Square 6.0mm	H = 7.5 mm			0810621
		H = 13.5 mm			
		H = 19.5 mm			
	Slot 1.5mm	H = 7.5 mm		0810625	
		H = 13.5 mm			
		H = 19.5 mm			

L-SHAPE QUARTER TURN LOCKS

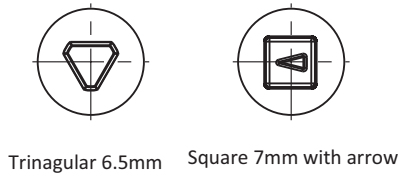
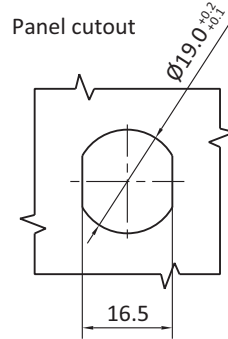
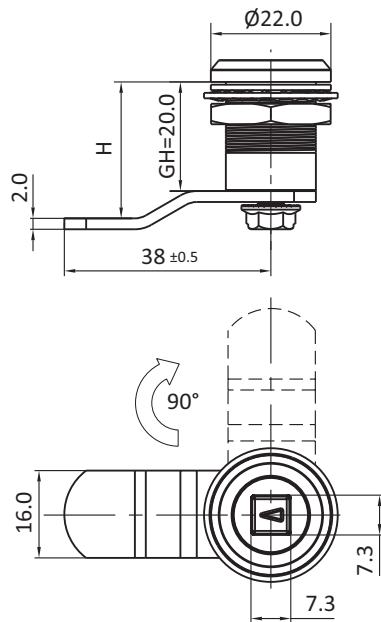
DESCRIPTION	For easy and secure latching and locking of doors and flaps. Wide range of inserts, cams, and accessories.
MATERIAL	Die-cast zinc
SURFACE	Black powder coated / chrome plated
SPECIALS	Key code FH2233 Keyed different on request FH751 key code on request



L-Shape Quarter Turn Lock	H Dimension [mm]	Die-cast Zinc, black powder coated	Die-cast Zinc, chrome plated
Non-locking	7.5	0810455	0810456
	13.5	0811005	0811009
	19.5	0811006	0811010
Key locking	7.5	0810457	0810458
	13.5	0811007	0811011
	19.5	0811008	0811012

SMALL QUARTER TURN LOCKS

DESCRIPTION	For easy and secure latching and locking of doors and flaps. Wide range of cams and accessories.
MATERIAL	Die-cast zinc
SURFACE	Nickel Plate
SPECIALS	Right and left



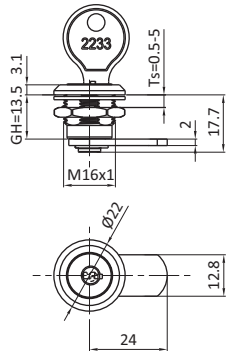
Push To Close Quarter Turn Locks

Cylinder Style

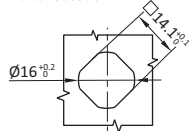
GH = 20
Die-cast Zinc

Non-locking	Square 7mm with arrow	0810666
	Triangular 6.5mm	0810667

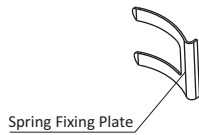
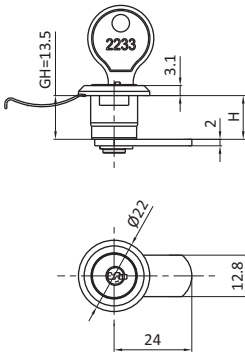
SMALL KEYED QUARTER TURN LOCKS



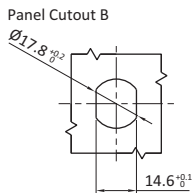
Panel Cutout



DESCRIPTION	For easy and secure latching and locking of doors and flaps. Wide range of inserts, cams, and accessories. Key code 2233
MATERIAL	Die-cast zinc
SURFACE	Black powder coated / chrome plated
SPECIALS	Key code FH2233

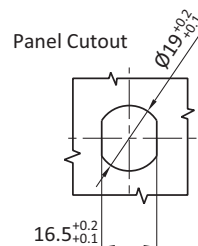
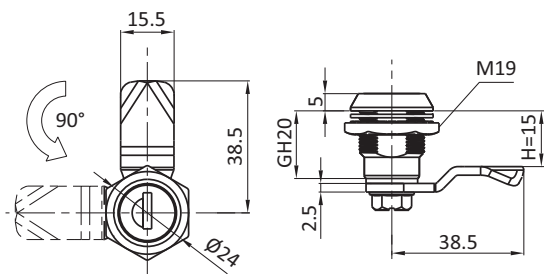


Spring Fixing Plate



Quarter Turn Locks	Nut Mounting	Nut Mounting	Spring Mounting	Spring Mounting
H Dimension	Black Powder Coated	Bright Chrome Plated	Black Powder Coated	Bright Chrome Plated
13.5mm	0850254	0850255	0850256	0850257
19.5mm	0850258	0850259	0850260	0850261

Chapter 5 and 9 for accessories



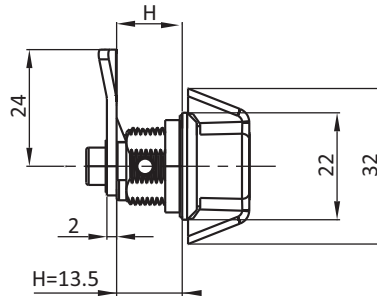
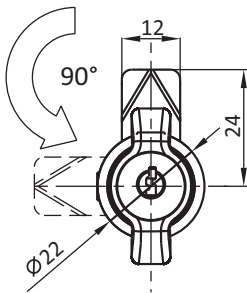
Quarter Turn Locks	Key locking	Die-cast Zinc, black powder coated	Die-cast Zinc, chrome plated
		0810714	0810715

Keyed different on request
 FH751 key code on request

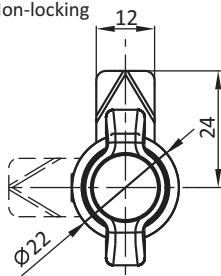
SMALL WING KNOB QUARTER TURN LOCKS

DESCRIPTION	For easy and secure latching and locking of doors and flaps. Wide range of inserts, cams, and accessories.
MATERIAL	Die-cast zinc
SURFACE	Black powder coated / chrome plated
SPECIALS	Right and left IP65 / NEMA 4

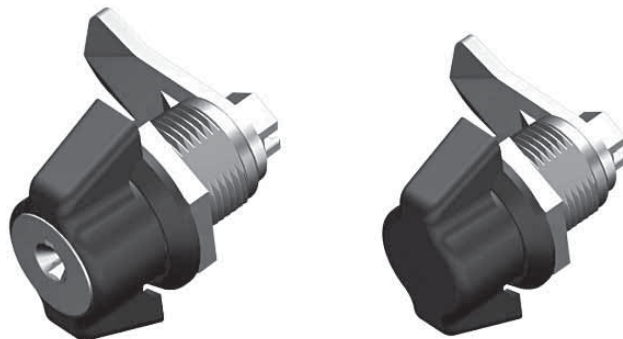
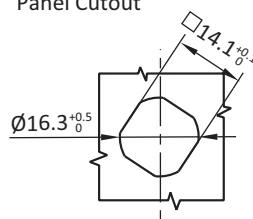
Key Locking



Non-locking

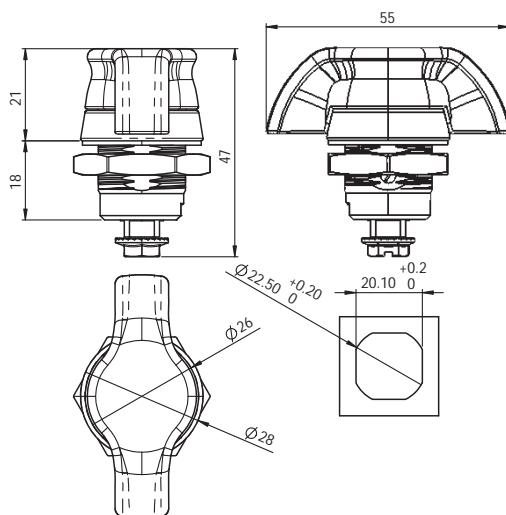
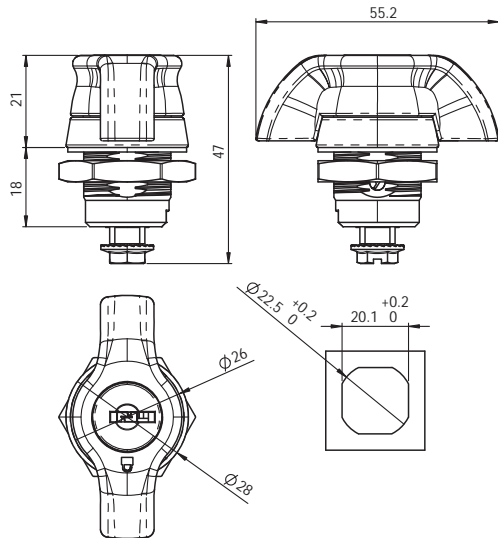


Panel Cutout



Small Wing Knob Quarter Turn Lock	H Dimension [mm]	Die-cast Zinc, black powder coated	Die-cast Zinc, chrome plated
Non-locking	7.5	0810177S03	0810175S01
	13.5	0810177S01	0810175
	19.5	0810177S04	0810175S02
Key locking	7.5	0810176S05	0810174S01
	13.5	0810176	0810174
	19.5	0810176S06	0810174S02

DESCRIPTION	For easy and secure latching and locking of doors and flaps. Wide range of inserts, cams, and accessories.
MATERIAL	Die-cast zinc
SURFACE	Black powder coated / chrome plated
SPECIALS	Right and left

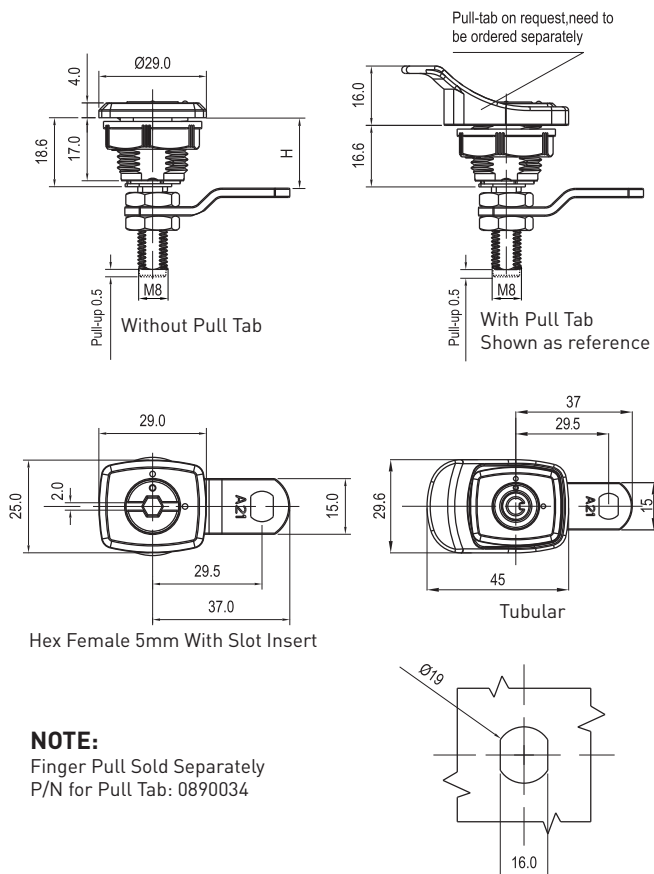


	Stainless Steel
FH333 LOCKING	0810168S03
NON LOCKING	0810169S03

Compatible cams see pages 47, 213-228
 Chapter 5 and 9 for accessories

VIBRATION RESISTANT QUARTER TURN LOCKS

DESCRIPTION	For easy and secure latching and locking of doors and flaps. Wide range of cams and accessories.
MATERIAL	Die-cast zinc Housing and pull: PA Cam: Mild Steel
SURFACE	Black powder coated / chrome plated Cam: Zinc plated
SPECIALS	Right and left



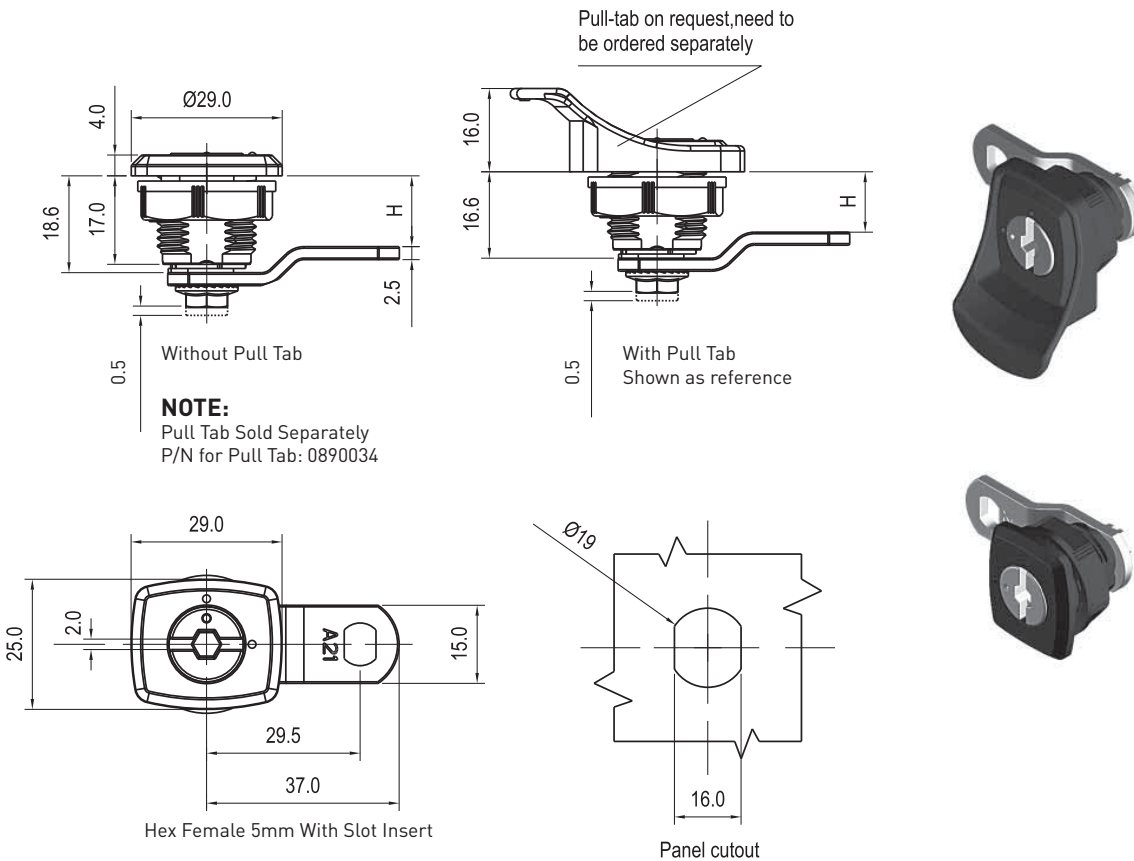
Grip Range MIN - MAX

Shaft Style	Cylinder Style	without Pull Tab		with Pull Tab		Part #
		Cam forward	Cam reversed	Cam forward	Cam reversed	
Long Shaft	Hex female 5mm with slot insert	19-28	29-38	17-26	37-36	0811025
		14-23	34-43	17-21	32-34	0811026
		9-18	39-48	7-16	37-46	0811027
Long Shaft	Tubular	24-33 Flat Cam		22-31 Flat Cam		0811028
		19-28	29-38	17-26	37-36	0810708
		14-23	34-43	17-21	32-34	0850204
		9-18	39-48	7-16	37-46	0850205
		24-33		22-31		0850206



VIBRATION RESISTANT QUARTER TURN LOCKS

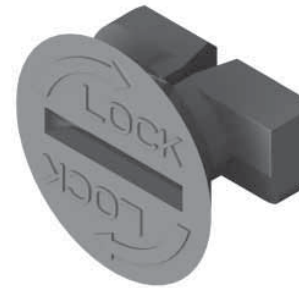
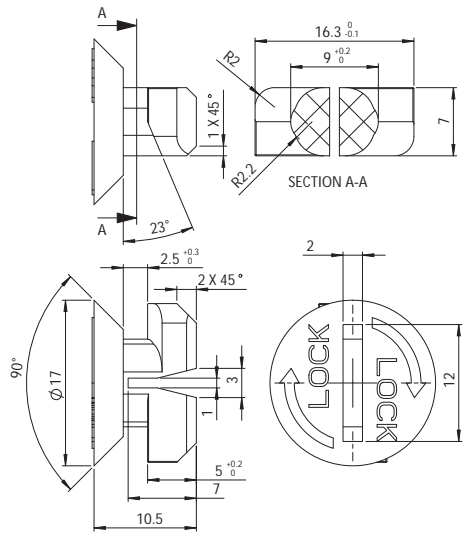
DESCRIPTION	For easy and secure latching and locking of doors and flaps. Wide range of cams and accessories.
MATERIAL	Die-cast zinc Housing and pull: PA Cam: Mild Steel
SURFACE	Black powder coated / chrome plated Cam: Zinc plated
SPECIALS	Right and left



Grip Range MIN – MAX						
Shaft Style	Cylinder Style	without Pull Tab		with Pull Tab		Part #
		Cam forward	Cam reversed	Cam forward	Cam reversed	
Short Shaft	Hex female 5mm with slot insert	13.6	23.6	11.6	21.6	0811029
		8.6	28.6	6.6	26.6	0811030
		3.6	33.6	1.6	31.6	0811031
		18.6		22-31		0811032

ECONOMICAL QUARTER TURNS

DESCRIPTION	For easy and secure latching and locking of doors and flaps. Wide range of inserts, cams, and accessories.
MATERIAL	Hostaform POM C13021 Color RAL 7042 Gray
SPECIALS	Right and left



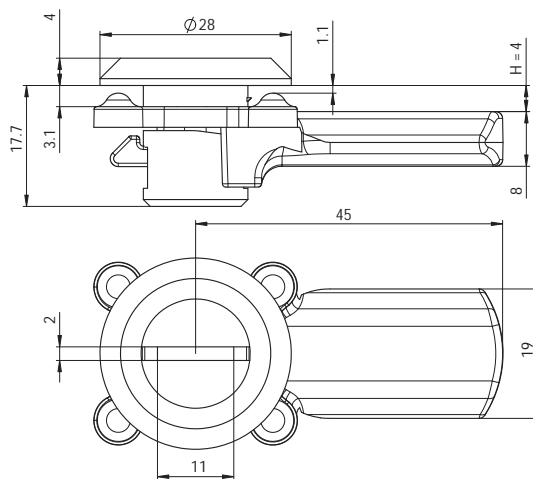
Drive Style

2 x 12 Slot

Part #

0810534CP01

DESCRIPTION	For easy and secure latching and locking of doors and flaps. Wide range of inserts, cams, and accessories.
MATERIAL	Housing: PA6 30 Cam: Zinc plated spring steel
SPECIALS	Right and left IP65 / NEMA 4



Other H dimensions available upon request

- Tool-less installation
- 90 Degree stop



Drive Style

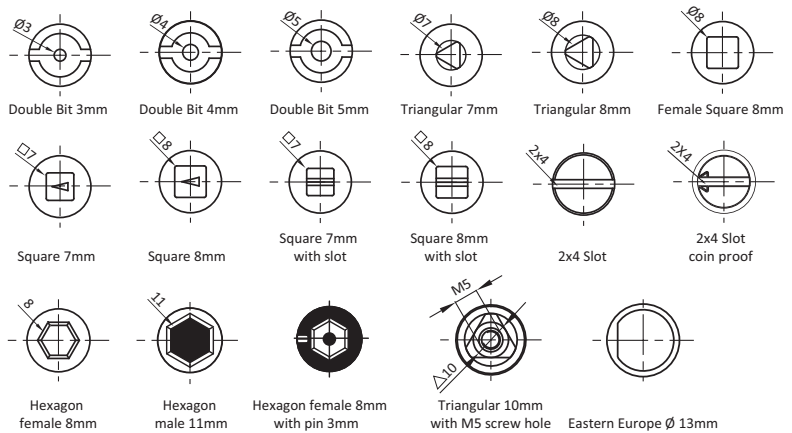
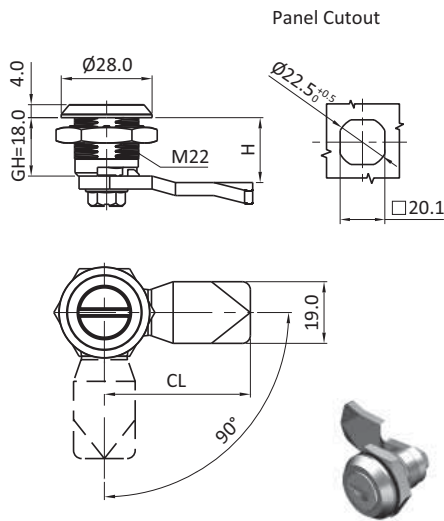
2 x 16 Slot

Part #

0814601-04

QUARTER TURN LOCK INDUSTRY STANDARD

DESCRIPTION	For easy and secure latching and locking of doors and flaps. Wide range of inserts, cams, and accessories.
MATERIAL	Die-cast zinc / 304 stainless steel / PA
SURFACE	Black powder coated / chrome plated
SPECIALS	Right and left IP65 / NEMA 4



INDUSTRY STANDARD

Insert Type	Die-cast Zinc, black powder coated	Die-cast Zinc, chrome plated	PA Housing with Die-cast Zinc Insert	SS 316
Double bit 3mm	0810142	0810124	0810534	0810159
Double bit 4mm	0810143	0810125	0810535	0810160
Double bit 5mm	0810144	0810126	0810536	0810161
Slot 2 x 4	0810145	0810127	0810537	0810127E
Slot 2 x 4 Coin Proof	0810145S01	0810145S02	0810538	
Triangular 7mm	0810146	0810128	0810539	0810162
Triangular 8mm	0810147	0810129	0810540	0810163
Square 6mm	0810554	0810555	0810541	
Square 7mm	0810148	0810130	0810542	0810164
Square 8mm	0810149	0810131	0810543	0810165
Square with slot 7mm	0810150	0810132	0810544	
Square with slot 8mm	0810151	0810133	0810545	
Female square 7mm	0810152	0810134	0810546	
Female hexagon 8mm	0810153	0810135	0810547	
Female hexagon 9mm	0810153S01	0810135S01	0810548	
Female hexagon 10mm	0810561	0810560	0810549	
Female hexagon 8mm with 3 mm pin	0810154	0810136	0810550	
Male hexagon 11mm	0810155	0810137	0810551	
Eastern Europe 13mm	0810556	0810557	0810552	
Triangular with M5 Screw Hole 10mm	0810558	0810559	0810553	
Keyed FH333	0810141	0810123		0810123E

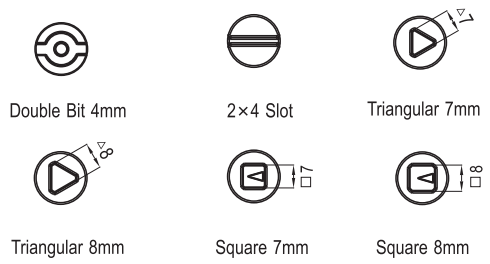
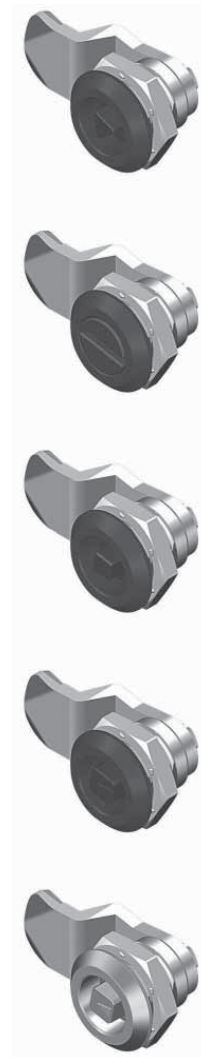
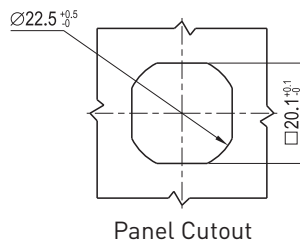
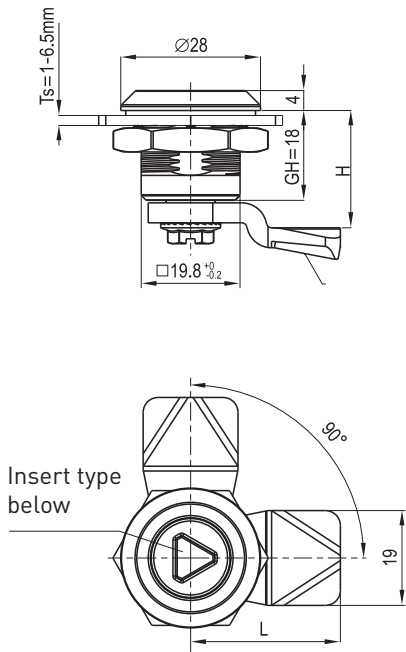
Compatible cams see pages 47, 213-228
 Chapter 5 and 9 for accessories

Custom Quarter Turns Available

QUARTER TURN LOCKS VIBRATION RESISTANT

DESCRIPTION	For easy and secure latching and locking of doors and flaps. Wide range of inserts, cams, and accessories.
MATERIAL	Die-cast zinc
SURFACE	Black powder coated / chrome plated
SPECIALS	Right and left IP65 / NEMA 4

NEW

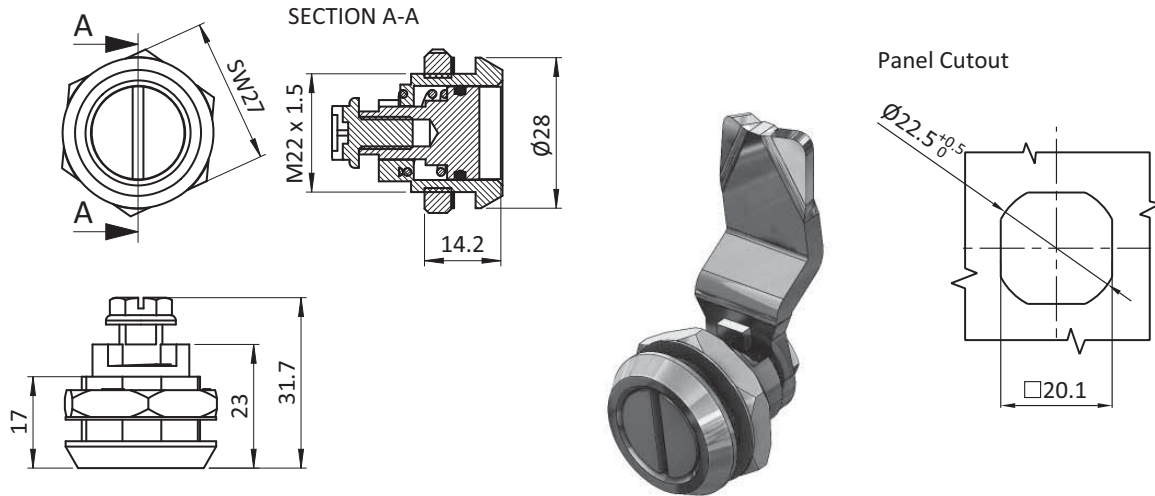


Insert Type	Die-cast Zinc, black powder coated	Die-cast Zinc, chrome plated
Double Bit 4mm	0850207	0850213
Slot 2mm x 4mm	0850208	0850214
Triangular 7mm	0850209	0850215
Triangular 8mm	0850210	0850216
Square 7mm	0850211	0850217
Square 8mm	0850212	0850218

Compatible cams see pages 47, 213-228
 Chapter 5 and 9 for accessories

SPRING STYLE QUARTER TURN LOCKS

DESCRIPTION	For easy and secure latching and locking of doors and flaps. Wide range of cams and accessories.
MATERIAL	316 SS



Spring Style Quarter Turn Locks

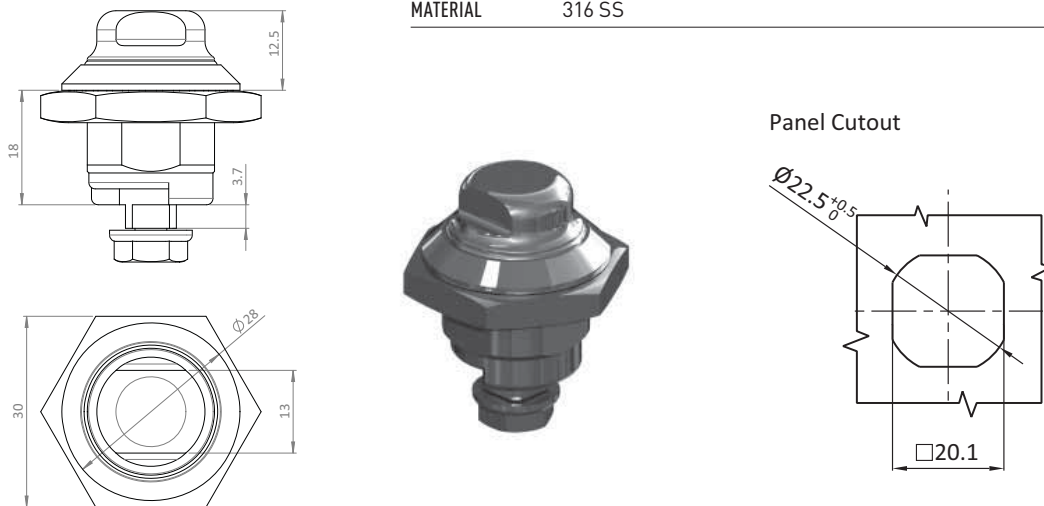
Stainless Steel

2 x 4 slot

0810127E501

HYGIENIC QUARTER TURN LOCKS

DESCRIPTION	For easy and secure latching and locking of doors and flaps. Wide range of cams and accessories.
MATERIAL	316 SS

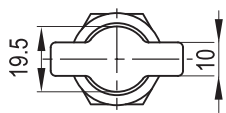
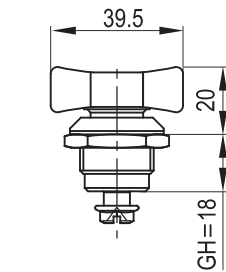


Stainless Steel

SW13 INSERT

0812150E

WING KNOB QUARTER TURN LOCKS



Wingknob

DESCRIPTION	For easy and secure latching and locking of doors and flaps. Wide range of inserts, cams, and accessories.
MATERIAL	Die-cast zinc Cam: Mild steel
SURFACE	Black powder coated / chrome plated Cam: Zinc plated
SPECIALS	Right and left



Quarter Turn Locks

Wing knob

Die-cast Zinc,
black powder coated

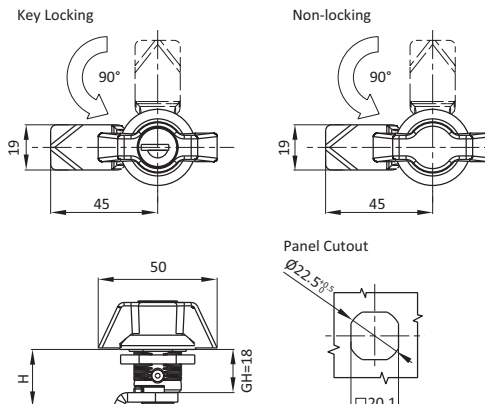
0810156

Die-cast Zinc,
chrome plated

0810138

Compatible cams see pages 47, 213-228
 Chapter 5 and 9 for accessories

WING KNOB QUARTER TURN LOCKS



DESCRIPTION	For easy and secure latching and locking of doors and flaps. Wide range of inserts, cams, and accessories.
MATERIAL	Die-cast zinc / 316 SS
SURFACE	Black powder coated / chrome plated
SPECIALS	Right and left Keyed different on request FH751 Key code on request



Wing Knob Quarter Turn Locks

FH333 Key locking

Non-locking

Die-cast Zinc,
black powder coated

0810168

0810169

Die-cast Zinc,
chrome plated

0810166

0810167

316 SS

0810166E

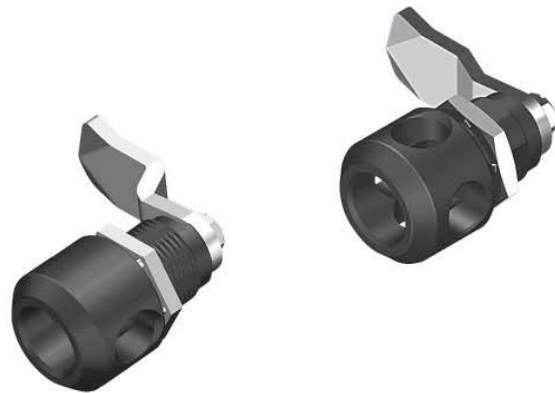
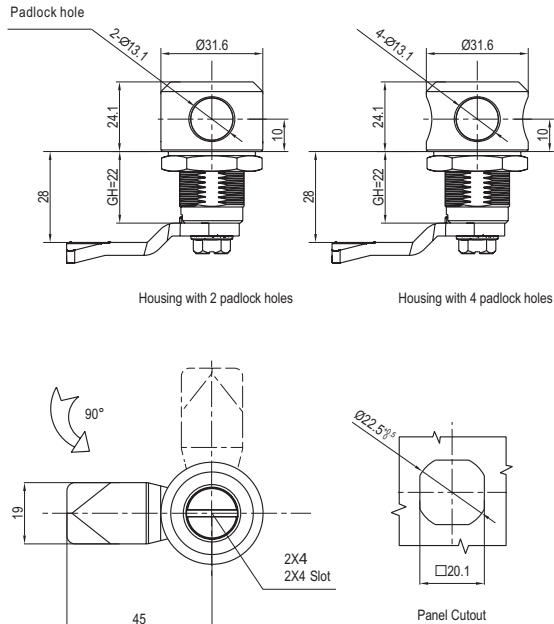
0810167E

Compatible cams see pages 47, 213-228
 Chapter 5 and 9 for accessories



PAD LOCK COMPATIBLE QUARTER TURN LOCKS

DESCRIPTION	For easy and secure latching and locking of doors and flaps with padlock option. Wide range of inserts, cams, and accessories. Two and four padlock holes.
MATERIAL	Die-cast zinc / stainless steel
SURFACE	Black powder coated
SPECIALS	Right and left

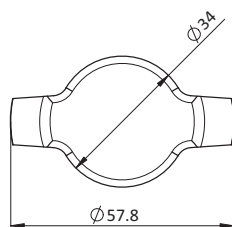
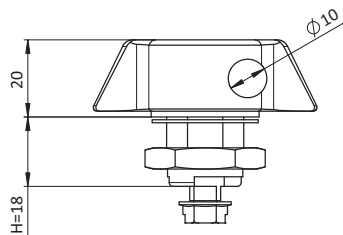
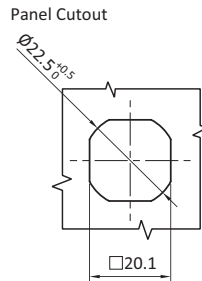
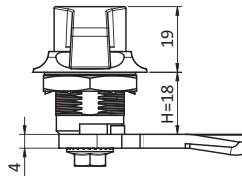
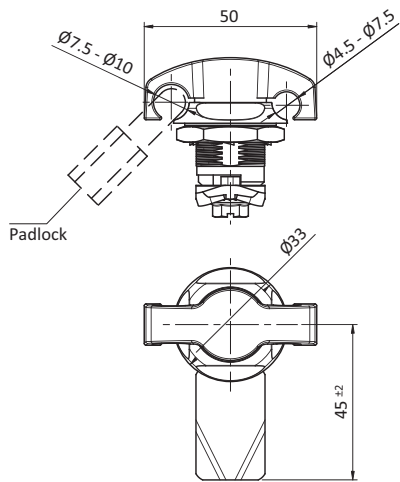


Pad Lock Compatible Quarter Turn Locks	Insert Type	GH = 22	GH = 22
		Die-cast Zinc black powder coated	Full 316 SS
Housing with two padlock holes	Double bit 3mm	0810571	0810579
	Double bit 4mm	0810572	0810580
	Double bit 5mm	0810573	0810581
	Slot 2 X 4	0810574	0810582
	Triangular 7mm	0810575	0810583
	Triangular 8mm	0810576	0810584
	Square 7mm	0810577	0810585
	Square 8mm	0810578	0810586
Housing with four padlock holes	Double bit 3mm	0812142	0812142E
	Double bit 4mm	0812143	0812143E
	Double bit 5mm	0812144	0812144E
	Slot 2 X 4	0812145	0812145E
	Triangular 7mm	0812146	0812146E
	Triangular 8mm	0812147	0812147E
	Square 7mm	0812148	0812148E
	Square 8mm	0812149	0812149E

Compatible cams see pages 47, 213-228
 Chapter 5 and 9 for accessories

PAD LOCK COMPATIBLE QUARTER TURN LOCKS

DESCRIPTION	For easy and secure latching and locking of doors and flaps. Wide range of cams and accessories.
MATERIAL	Die-cast zinc / stainless steel
SURFACE	Black powder coated / chrome plated
SPECIALS	Right and left IP65 / NEMA 4

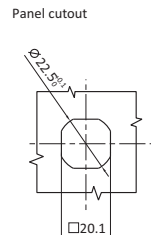
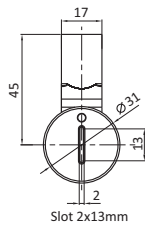
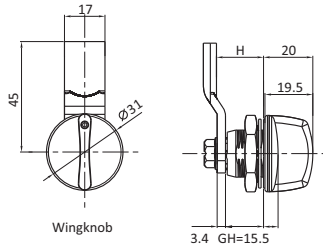


	Die-cast Zinc, black powder coated	Die-cast Zinc, chrome plated	Stainless steel
Dual Padlock Hole	0810182	0810376	0810182E
Single Padlock Hole	0810182S01		

Compatible cams see pages 47, 213-228
 Chapter 5 and 9 for accessories

LOW PROFILE QUARTER TURN LOCKS

DESCRIPTION	For easy and secure latching and locking of doors and flaps. Wide range of cams and accessories.
MATERIAL	Die-cast zinc Cam: Mild steel
SURFACE	Black powder coated / chrome plated Cam: Zinc plated
SPECIALS	Right and left IP65 / NEMA 4

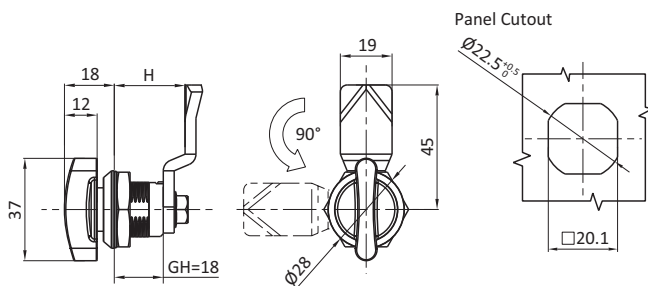


Insert Type	Die-cast Zinc, black powder coated	Die-cast Zinc, chrome plated
Short Wing Knob	0811017	0811020
Long Wing Knob	0811018	0811021
Slot 2 x 4	0811019	0811022

Compatible cams see pages 47, 213-228
 Chapter 5 and 9 for accessories

WING KNOB QUARTER TURN LOCKS

DESCRIPTION	For easy and secure latching and locking of doors and flaps. Wide range of cams and accessories.
MATERIAL	Die-cast zinc/316 SS
SURFACE	Black powder coated / chrome plated
SPECIALS	Right and Left IP65 / NEMA 4

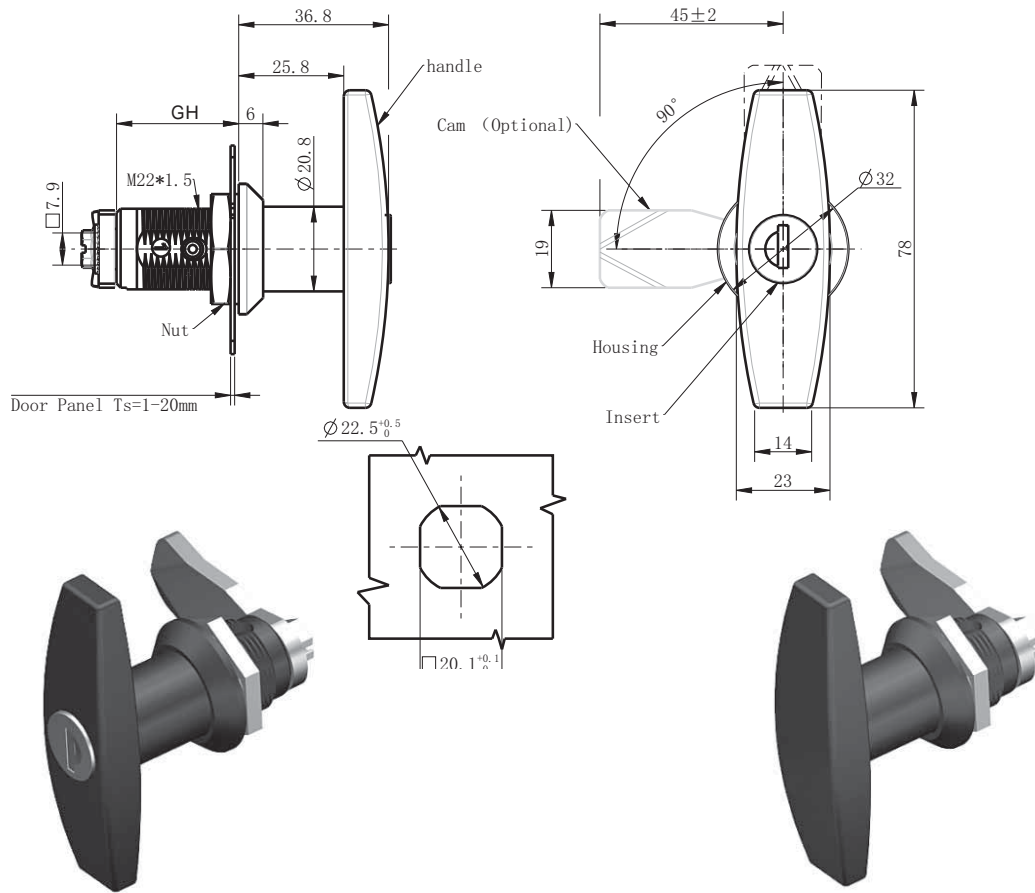


Insert Type	Die-cast Zinc, black powder coated	Die-cast Zinc, chrome plated
Quarter Turn Lock Small Wing	0810725	0810726

Compatible cams see pages 47, 213-228
 Chapter 5 and 9 for accessories

T-HANDLE QUARTER TURN LOCKS

DESCRIPTION	For easy and secure latching and locking of doors and flaps. Wide range of inserts, cams, and accessories.
MATERIAL	Die-cast zinc / stainless steel / PA
SURFACE	Black powder coated / chrome plated
SPECIALS	Right and left IP65 / NEMA 4



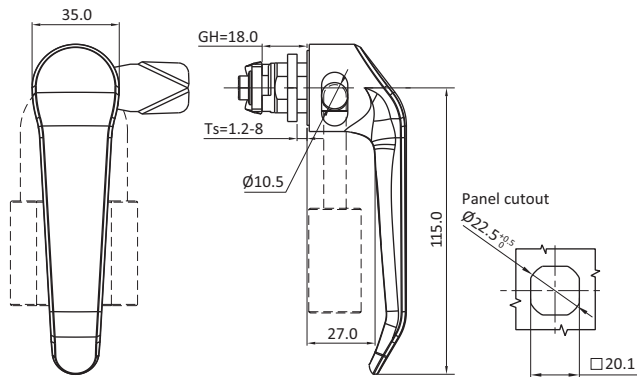
T-Handle Quarter Turn Locks	GH	Die-cast Zinc, black powder coated	Die-cast Zinc, chrome plated	PA	316 Stainless Steel
Key locking		0810103	0810105	0810002	0810105E
Non-locking	18	0810104	0810106	0810001	0810107
Phillips Insert		0810103S01			
Key locking		0810103S02	0810105S01		
Non-locking	30	0810104S01	0810106S02		
Key locking		0810103S05			
Non-locking	40	0810104S04			
Key locking		0810103S03	0810105S02		
Non-locking	50	0810104S02	0810106S03		
Key locking		0810103S04	0810105S03		
Non-locking	60	0810104S03	0810106S04		

Compatible cams see pages 47, 213-228
 Chapter 5 and 9 for accessories
 Keyed differently on request
 FH751 key code on request



L - HANDLE LOCK

DESCRIPTION	For easy and secure latching and locking of doors and flaps. Wide range of cams and accessories.
MATERIAL	316 SS, Die Cast zinc
SPECIALS	Pad lock compatible



Quarter Turn Locks

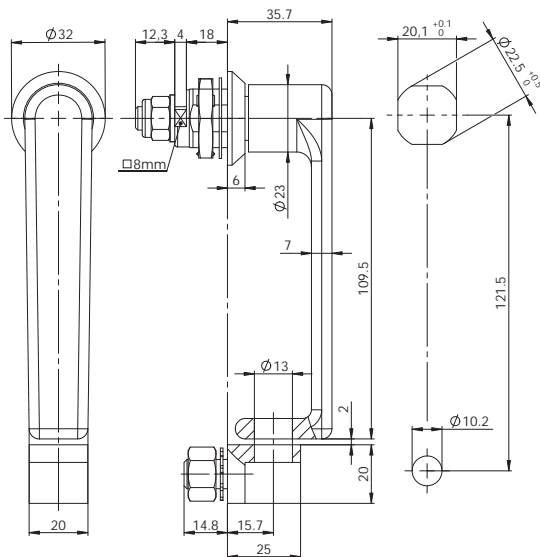
Die cast Zinc/Black Powder coat

316 Stainless Steel

0811038S01

0811038

DESCRIPTION	For easy and secure latching and locking of doors and flaps. Wide range of cams and accessories.
MATERIAL	316 SS, Die Cast zinc
SPECIALS	Pad lock compatible



Quarter Turn Locks

Die cast Zinc/Black Powder coat

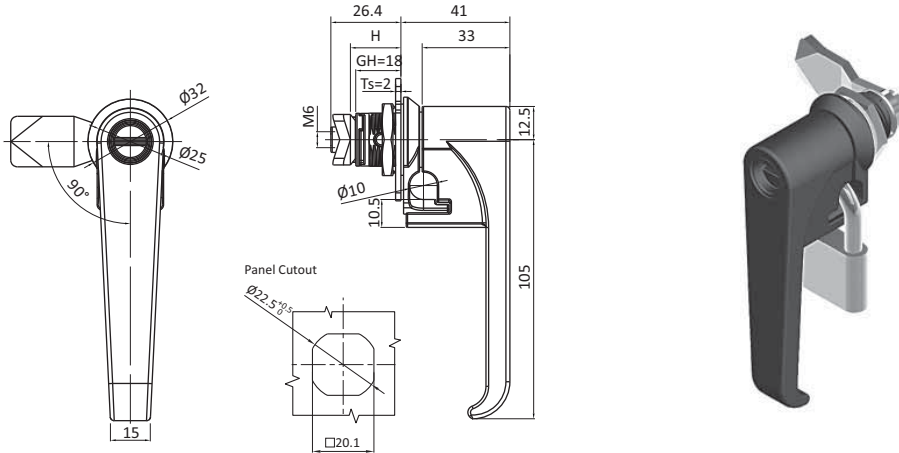
316 Stainless Steel

0810393

0810393E

PAD LOCK COMPATIBLE L-HANDLE QUARTER TURN LOCKS

DESCRIPTION	For easy and secure latching and locking of doors and flaps. Wide range of inserts, cams, and accessories.
MATERIAL	Die-cast zinc
SURFACE	Black powder coated / chrome plated
SPECIALS	Right and left

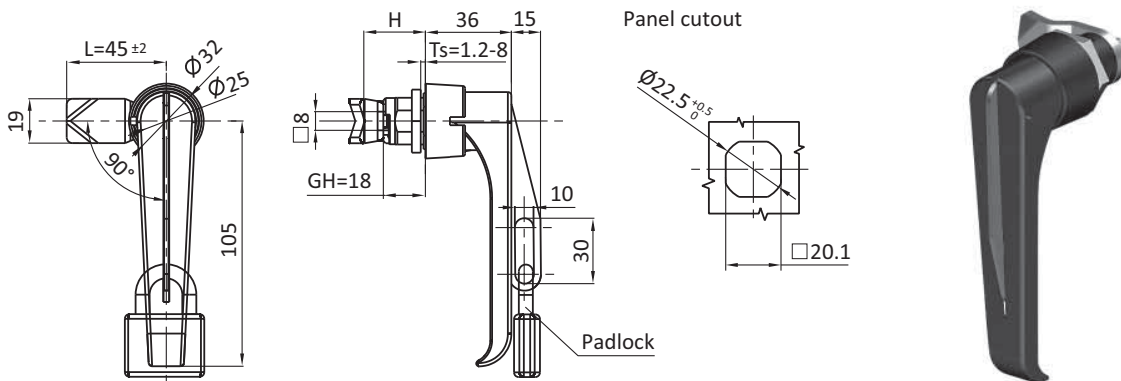


Pad Lock Compatible L-Handle Quarter Turn Locks	Die-cast Zinc, black powder coated	Die-cast Zinc, chrome plated
2 x 4 coin proof	0810114S03	0810437
Non-locking	0810114S04	0810438

Compatible cams see pages 47, 213-228
 Chapter 5 and 9 for accessories

L-HANDLE QUARTER TURN LOCKS

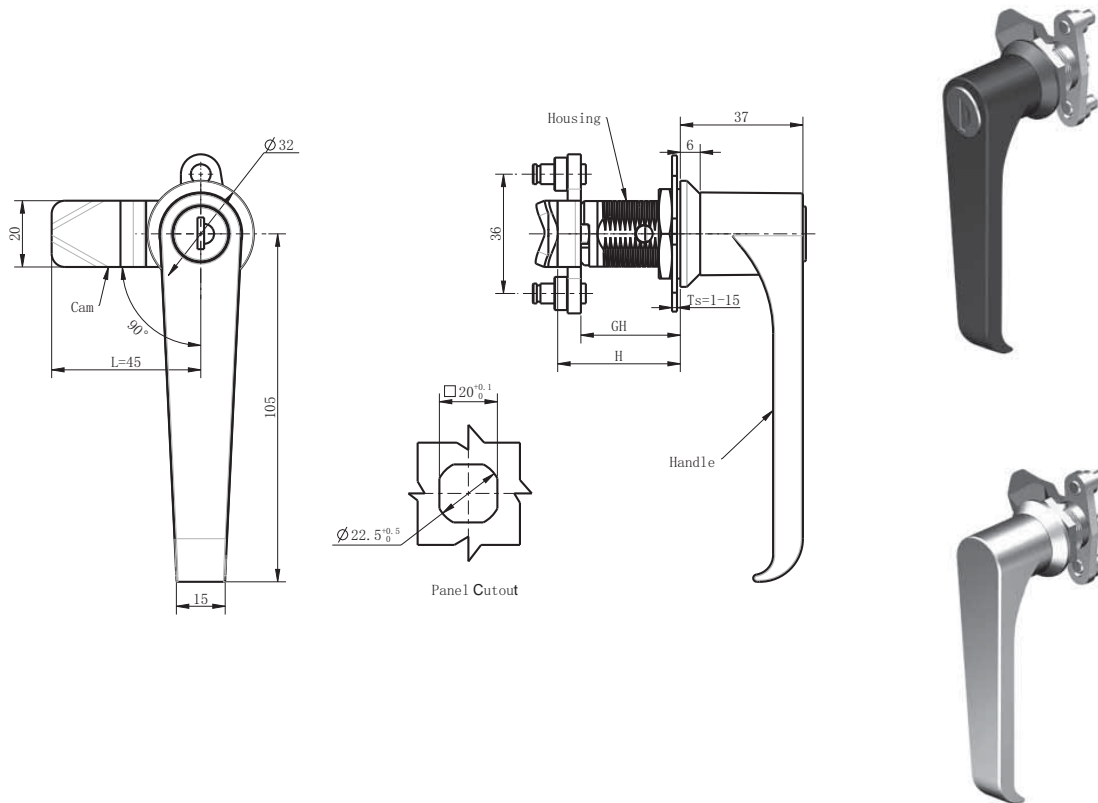
DESCRIPTION	For easy and secure latching and locking of doors and flaps. Wide range of inserts, cams, and accessories.
MATERIAL	Die-cast zinc
SURFACE	Black powder coated / chrome plated
SPECIALS	Right and left



L-Handle Quarter Turn Locks	Die-cast Zinc, black powder coated	Die-cast Zinc, chrome plated
	0810117	0810118

L-HANDLE QUARTER TURN LOCKS

DESCRIPTION	For easy and secure latching and locking of doors and flaps. Wide range of inserts, cams, and accessories.
MATERIAL	Die-cast zinc / stainless steel
SURFACE	Black powder coated / chrome plated
SPECIALS	Right and left IP65 / NEMA 4



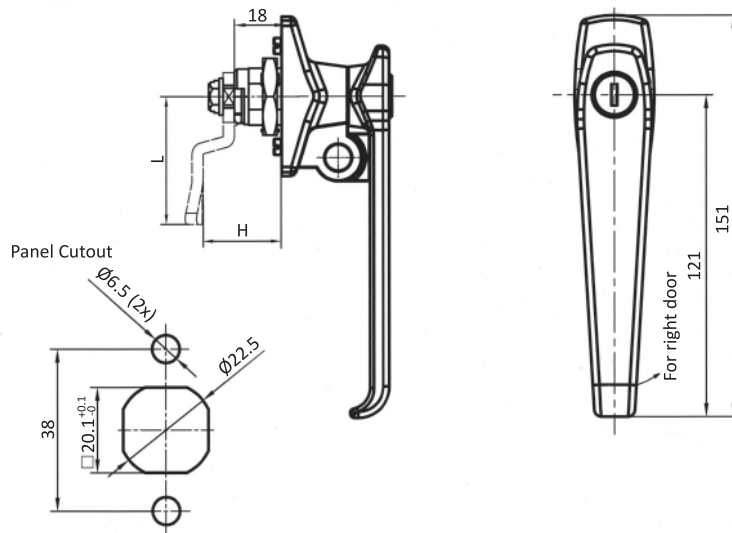
L-Handle Quarter Turn Locks	GH	Die-cast Zinc, black powder coated	Die-cast Zinc, chrome plated	Stainless Steel
FH333 Key locking	18	0810112	0810114	0810114E
Non-locking		0810113	0810115	0810116
FH333 Key locking	30	0810112GL30	0810114GL30	
Non-locking		0810113GL30	0810115GL30	
FH333 Key locking	50	0810112GL50	0810114GL50	
Non-locking		0810113GL50	0810115GL50	
FH333 Key locking	60	0810112GL60		
Non-locking		0810113GL60		

Compatible cams see pages 47, 213-228
 Chapter 5 and 9 for accessories
 Keyed differently on request
 CH751 key code on request



PAD LOCK COMPATIBLE L-HANDLE QUARTER TURN LOCKS

DESCRIPTION	For easy and secure latching and locking of doors and flaps. Wide range of cams, and accessories.
MATERIAL	Die-cast zinc
SURFACE	Black powder coated / chrome plated

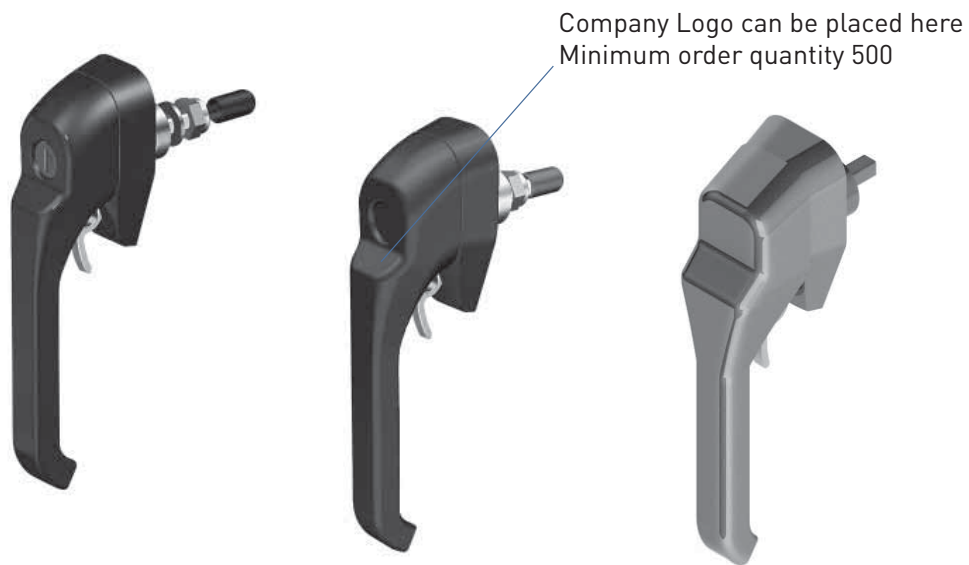
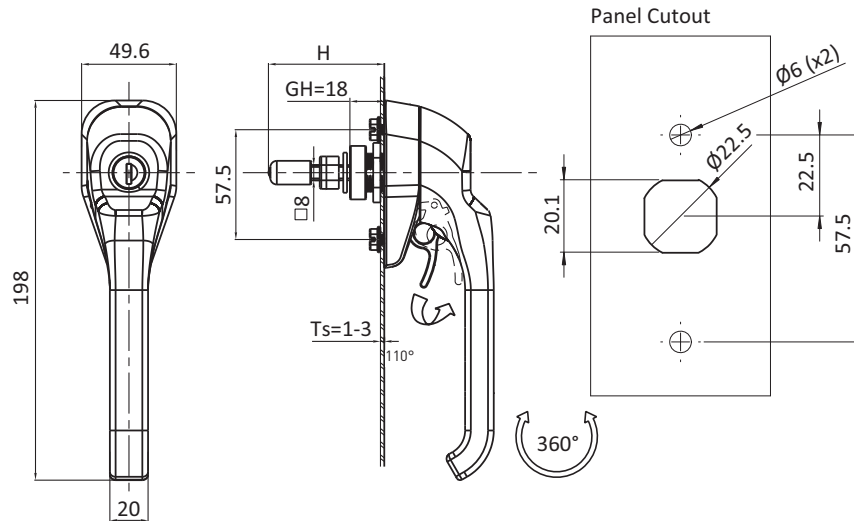


Pad Lock Compatible L-Handle Quarter Turn Locks	Die-cast Zinc, black powder coated	Die-cast Zinc, chrome plated
Key FH333	0810442	0810439
Key FH200	0810443	0810440
Non-locking	0810444	0810441

Compatible cams see pages 47, 213-228
 Chapter 5 and 9 for accessories

L-HANDLE QUARTER TURN LOCK WITH DEFEATER FUNCTION

DESCRIPTION	For easy and secure latching and locking of doors and flaps. Two stage unlocking, turn key and then trigger pull. Wide range of inserts, cams, and accessories.
MATERIAL	Die-cast zinc, stainless steel
SURFACE	Black powder coated / chrome plated
SPECIALS	Right and Left Pad lock compatible

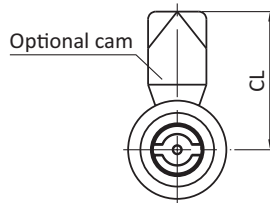
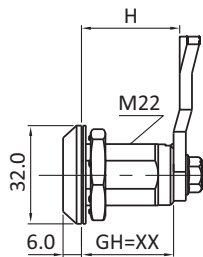


L-Handle Quarter Turn Lock with Defeater Function	Die-cast Zinc, black powder coated	316 SS	Handle: PA6 30 Housing: Die Cast Zinc - Black
Key locking [FH333]	0810112S01	0810112S02	
Key Locking [FH333] with no defeater	0810112S03		
Non-locking	0810113S01	0810116E02	0810113S03
2 x 4 Slot	0810117S01	0810117S01E	0810117S02

Compatible cams see pages 47, 213-228

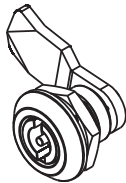
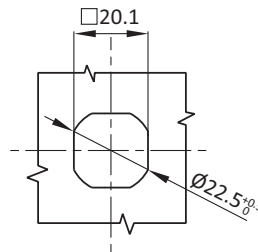
QUARTER TURN LOCKS EXTENDED HOUSING

DESCRIPTION	For easy and secure latching and locking of doors and flaps with padlock option. Wide range of inserts, cams, and accessories. Two and four padlock holes.
MATERIAL	Die-cast zinc / stainless steel
SURFACE	Black powder coated / Chrome plated
SPECIALS	Right and left

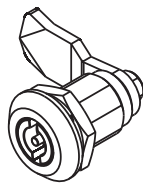


Cam Shown As Reference

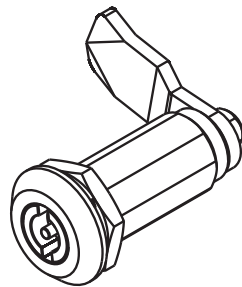
Panel cutout



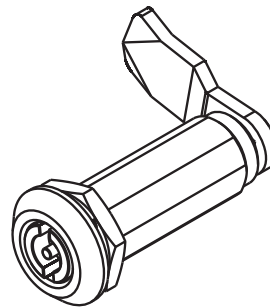
GH=18



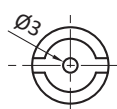
GH=30



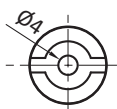
GH=50



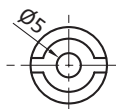
GH=60



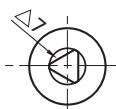
Double Bit 3mm



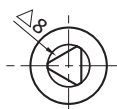
Double Bit 4mm



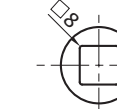
Double Bit 5mm



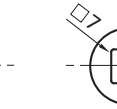
Triangular 7mm



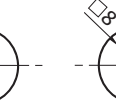
Triangular 8mm



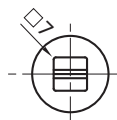
Female Square 8mm



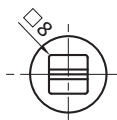
Square 7mm



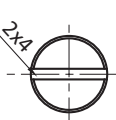
Square 8mm



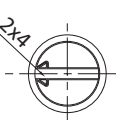
Square 7mm with slot



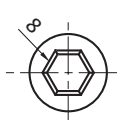
Square 8mm with slot



2x4 Slot



2x4 Slot coin proof



Hexagon female 8mm



Hexagon male 10mm



Hexagon female 8mm with pin 3mm



Triangular 10mm with M5 screwhole

Quarter Turn Locks	Cylinder type	Die-cast Zinc, black powder coated	Die-cast Zinc, chrome plated	PA Housing and die cast insert	Full 316 SS
Housing GH = 30	Double bit 3mm	0810733	0810734	0810735	0810736
	Double bit 4mm	0810741	0810742	0810743	0810744
	Double bit 5mm	0810749	0810750	0810751	0810752
	Slot 2 x 4	0810757	0810758	0810759	0810760
	Slot 2 x 4 coin proof	0810765	0810766	0810767	0810768
	Triangular 7mm	0810773	0810774	0810775	0810776
	Triangular 8mm	0810781	0810782	0810783	0810784
	Square 7mm	0810789	0810790	0810791	0810792
	Square 8mm	0810797	0810798	0810799	0810800
	Square 7mm with slot	0810805	0810806	0810807	0810808
	Square 8mm with slot	0810813	0810814	0810815	0810816
	Square 8mm female	0810821	0810822	0810823	0810824
	Hexagon 8mm female	0810829	0810830	0810831	0810832
	Hexagon 9mm female	0810837	0810838	0810839	0810840
	Hexagon 8mm female with 3mm pin	0810845	0810846	0810847	0810848
	Hexagon male 10mm	0810853	0810854	0810855	0810856
	Triangular 10mm with M5 screw hole	0810861	0810862	0810863	0810864
	Housing GH = 36	Double bit 3mm	0810865	0810866	0810867
Double bit 4mm		0810873	0810874	0810875	0810876
Double bit 5mm		0810881	0810882	0810883	0810884
Slot 2 x 4		0810889	0810890	0810891	0810892
Slot 2 x 4 coin proof		0810897	0810898	0810899	0810900
Triangular 7mm		0810905	0810906	0810907	0810908
Triangular 8mm		0810913	0810914	0810915	0810916
Square 7mm		0810921	0810922	0810923	0810924
Square 8mm		0810929	0810930	0810931	0810932
Square 7mm with slot		0810937	0810938	0810939	0810940
Square 8mm with slot		0810945	0810946	0810947	0810948
Square 8mm female		0810953	0810954	0810955	0810956
Hexagon 8mm female		0810961	0810962	0810963	0810964
Hexagon 9mm female		0810969	0810970	0810971	0810972
Hexagon 8mm female with 3mm pin		0810977	0810978	0810979	0810980
Hexagon male 10mm		0810985	0810986	0810987	0810988
Triangular 10mm with M5 screw hole		0810993	0810994	0810995	0810996
Housing GH = 40		Double bit 3mm	0810869	0810870	0810871
	Double bit 4mm	0810877	0810878	0810879	0810880
	Double bit 5mm	0810885	0810886	0810887	0810888
	Slot 2 x 4	0810893	0810894	0810895	0810896
	Slot 2 x 4 coin proof	0810901	0810902	0810903	0810904
	Triangular 7mm	0810909	0810910	0810911	0810912
	Triangular 8mm	0810917	0810918	0810919	0810920
	Square 7mm	0810925	0810926	0810927	0810928
	Square 8mm	0810933	0810934	0810935	0810936
	Square 7mm with slot	0810941	0810942	0810943	0810944
	Square 8mm with slot	0810949	0810950	0810951	0810952
	Square 8mm female	0810957	0810958	0810959	0810960
	Hexagon 8mm female	0810965	0810966	0810967	0810968
	Hexagon 9mm female	0810973	0810974	0810975	0810976
	Hexagon 8mm female with 3mm pin	0810981	0810982	0810983	0810984
	Hexagon male 10mm	0810989	0810990	0810991	0810992
	Triangular 10mm with M5 screw hole	0810997	0810998	0810999	08101000

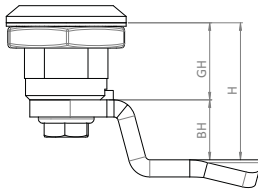
Compatible cams see pages 47, 213-228
 Chapter 5 and 9 for accessories

QUARTER TURN LOCKS

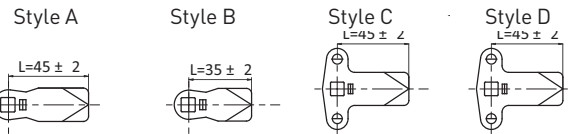
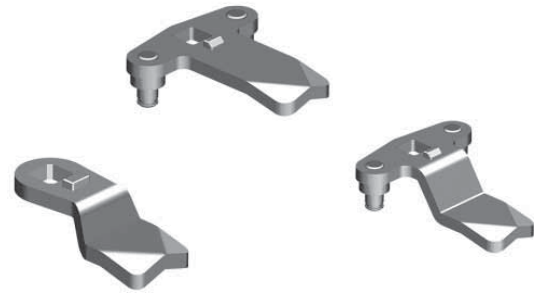
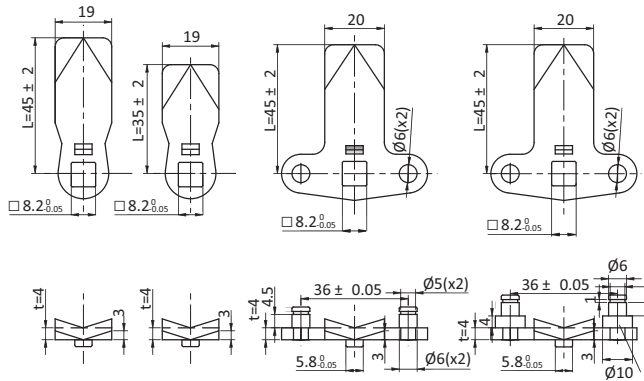
Quarter Turn Locks	Cylinder Type	Die-cast Zinc, black powder coated	Die-cast Zinc, chrome plated
Housing GH = 50	Double bit 3mm	0850043	0850044
	Double bit 4mm	0850047	0850048
	Double bit 5mm	0850051	0850052
	Slot 2 x 4	0850055	0850056
	Slot 2 x 4 coin proof	0850059	0850060
	Triangular 7mm	0850063	0850064
	Triangular 8mm	0850067	0850068
	Square 7mm	0850071	0850072
	Square 8mm	0850075	0850076
	Square 7mm with slot	0850079	0850080
	Square 8mm with slot	0850083	0850084
	Square 8mm female	0850087	0850088
	Hexagon 8mm female	0850091	0850092
	Hexagon 9mm female	0850095	0850096
	Hexagon 8mm female with 3mm pin	0850099	0850100
	Hexagon male 10mm	0850103	0850104
	Triangular 10mm with M5 screw hole	0850107	0850108
Housing GH = 60	Double bit 3mm	0890005	0850046
	Double bit 4mm	0850049	0850050
	Double bit 5mm	0850053	0850054
	Slot 2 x 4	0810400	0850058
	Slot 2 x 4 coin proof	0850061	0850062
	Triangular 7mm	0850065	0850066
	Triangular 8mm	0850069	0850070
	Square 7mm	0850073	0850074
	Square 8mm	0850077	0850078
	Square 7mm with slot	0850081	0850082
	Square 8mm with slot	0850085	0850086
	Square 8mm female	0850089	0850090
	Hexagon 8mm female	0850093	0850094
	Hexagon 9mm female	0850097	0850098
	Hexagon 8mm female with 3mm pin	0850101	0850102
	Hexagon male 10mm	0850105	0850106
	Triangular 10mm with M5 screw hole	0850109	0850110

Compatible cams see pages 47, 213-228
 Chapter 5 and 9 for accessories

STANDARD QUARTER TURN CAMS

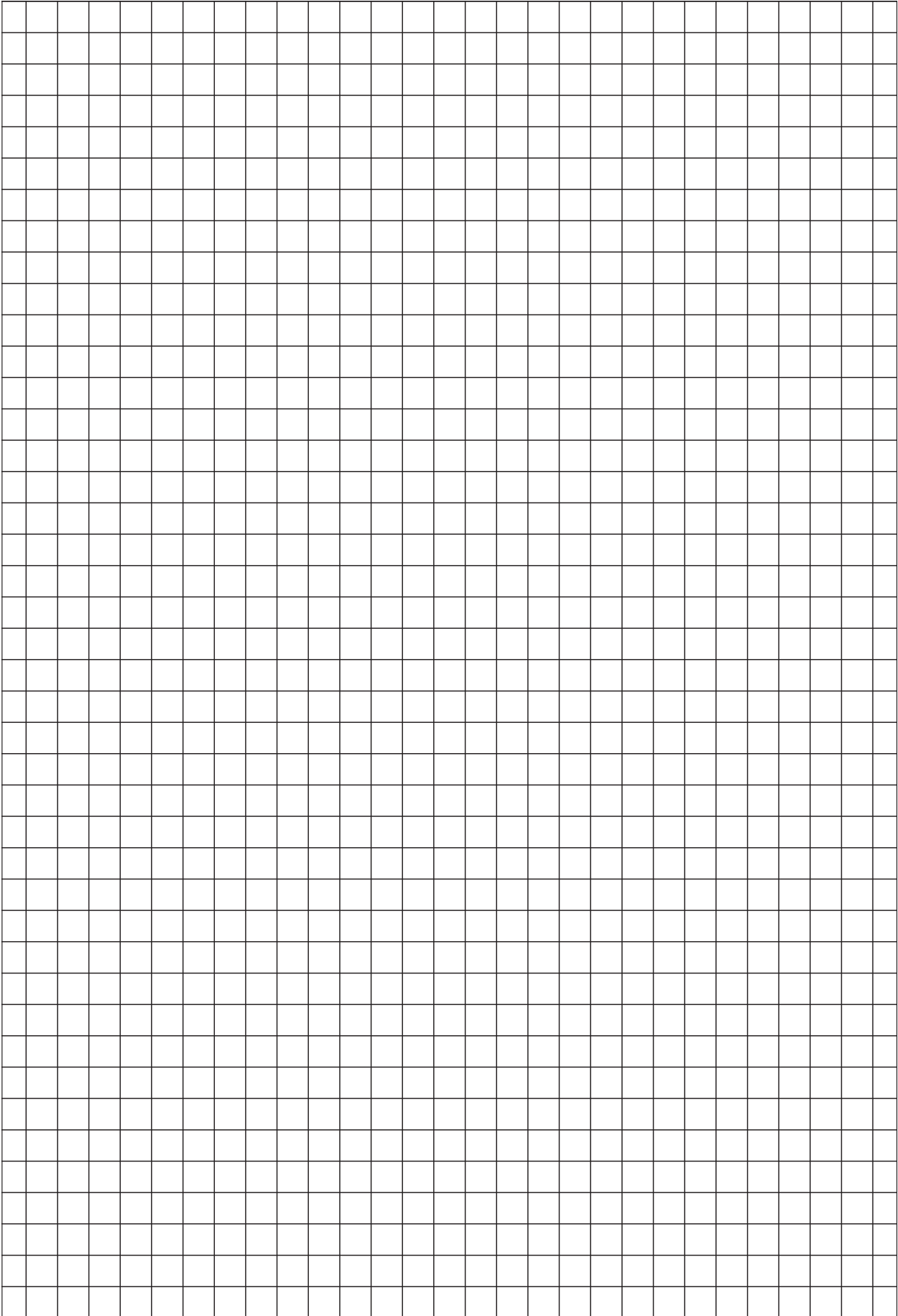


DESCRIPTION	Standard cams for standard quarter turns. Contains 3mm ramps. Cam contains a stop for quarter turns that do not have internal restraints.
MATERIAL	Mild steel
SURFACE	Zinc plated
SPECIALS	Other materials and custom cams on request



Stainless Steel available on request

	BH	GH = 18 Standard	GH = 30	GH = 36	GH = 40	GH = 50	GH = 60	Style A	Style B	Style C	Style D
H = GH + BH	-16	2	14	20	24	34	44	0810247			
	-14	4	16	22	26	36	46	0810248		0810295	0810321
	-12	6	18	24	28	38	48	0810249	0810276	0810296	0810322
	-10	8	20	26	30	40	50	0810250	0810277	0810297	0810323
	-8	10	22	28	32	42	52	0810251	0810278	0810298	0810324
	-5	13	25	31	35	45	55	0810252	0810279	0810299	0810325
	-4	14	26	32	36	46	56	0810253	0810280	0810300	0810326
	-2	16	28	34	38	48	58	0810254	0810281	0810301	0810327
	0	18	30	36	40	50	60	0810255	0810282	0810302	0810328
	2	20	32	38	42	52	62	0810256	0810283	0810303	0810329
	4	22	34	40	44	54	64	0810257	0810284	0810304	0810330
	6	24	36	42	46	56	66	0810258	0810285	0810305	0810331
	7	25	37	43	47	57	67	0810259	0810286	0810306	0810332
	8	26	38	44	48	58	68	0810260	0810287	0810307	0810333
	10	28	40	46	50	60	70	0810261	0810288	0810308	0810334
	12	30	42	48	52	62	72	0810262	0810289	0810309	0810335
	14	32	44	50	54	64	74	0810263		0810310	0810336
	16	34	46	52	56	66	76	0810264		0810311	0810337
	17	35	47	53	57	67	77	0810265	0810290	0810312	0810338
	18	36	48	54	58	68	78	0810266		0810313	0810339
	20	38	50	56	60	70	80	0810267	0810291	0810314	0810340
	22	40	52	58	62	72	82	0810268	0810292	0810315	0810341
	24	42	54	60	64	74	84	0810269	0810293	0810316	0810342
	26	44	56	62	66	76	86	0810270	0810294	0810317	0810343
	27	45	57	63	67	77	87	0810271		0810318	0810344
	29	47	59	65	69	79	89	0810272		0810319	0810345
	32	50	62	68	72	82	92	0810273		0810320	0810346
	35	53	65	71	75	85	95	0810274			
	37	55	67	73	77	87	97	0810275			



INDUSTRIAL HARDWARE

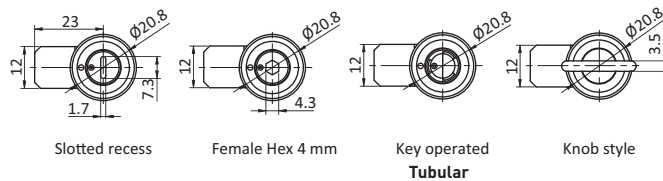
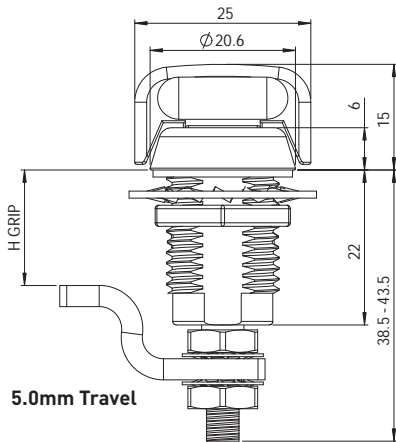
CHAPTER 2: **COMPRESSION LATCHES**



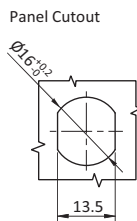
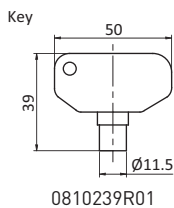
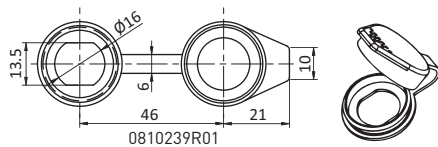
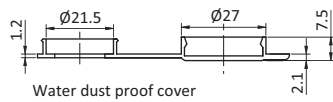
SMALL COMPRESSION LATCHES	50
LARGE COMPRESSION LATCHES	51-54
T-HANDLE COMPRESSION LATCHES - SHORT SHAFT	54
LARGE COMPRESSION LATCHES	55
T-HANDLE COMPRESSION LATCHES - LONG SHAFT	56
WINGKNOB COMPRESSION LATCHES	56
SQUARE FACE COMPRESSION LATCHES	57-58
HANDLE COMPRESSION LATCHES	59-62
T-HANDLE COMPRESSION LATCHES	63
HANDLE COMPRESSION LATCHES	64-65
TRIGGER LATCHES	66-67
OVER-CENTER DRAW LATCHES	68-70
DRAW LATCHES	71
OVER-CENTER DRAW LATCHES	72

SMALL COMPRESSION LATCHES

DESCRIPTION	For easy, secure, and compressive latching and locking of doors and flaps.
MATERIAL	Housing and cylinder: Die-cast zinc Cam: Mild steel
SURFACE	Housing and cylinder: Black powder coated Cam: Zinc plated
SPECIALS	Right and left IP65 / NEMA 4



Optional Components:

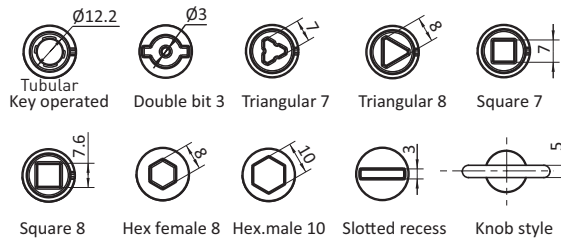
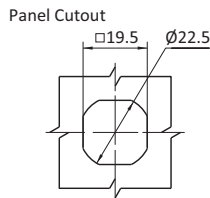
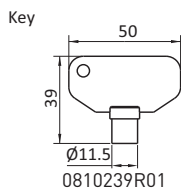
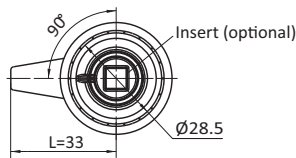
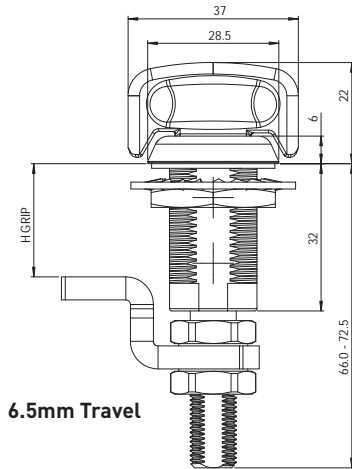


Cylinder Style	H Grip Range [mm]							
	3.2 - 6.4 mm	6.4 - 9.5 mm	9.5 - 12.7 mm	12.7 - 15.9 mm	15.9 - 19.0 mm	19.0 - 22.2 mm	22.2 - 25.4 mm	25.4 - 28.6 mm
Slotted Recess	0810203	0810204	0810205	0810206	0810207	0810208	0810209	0810210
Female Hex 4mm	0810211	0810212	0810213	0810214	0810215	0810216	0810217	0810218
Knob Style	0810219	0810220	0810221	0810222	0810223	0810224	0810225	0810226
Tubular Key	0810227	0810228	0810229	0810230	0810231	0810232	0810233	0810234

Chapter 5 and 9 for accessories

LARGE COMPRESSION LATCHES

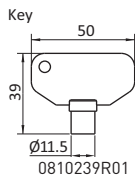
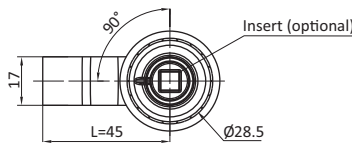
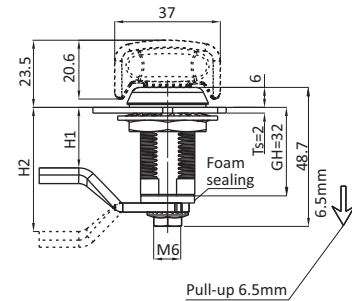
DESCRIPTION	For easy, secure, and compressive latching and locking of doors and flaps.
MATERIAL	Housing and cylinder: Die-cast zinc Cam: Mild steel
SURFACE	Housing and cylinder: Black powder coated Cam: Zinc plated
SPECIALS	Right and left IP65 / NEMA 4



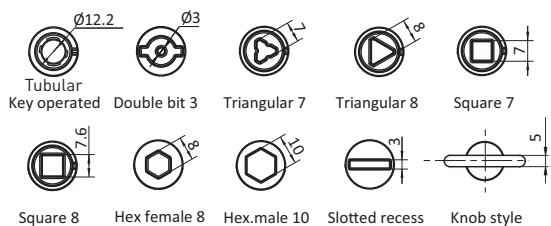
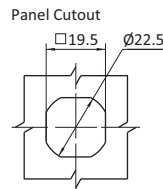
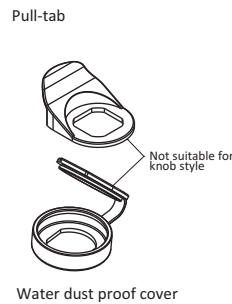
Cam Style	H Grip Range [mm]	Tubular Key Operated	Double Bit 3mm	Triangular 7mm	Triangular 8mm	Square 7mm	Square 8mm	Slotted Recess	Hex Female 8mm	Hex Male 10mm	Knob Style
Reversed	11.4 - 27.2	0810237	0810240	0810243	0810355	0810358	0811039	0810361	0810364	0810367	0810370
	25.4 - 41.1	0810238	0810241	0810244	0810356	0810359	0811040	0810362	0810365	0810368	0810371
Straight	38.9 - 54.6	0810239	0810242	0810245	0810357	0810360	0811041	0810363	0810366	0810369	0810372
Offset	52.6 - 68.3	0810238	0810241	0810244	0810356	0810359	0811040	0810362	0810365	0810368	0810371
	66.3 - 76.2	0810237	0810240	0810243	0810355	0810358	0811039	0810361	0810364	0810367	0810370

LARGE COMPRESSION LATCHES

DESCRIPTION	For easy, secure, and compressive latching and locking of doors and flaps.
MATERIAL	Housing and cylinder: Die-cast zinc Cam: mild steel
SURFACE	Housing and cylinder: Black powder coated Cam: zinc plated
SPECIALS	Right and left



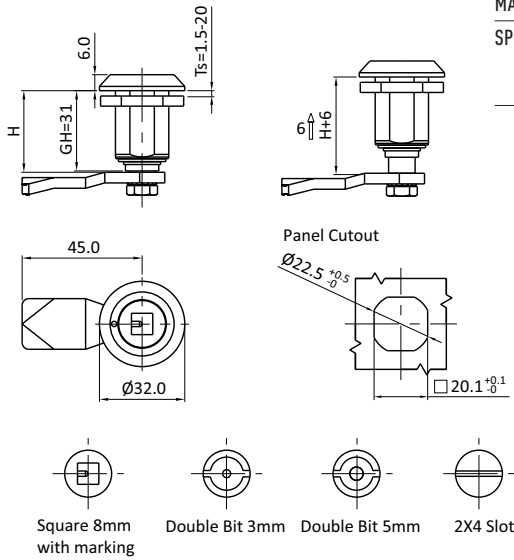
Optional components:



Large Compression Latches	Cylinder Style	Part #
	Tubular Key	0810488
	Double Bit w. 4mm Pin	0810489
	Triangle 7 mm	0810490
	Triangle 8 mm	0810491
	Square 7 mm	0810492
	Square 8 mm	0810493
	Slotted Recess	0810494
	Female Hex 8 mm	0810495
	Male Hex 10 mm	0810496
	Knob Style	0810497

Compatible cams see pages 47, 211-219
 Chapter 5 and 9 for accessories

LARGE COMPRESSION LATCHES



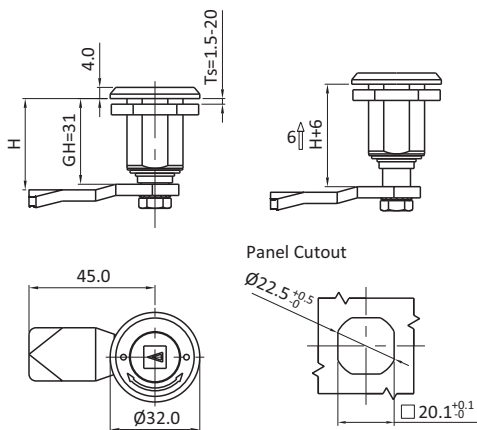
DESCRIPTION	For easy, secure, and compressive latching and locking of doors and flaps.
MATERIAL	316 SS
SPECIALS	Right and Left IP65 / NEMA 4 Spring and Seal



Large Compression Latches	Cylinder Style	Part #
	Square 8mm	0813126
	Double bit 3mm	0813128
	Double bit 5mm	0813129
	Slot 2 x 4 mm	0813127

Compatible cams see pages 47, 211-219
 Chapter 5 and 9 for accessories

LARGE COMPRESSION LATCHES



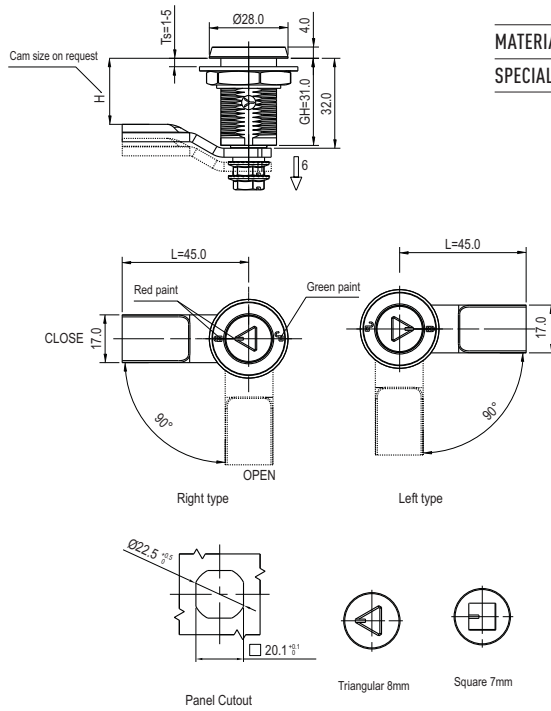
DESCRIPTION	For easy, secure, and compressive latching and locking of doors and flaps.
MATERIAL	316 SS
SPECIALS	Right and Left IP65 / NEMA 4 Spring and Seal Arrowhead and red-green marking



Large Compression Latches	Cylinder Style	Left	Right
	Square 8mm	0813130	0813131

Compatible cams see pages 47, 211-219
 Chapter 5 and 9 for accessories

LARGE COMPRESSION LATCHES



DESCRIPTION	For easy, secure, and compressive latching and locking of doors and flaps.
MATERIAL	316 SS
SPECIALS	Right and Left

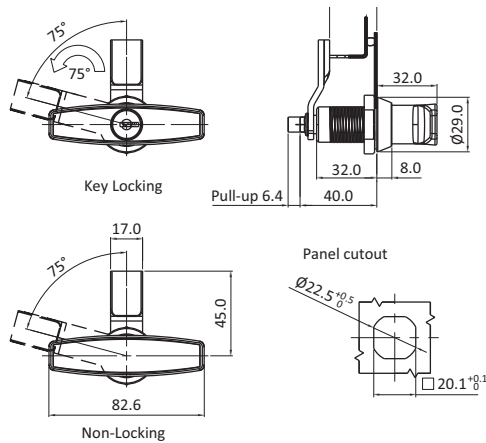


Large Compression Latches	Cylinder Style	Left	Right
	Triangular 8mm	0813060	0813061
	Square 7mm	0813058	0813059

Compatible cams see pages 47, 211-219
 Chapter 5 and 9 for accessories

T-HANDLE COMPRESSION LATCHES - SHORT SHAFT

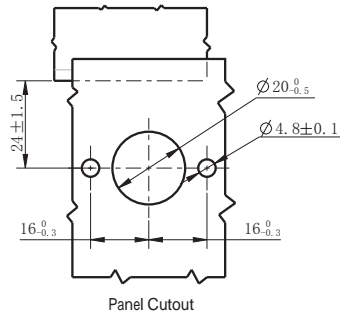
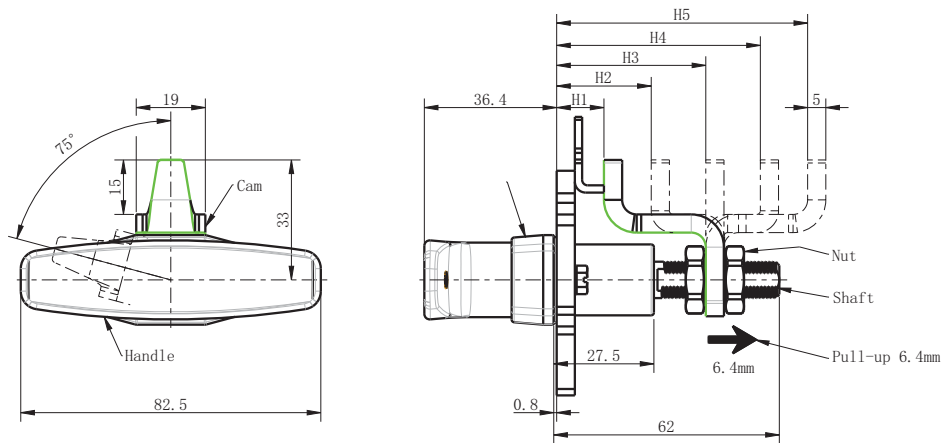
DESCRIPTION	For easy, secure, and compressive latching and locking of doors and flaps.
MATERIAL	Handle and Housing: Die cast zinc Shaft: Mild steel
SURFACE	Handle and Housing: Black powder coated Shaft: Zinc plated



T-Handle Compression Latches - Short Shaft	FH751 Key Locking	Non-Locking
	0850142	0850143

LARGE COMPRESSION LATCHES

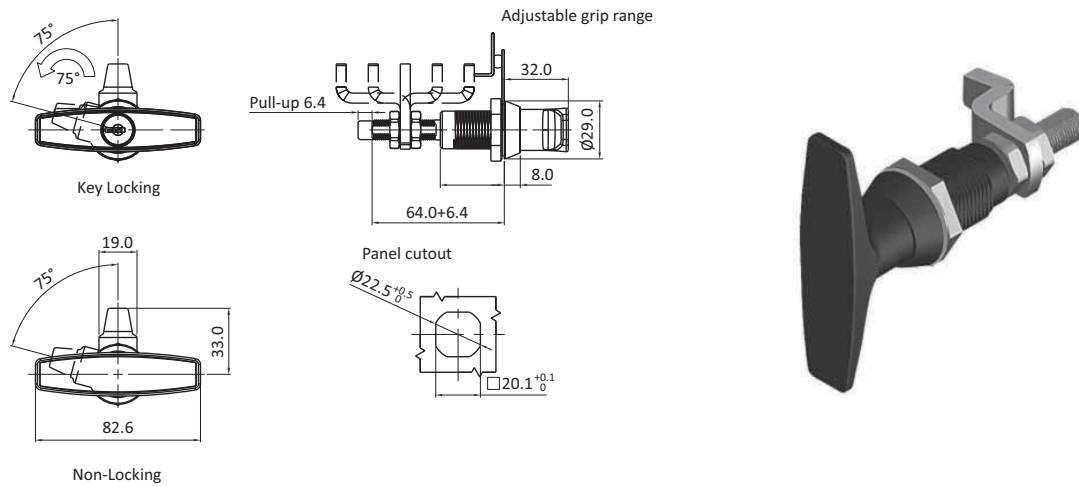
DESCRIPTION	For easy, secure, and compressive latching and locking of doors and flaps.
MATERIAL	Handle and Housing: Die cast zinc Shaft: Mild steel
SURFACE	Handle and Housing: Black powder coated Shaft: Zinc plated



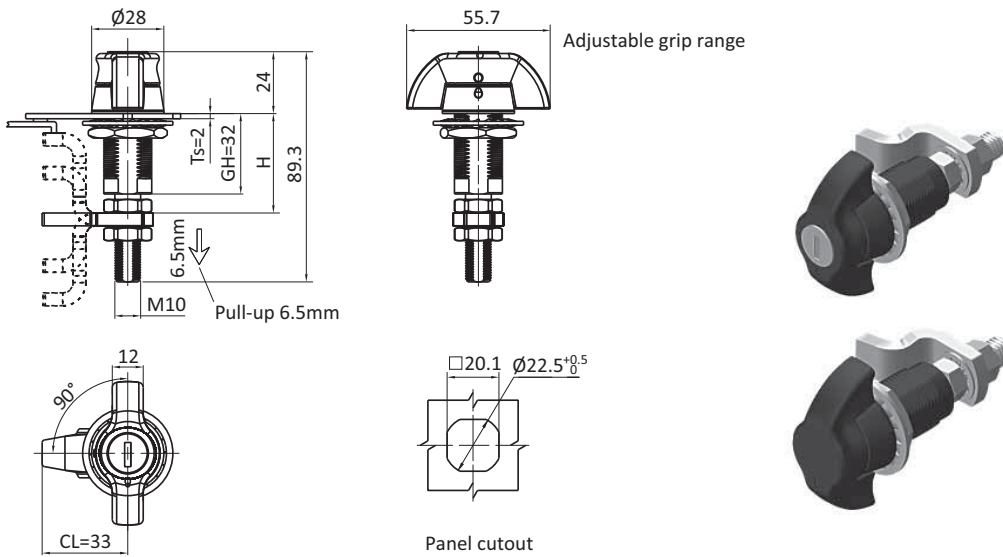
Cam Style	Grip Range (mm)	Non-Locking	Key Locking (Cylinder type needs to be specified)
Reversed	11.4 - 27.2	0850297	0850298
	25.4 - 41.1	0850297S01	0850298S01
Straight	38.9 - 54.6	0850297S02	0850298S02
	52.6 - 68.3	0810238S01	0850298S01
Offset	66.3 - 76.2	0850297	0850298

T-HANDLE COMPRESSION LATCHES - LONG SHAFT

DESCRIPTION	For easy, secure, and compressive latching and locking of doors and flaps.
MATERIAL	Handle and Housing: Die cast zinc Shaft: Mild steel
SURFACE	Handle and Housing: Black powder coated Shaft: Zinc plated



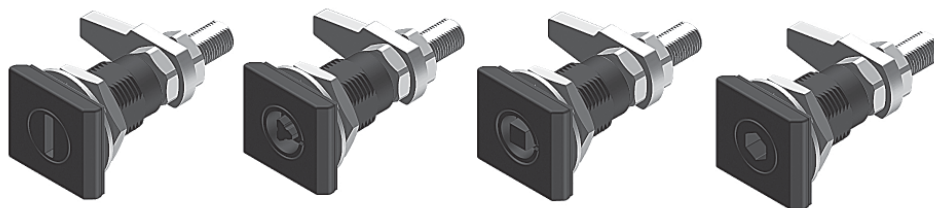
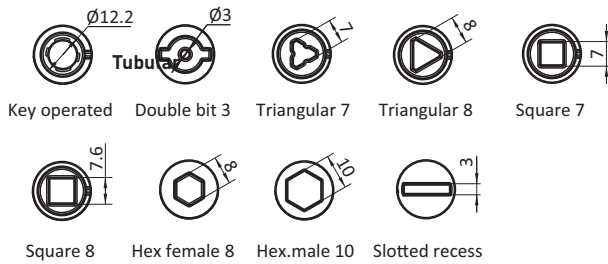
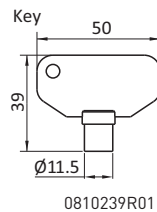
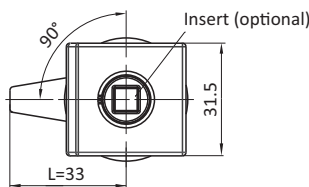
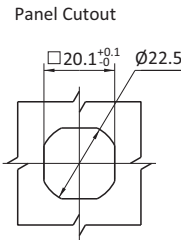
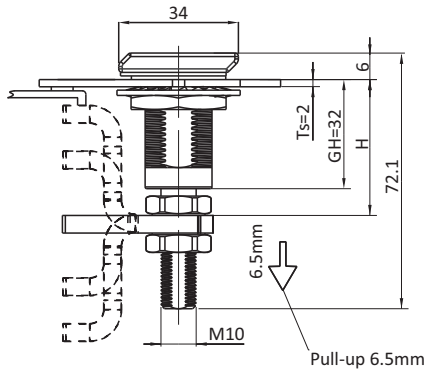
WINGKNOB COMPRESSION LATCHES



Cam Orientation	Grip Range		T-HANDLE		WING KNOB	
	Minimum	Maximum	FH751 Key locking	Non-locking	FH333 Key locking	Non-locking
Reversed Cam	11.4	27.2	0850144	0850147	0813099	0813102
	25.4	41.1	0850145	0850148	0813100	0813103
Straight Cam	38.9	54.6	0850146	0850149	0813101	0813104
Offset Cam	52.6	68.3	0850145	0850148	0813100	0813103
	66.3	76.2	0850144	0850147	0813099	0813102

SQUARE FACE COMPRESSION LATCHES

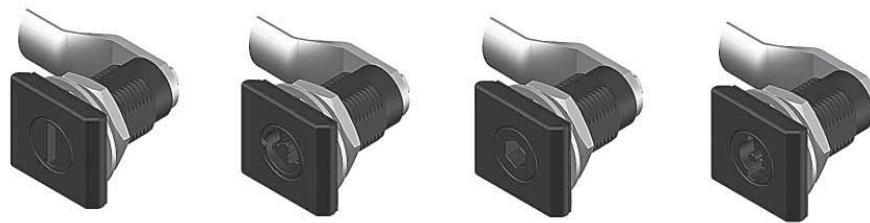
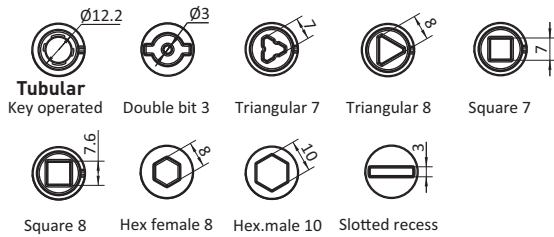
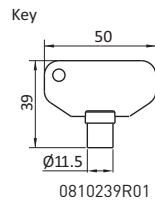
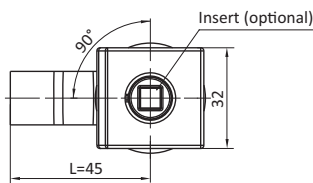
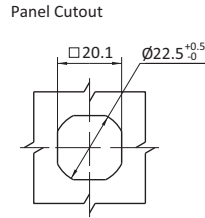
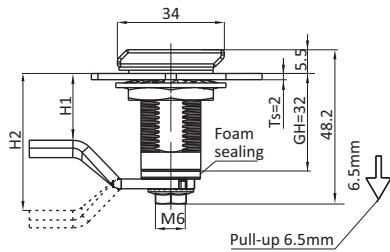
DESCRIPTION	For easy, secure, and compressive latching and locking of doors and flaps.
MATERIAL	Housing and cylinder: Die-cast zinc Cam: Mild steel
SURFACE	Housing and cylinder: Black powder coated Cam: Zinc plated
SPECIALS	Right and left IP65 / NEMA 4



Shaft Style	Cam Style	Grip Range (mm)	Tubular Key Operated	Double Bit 3mm	Triangular 7mm	Triangular 8mm	Square 7mm	Square 8mm	Slotted Recess	Hex Female 8mm	Hex Male 10mm
Long Shaft	Reversed	11.4 - 27.2	0813072	0813073	0813074	0813075	0813076	0813077	0813078	0813079	0813080
		25.4 - 41.1	0813081	0813082	0813083	0813084	0813085	0813086	0813087	0813088	0813089
	Straight	38.9 - 54.6	0813090	0813091	0813092	0813093	0813094	0813095	0813096	0813097	0813098
		52.6 - 68.3	0813081	0813082	0813083	0813084	0813085	0813086	0813087	0813088	0813089
Offset		66.3 - 76.2	0813072	0813073	0813074	0813075	0813076	0813077	0813078	0813079	0813080

SQUARE FACE COMPRESSION LATCHES

DESCRIPTION	For easy, secure, and compressive latching and locking of doors and flaps.
MATERIAL	Housing and cylinder: Die-cast zinc Cam and shaft: Mild steel
SURFACE	Housing and cylinder: Black powder coated Cam and shaft: Zinc plated
SPECIALS	Right and left IP65 / NEMA 4



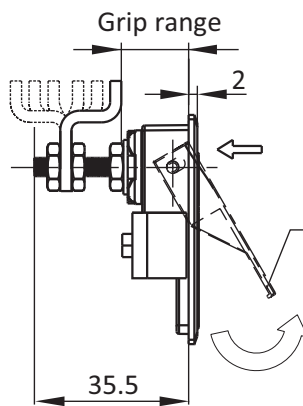
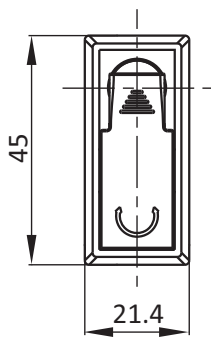
Shaft Style	Cylinder Style	Part #
Fixed H Dimension	Tubular Key operated	0813117
	Double bit 3mm	0813118
	Triangular bit 7mm	0813119
	Triangular bit 8mm	0813120
	Square 7mm	0813121
	Square 8mm	0813122
	Slotted recess	0813123
	Hex female 8mm	0813124
	Hex female 10mm	0813125

Compatible cams see pages 47, 211-219

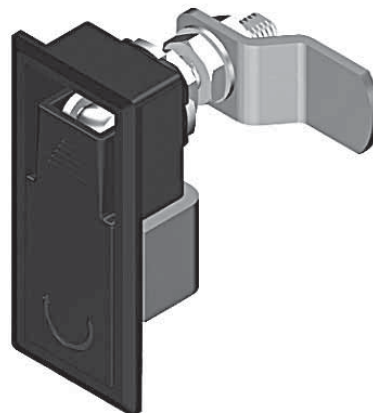
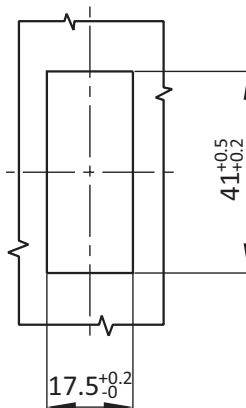
HANDLE COMPRESSION LATCHES

DESCRIPTION	For easy, secure, and compressive latching and locking of doors and flaps.
MATERIAL	Housing and cylinder: Die-cast zinc Cam: Mild steel
SURFACE	Housing and cylinder: Black powder coated / chrome plated Cam: Zinc plated

Small size



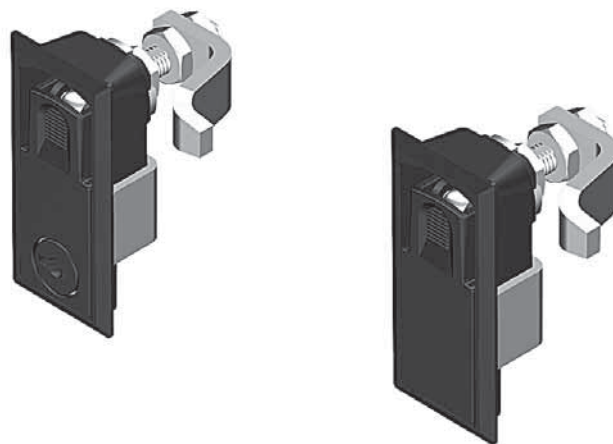
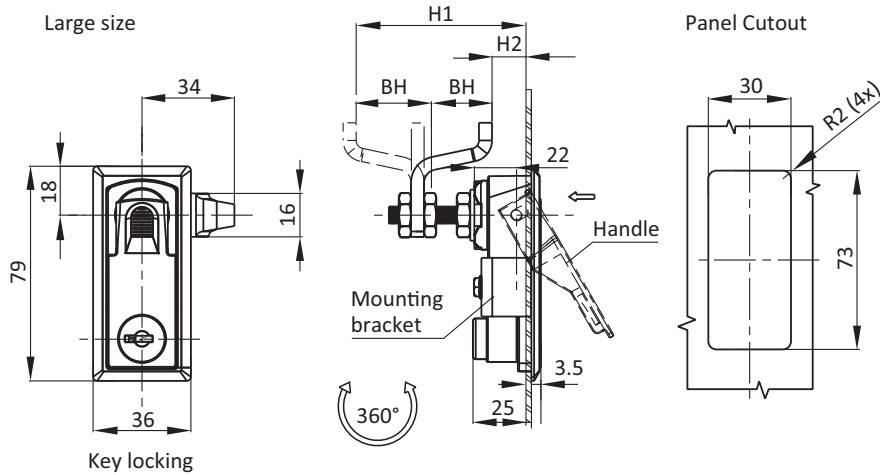
Panel Cutout



Cylinder Style	Cam forward	Cam reversed	Die-cast Zinc,	Die-cast Zinc,
	Min - Max [mm]	Min - Max [mm]	black powder coated	chrome plated
Non-Locking	4.5 - 10.5	34.5 - 40.5	0813318	0813319
	10.5 - 16.5	28.5 - 34.5	0813320	0813321
	16.5 - 22.5	22.5 - 28.5	0813322	0813323

HANDLE COMPRESSION LATCHES

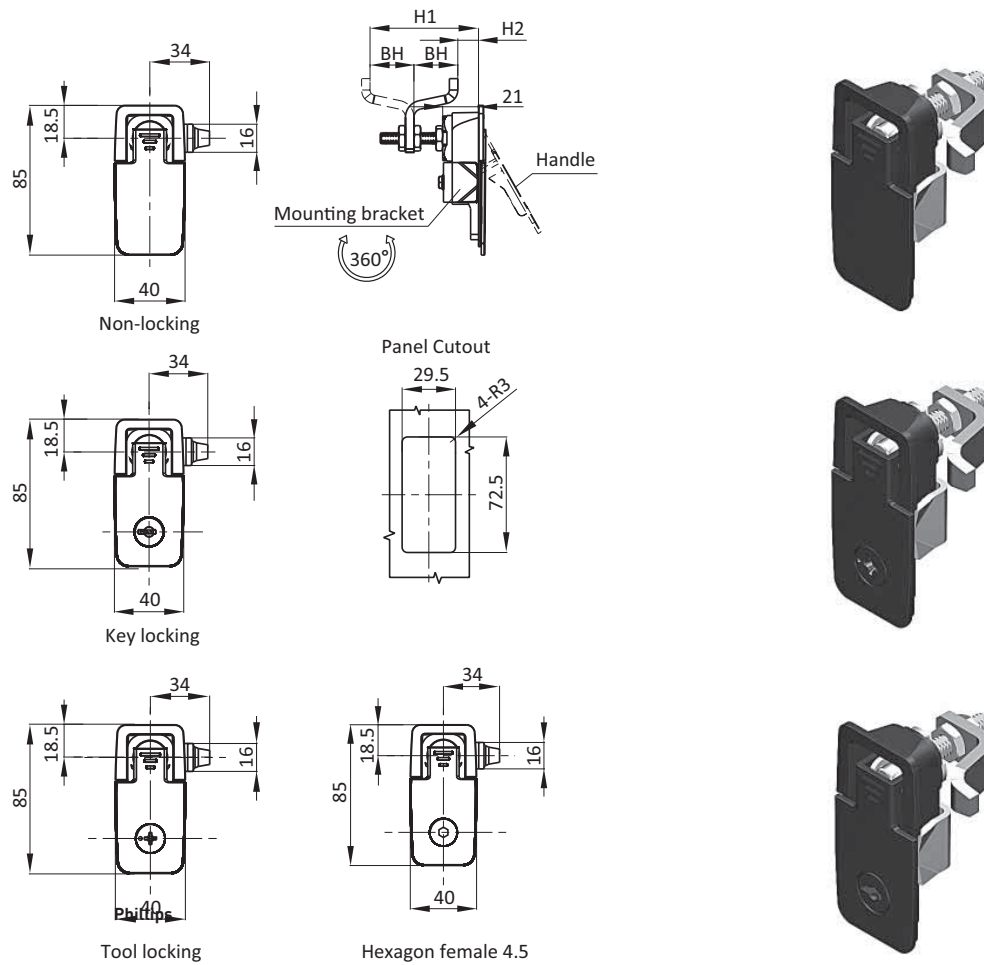
DESCRIPTION	For easy, secure, and compressive latching and locking of doors and flaps.
MATERIAL	Housing and cylinder: Die-cast zinc Cam: Mild steel
SURFACE	Housing and cylinder: Black powder coated / chrome plated Cam: Zinc plated



Cylinder Style	Cam forward	Cam reversed	Die-cast Zinc,	Die-cast Zinc,
	Min - Max (mm)	Min - Max (mm)	black powder coated	chrome plated
Non-Locking	6 - 16	56 - 66	0811050	0811051
	16 - 26	46 - 56	0811052	0811053
	26 - 36	36 - 46	0811054	0811055
Key locking FH751	6 - 16	56 - 66	0811056	0811057
	16 - 26	46 - 56	0811058	0811059
	26 - 36	36 - 46	0811060	0811061
Tool locking	6 - 16	56 - 66	0811062	0811063
	16 - 26	46 - 56	0811064	0811065
	26 - 36	36 - 46	0811066	0811067

HANDLE COMPRESSION LATCHES

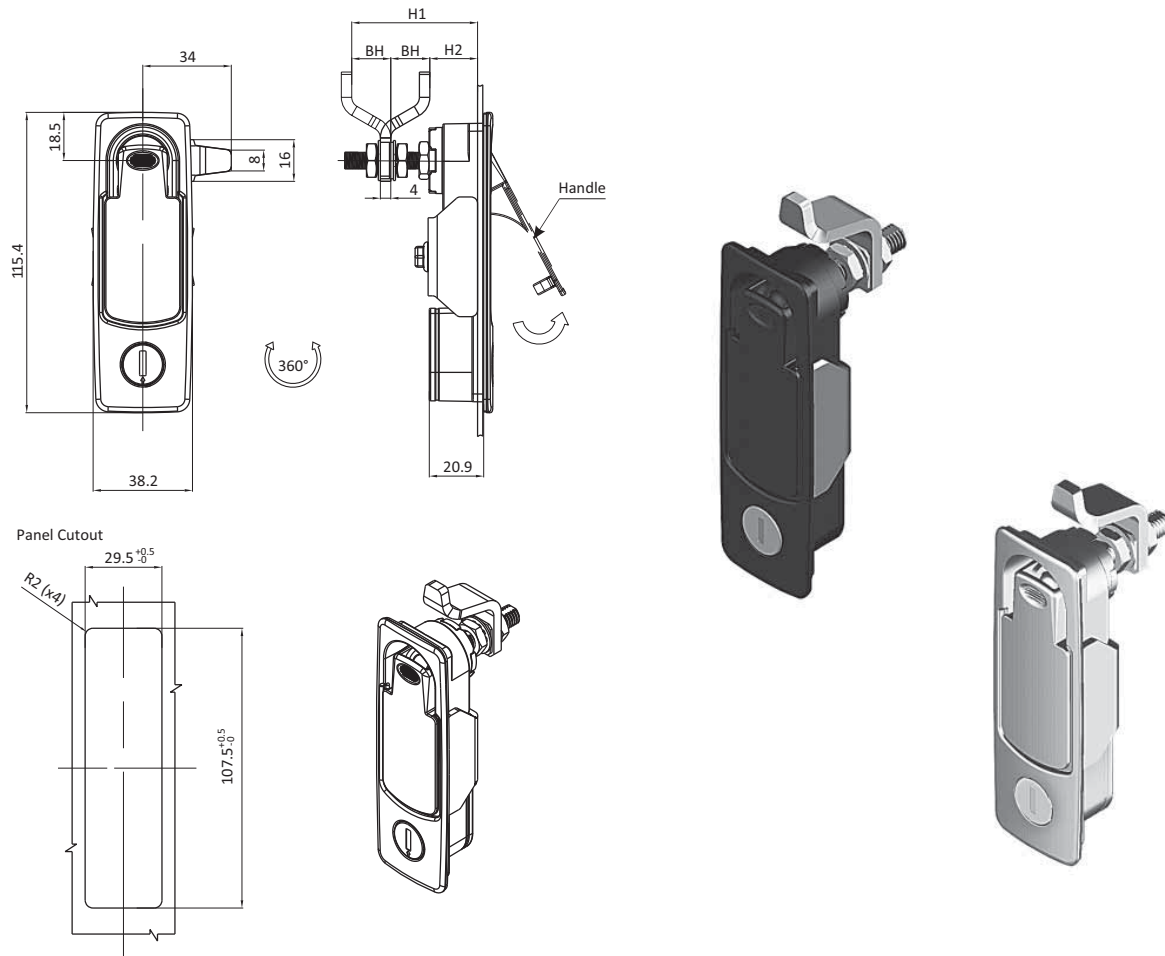
DESCRIPTION	For easy, secure, and compressive latching and locking of doors and flaps.
MATERIAL	Housing and cylinder: Die-cast zinc Cam: Mild steel
SURFACE	Housing and cylinder: Black powder coated / chrome plated Cam: Zinc plated



Cylinder Style	Cam forward Min - Max [mm]		Cam reversed Min - Max [mm]		Die-cast Zinc, black powder coated	Die-cast Zinc, chrome plated
	Min	Max	Min	Max		
Non-Locking	6	16	56	66	0810039	0810048
	16	26	46	56	0810040	0810010
	26	36	36	46	0810041	0810011
Key locking FH751	6	16	56	66	0810042	0810012
	16	26	46	56	0810043	0810049
	26	36	36	46	0810044	0810050
Phillips locking	6	16	56	66	0810045	0810051
	16	26	46	56	0810046	0810052
	26	36	36	46	0810047	0810053
Hexagon female 4.5	6	16	56	66	0811044	0811047
	16	26	46	56	0811045	0811048
	26	36	36	46	0811046	0811049
	16	24	46	66	0810046S01	

HANDLE COMPRESSION LATCHES

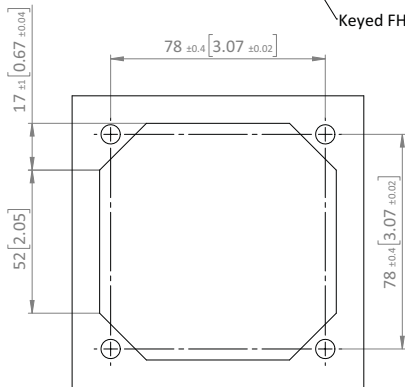
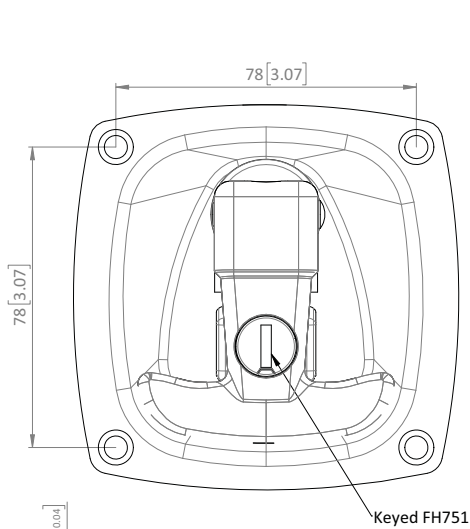
DESCRIPTION	For easy, secure, and compressive latching and locking of doors and flaps.
MATERIAL	Housing, handle, and trigger: Die-cast zinc Cam: Mild steel
SURFACE	Housing, handle, and trigger: Black powder coated / chrome plated Cam: Zinc plated



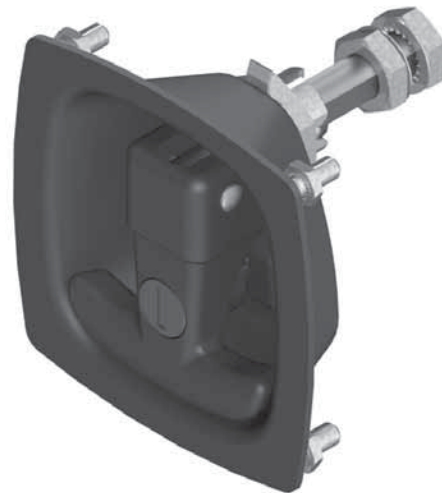
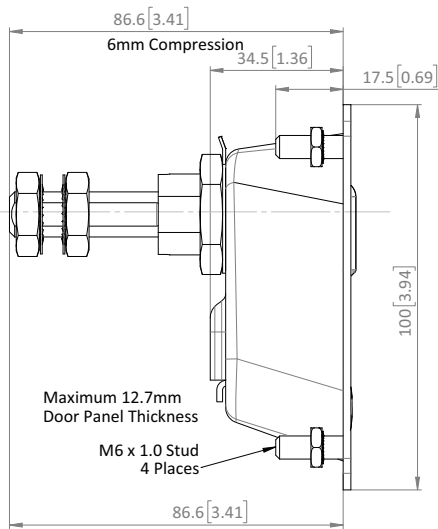
Cylinder Style	Cam forward	Cam reversed	Die-cast Zinc, black powder coated	Die-cast Zinc, chrome plated
	Min - Max (mm)	Min - Max (mm)		
FH1245 Key locking	6 - 16	56 - 66	0811068	0811071
	1 - 11	15 - 30	0811069	0811072
	1 - 11	15 - 30	0811070	0811073

T-HANDLE COMPRESSION LATCHES

DESCRIPTION	For easy, secure, and compressive latching and locking of doors and flaps.
MATERIAL	Housing, handle, and trigger: Die-cast zinc Cam: Mild steel
SURFACE	Housing, handle, and trigger: Black powder coated Cam: Zinc plated



PANEL CUTOUT

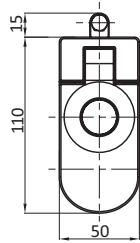


CAM
 Specify grip range

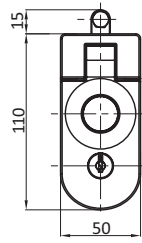
FH751 Key Locking
0810054

HANDLE COMPRESSION LATCHES

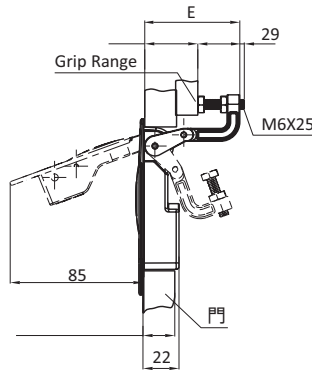
DESCRIPTION	For easy, secure, and compressive latching and locking of doors and flaps. Panel thickness must be 1 - 11 mm.
MATERIAL	Housing, handle, and trigger: Die-cast zinc Bolt: Mild steel
SURFACE	Housing, handle, and trigger: Black powder coated Bolt: Zinc plated



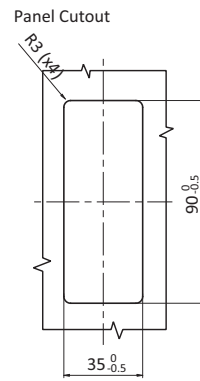
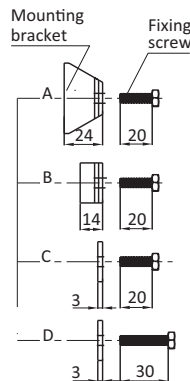
Non-locking



Key Locking



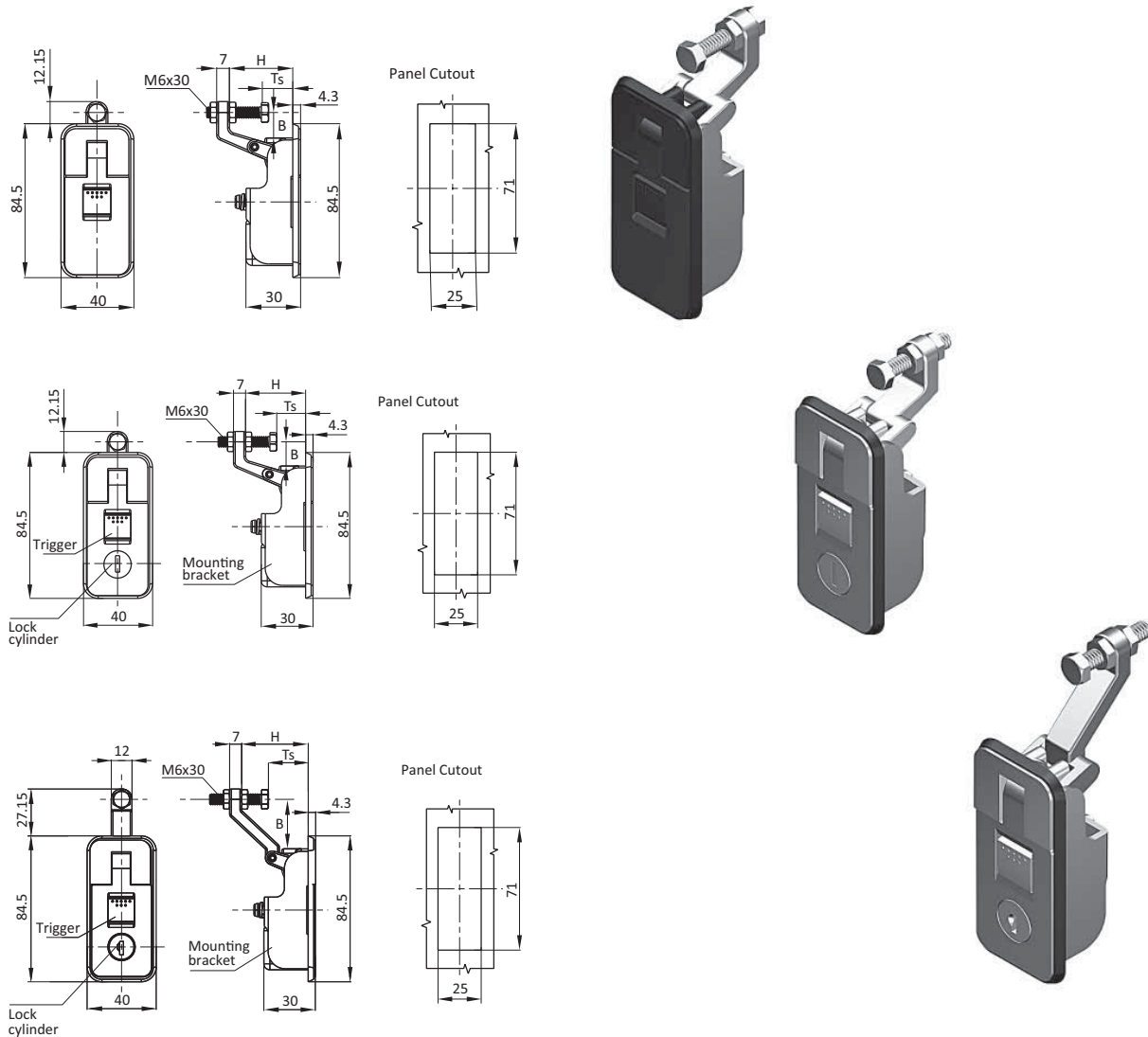
Max. panel Ts see table



Mounting Bracke	Panel Thickness Min - Max (mm)	Grip Range Min - Max (mm)	E (mm)	Non Locking	FH751 Key Locking with Shutter	FH751 Key Locking	Phillips Drive
A	1 - 11	1 - 14	29	0810072	0813001	0810076	0813003
B	11 - 21	1 - 14	29	0813004	0813005	0813006	0813007
A	1 - 11	14 - 29	44	0810073	0813009	0810077	0813011
B	11 - 21	14 - 29	44	0813012	0813013	0813014	0813015
C	21 - 31	14 - 29	44	0813016	0813017	0813018	0813019
A	1 - 11	29 - 45	60	0810074	0813021	0810088	0813023
B	11 - 21	29 - 45	60	0813024	0813025	0813026	0813027
C	21 - 31	29 - 45	60	0813028	0813029	0813030	0813031
D	31 - 41	29 - 45	60	0813032	0813033	0813034	0813035
A	1 - 11	45 - 57	72	0810075	0813037	0810089	0813039
B	11 - 21	45 - 57	72	0813040	0813041	0813042	0813043
C	21 - 31	45 - 57	72	0813044	0813045	0813046	0813047
D	31 - 41	45 - 57	72	0813048	0813049	0813050	0813051

HANDLE COMPRESSION LATCHES

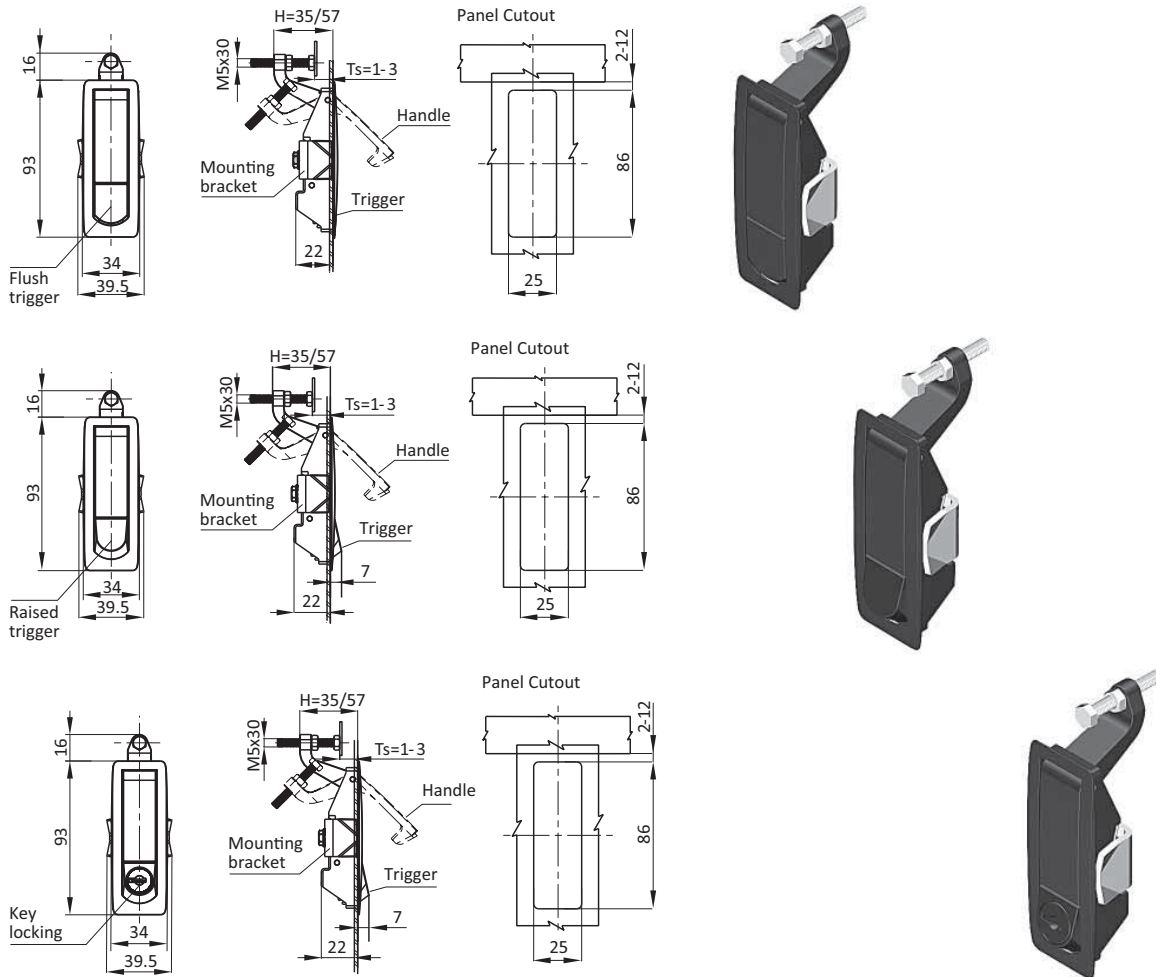
DESCRIPTION	For easy, secure, and compressive latching and locking of doors and flaps.
MATERIAL	Housing and handle: Die-cast zinc Bolt and trigger: Mild steel
SURFACE	Housing and handle: Black powder coated Bolt and trigger: Zinc plated



Grip Range [mm]	Lock Style	Die-cast Zinc, black powder coated	Die-cast Zinc, chrome plated
1 - 25	Non-locking	0810498	0810499
	Key locking w. shutter (CH751)	0810500	0810501
15 - 30	Non-locking	0810502	0810503
	Key locking w. shutter (CH751)	0810504	0810505

TRIGGER LATCHES

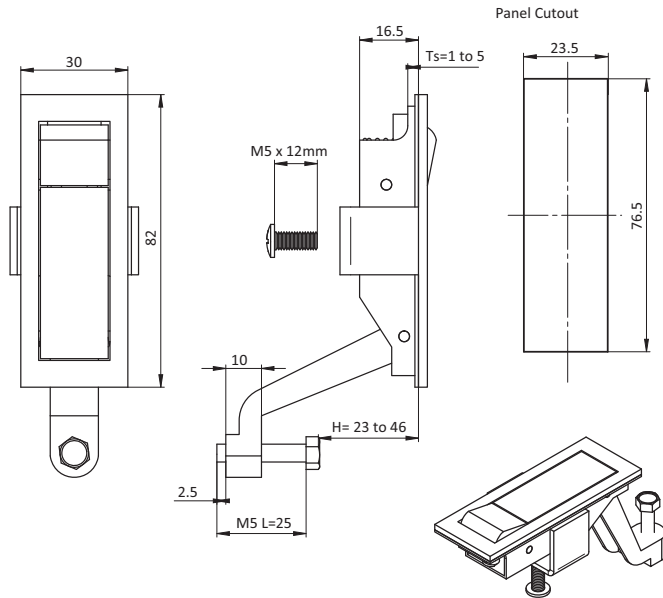
DESCRIPTION	For easy, secure, and compressive latching and locking of doors and flaps.
MATERIAL	Housing, handle, and trigger: Die-cast zinc Bolt: Mild steel
SURFACE	Housing, handle, and trigger: Black powder coated / chrome plated Bolt: Zinc plated



Trigger Latches	Trigger Style	Die-cast Zinc, black powder coated	Die-cast Zinc, chrome plated	NEMA 4 black powder coated
Short arm Grip range 1 - 24 mm	Non-locking raised trigger	0810056	0810060	0850240
	Non-locking flush trigger	0810057	0810061	0850241
	FH751 key locking	0810058	0810062	0850242
	Phillips Drive	0811074	0811076	0850243
	FH751 key locking with shutter	0810059	0810063	0850244
Long arm Grip range 23 - 46 mm	Hexagon female 4.5mm	0811075	0811077	0850245
	Non-locking raised trigger	0810064	0810068	0850246
	Non-locking flush trigger	0810065	0810069	0850247
	FH751 key locking	0810066	0810070	0850248
	Phillips Drive	0811078	0811080	0850249
	FH751 key locking with shutter	0810067	0810071	0850250
	Hexagon female 4.5mm	0811079	0811081	0850251

TRIGGER LATCHES

DESCRIPTION	For easy, secure, and compressive latching and locking of doors and flaps.
MATERIAL	304 SS / die-cast zinc
SURFACE	Black powder coated / Chrome plated

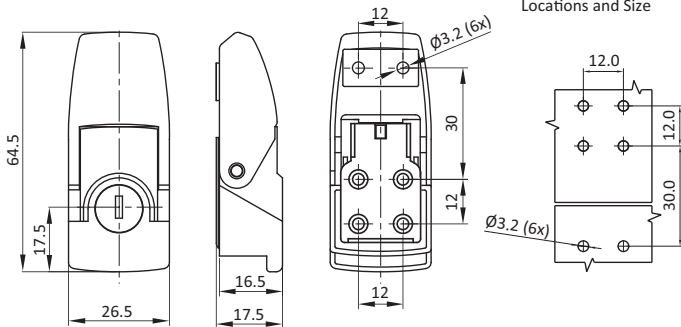


Trigger Latch	Grip Range (mm)	Version	Part #
	23 - 46	Die-cast zinc, chrome plated	0810093
	23 - 46	304 SS	0810093E
	23 - 46	Die-cast zinc, black powder coated	0810093S01
	35 - 58	Die-cast zinc, black powder coated	0810093S03

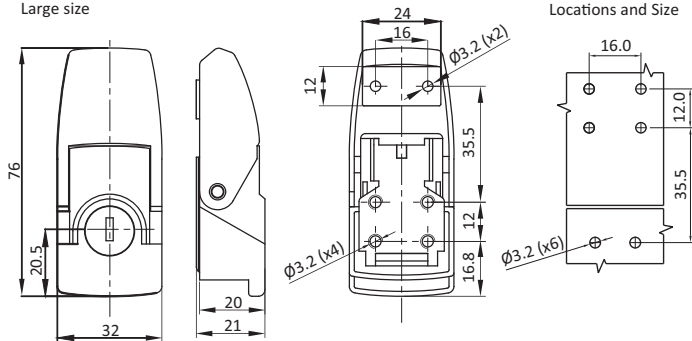
OVER-CENTER DRAW LATCHES

DESCRIPTION	For easy, secure, and compressive latching and locking of doors and flaps.
MATERIAL	Die-cast zinc
SURFACE	Black powder coated / chrome plated

Small size



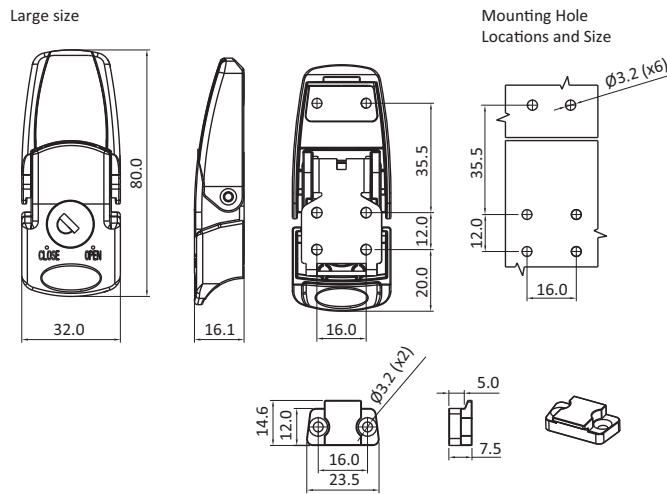
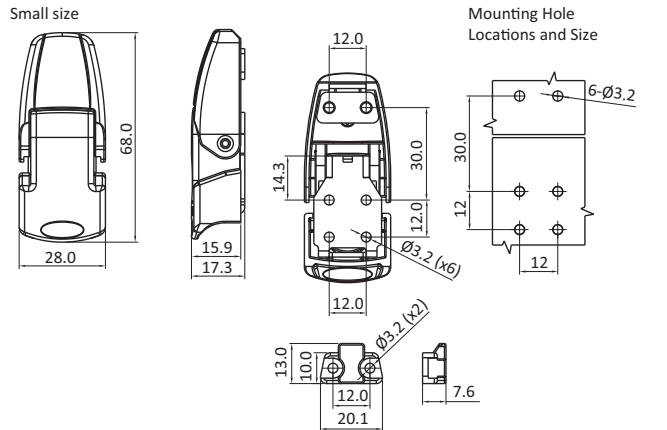
Large size



Over-Center Draw Latches	Lock Style	Die-cast Zinc, black powder coated	Die-cast Zinc, chrome plated
		Small	Non-locking
	Key Locking (D200)	0813066	0813067
Large	Non-locking	0813068	0813069
	Key locking (D200)	0813489	0813065

OVER-CENTER DRAW LATCHES

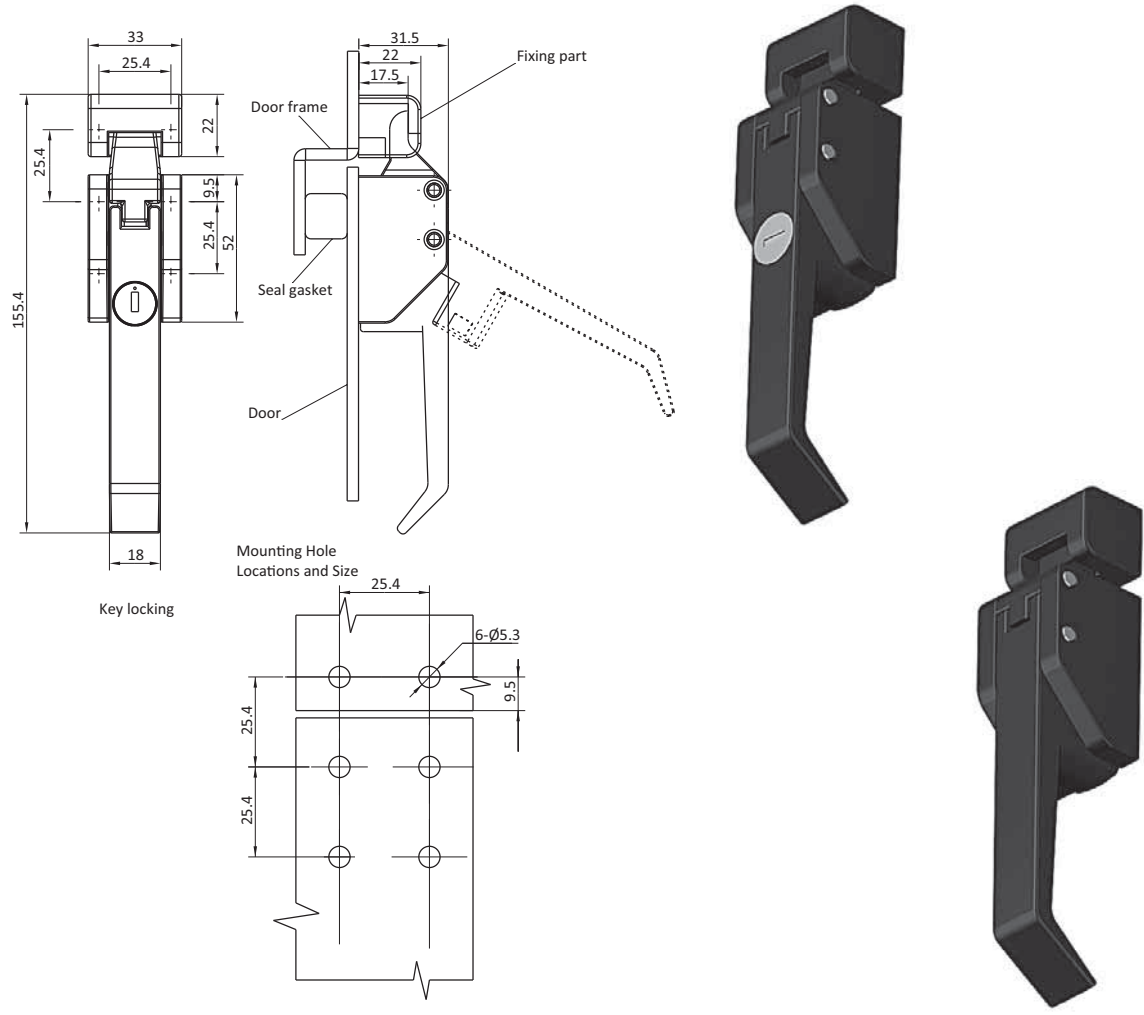
DESCRIPTION	For easy, secure, and compressive latching and locking of doors and flaps.
MATERIAL	Die-cast zinc
SURFACE	Black powder coated / chrome plated



Over-Center Draw Latches	Lock Style	Die-cast Zinc, black powder coated	Die-cast Zinc, chrome plated
		Small	Non-locking
	Key locking FH200	0810096	0810098
Large	Non-locking	0810099	0810101
	Key locking FH200	0810095	0810097

OVER-CENTER DRAW LATCHES

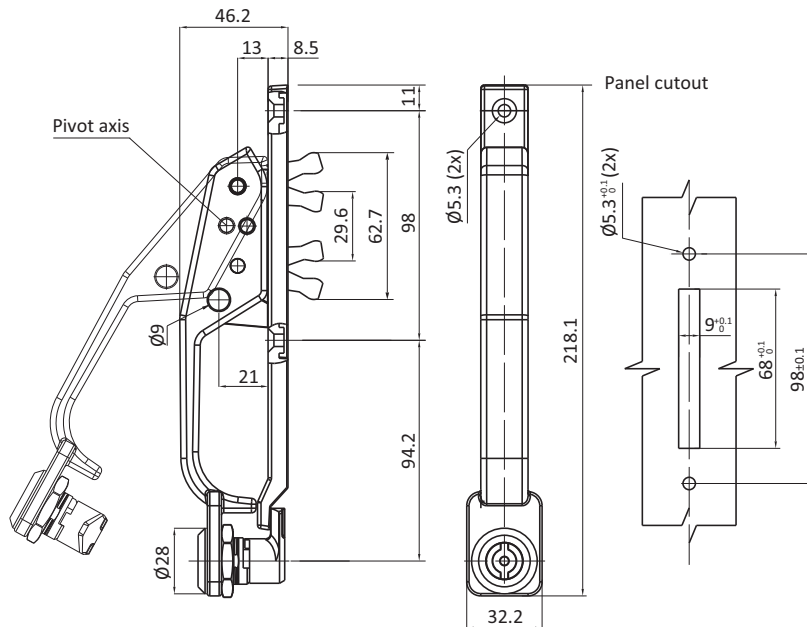
DESCRIPTION	For easy, secure, and compressive latching and locking of doors and flaps.
MATERIAL	Die-cast zinc / 316 SS
SURFACE	Black powder coated / Chrome plated



Screw Hole	Lock Style	Die-cast Zinc, black powder coated	Die-cast Zinc, chrome plated	316 SS
M5 x 0.8	FH751 locking	0810433	0810435	0810434
	Non-locking	0810430	0810432	0810431
10 - 32UNC	FH751 locking	0813052	0813053	0813054
	Non-locking	0813055	0813056	0813057

DRAW LATCHES

DESCRIPTION	For easy and secure latching and locking of doors and flaps. Wide range of cams and accessories.
MATERIAL	Die-cast zinc
SURFACE	Black Powder Coat / Black E-Coat / RAL 7012 Powder Coat
SPECIALS	Double Bit 4mm Insert



Push To Close Quarter Turn Locks

Die-cast Zinc,
black powder coated

0810121

Die-cast Zinc,
black E-coated

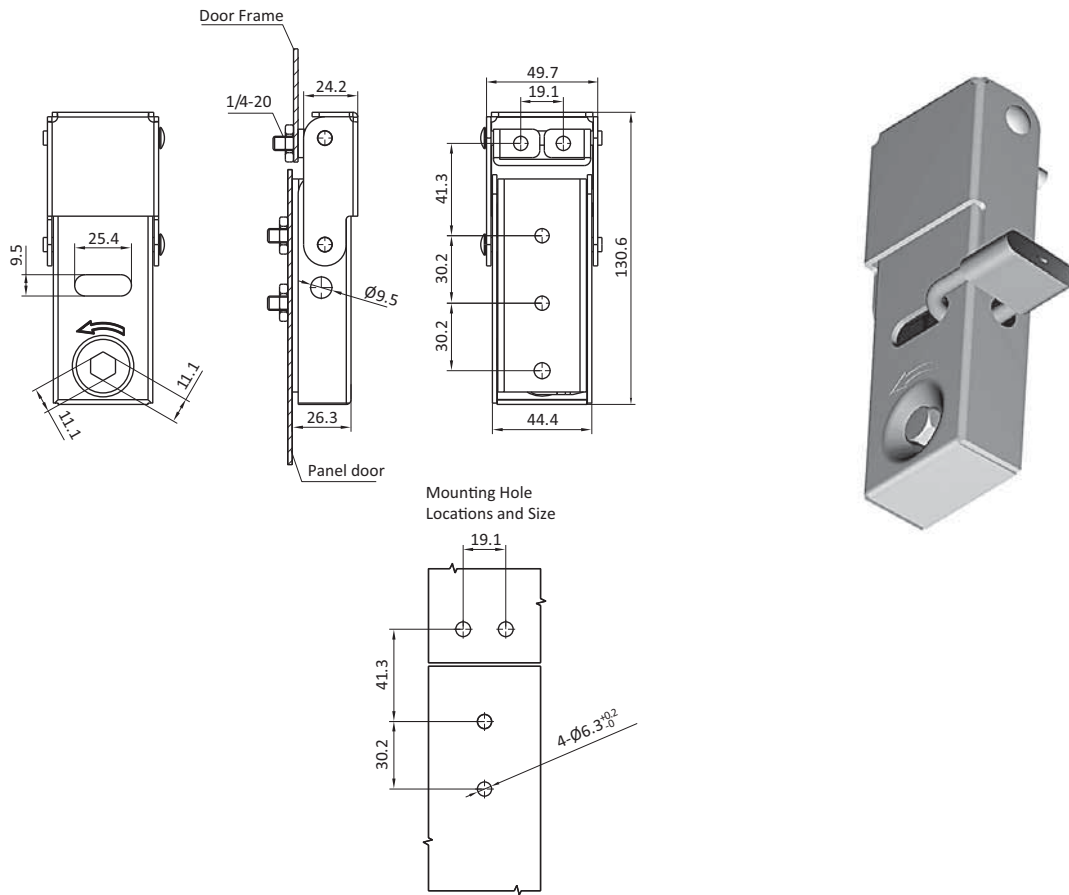
0810122

Die-cast Zinc,
RAL 7012 powder coated

0811037

OVER-CENTER DRAW LATCHES

DESCRIPTION	For easy, secure, and compressive latching and locking of doors and flaps.
MATERIAL	304 / 316 SS / Mild Steel
SURFACE	Zinc plated
SPECIALS	Pad lock compatible



Over-Center Draw Latches	Material	Part #
	316 SS	0813062
	304 SS	0813063
	Mild Steel	0813064

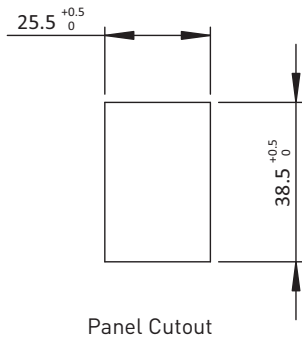
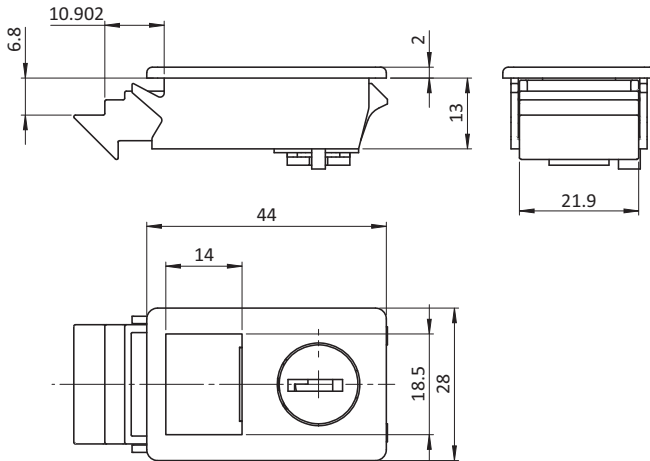
INDUSTRIAL HARDWARE CHAPTER 3: **SLAM LATCHES**



SLIDE LATCH	74-77
EXPANSION LATCH	77
SLAM LATCHES	78
SLAM LATCH ACCESSORIES	79-80
SLAM TO CLOSE PUSHBUTTON LATCH	81
PUSH TO CLOSE CATCH	81
PUSH TO CLOSE SLAM LATCH	82
SLAM LATCHES	83
PUSH TO CLOSE PADDLE LATCH	84
SLAM TO CLOSE PADDLE LATCH	85-86
SLAM/SLIDE LATCHES COMPACT	87
TWIN SLAM LATCH	88
EMERGENCY OPENER FOR SLAM LATCHES	89

SLIDE LATCH

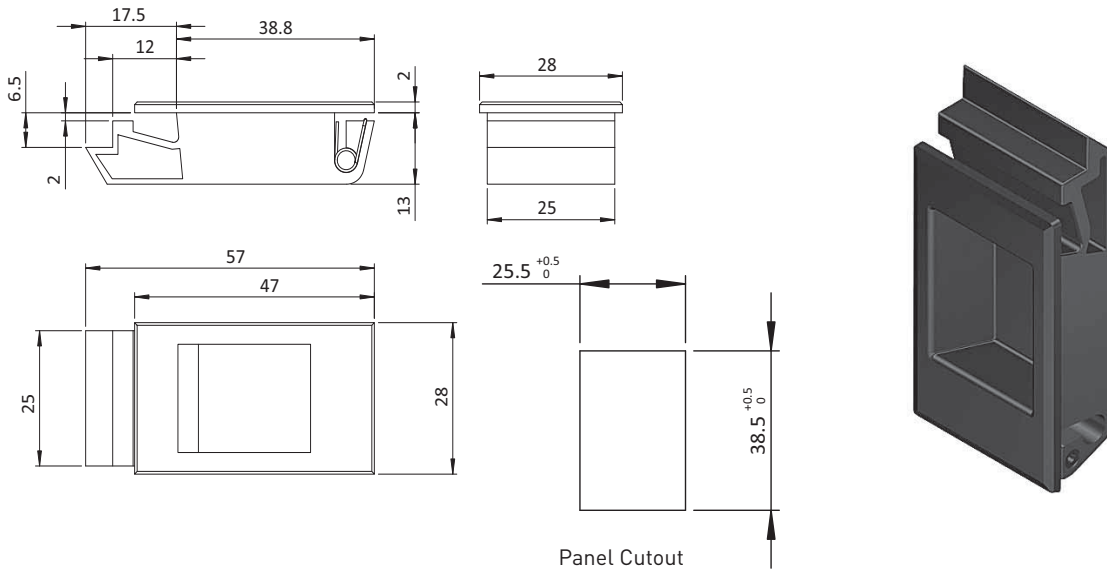
DESCRIPTION	Slam to close latch for panels and doors
MATERIAL	Nylon PA, glass fiber reinforced
COLOR	Black



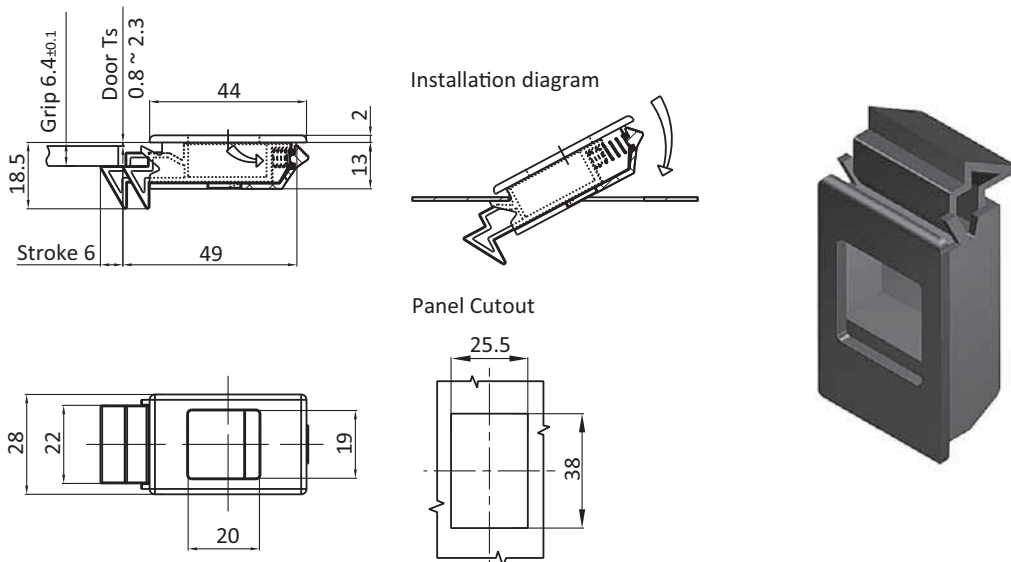
Slide Latch		Part #
	Key Locking FH333	0810094501
	Key Locking FH2233	0810094506

SLIDE LATCH

DESCRIPTION	Slam to close latch for panels and doors
MATERIAL	Housing: ABS Spring: SS
COLOR	Black



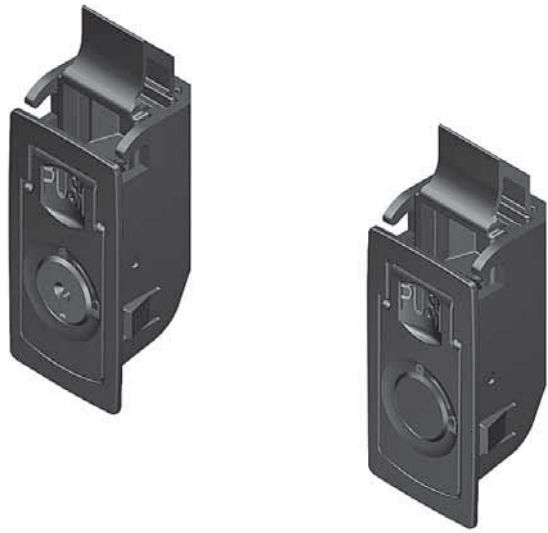
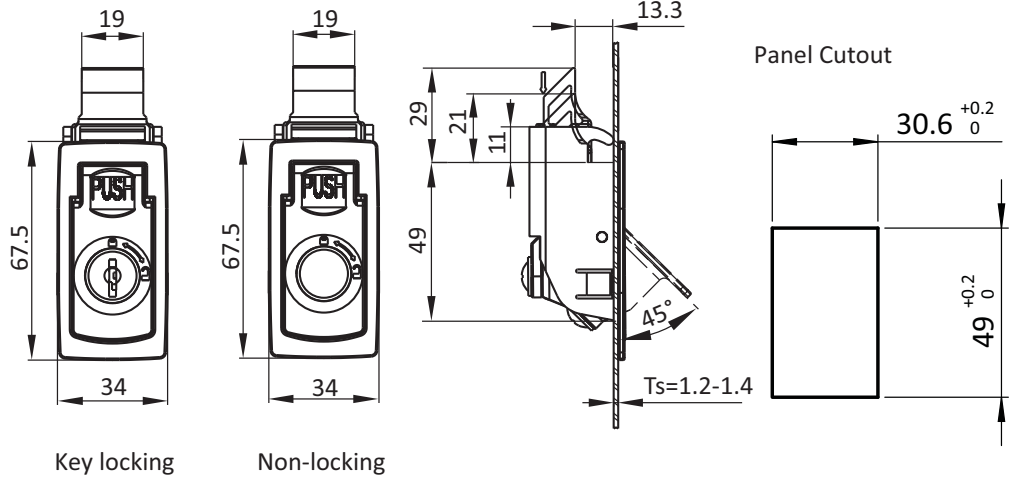
Slide Latch	Panel Thickness	
	0.8 - 1.2	1.2 - 1.5
With Return Spring	089201	089202



Slide Latch	Panel Thickness [mm]	
	0.8 - 2.3	
With Return Spring		0810094

SLAM LATCH

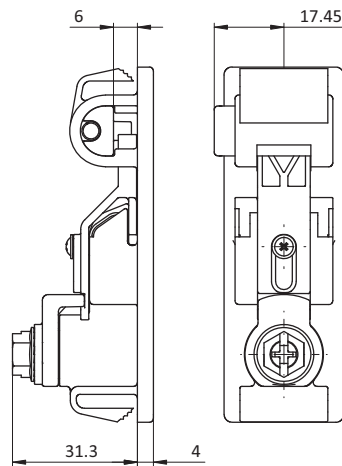
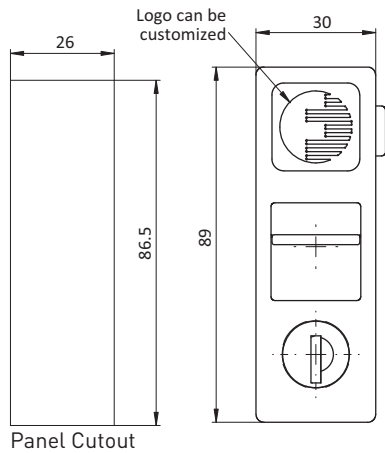
DESCRIPTION	Slam to close latch for easy and secure latching and locking of panels and doors
MATERIAL	Nylon PA, glass fiber reinforced
COLOR	Black



Slam Latch		Part #
	Key Locking FH333	089203
	Non-Locking	089204

SLAM LATCHES

DESCRIPTION	For easy and secure latching and locking of doors and flaps, no mechanical preparation needed for the assembly.
MATERIAL	PA6 30 housing, Die cast zinc bolt
SURFACE	Natural Black
FASTENING	Snap in

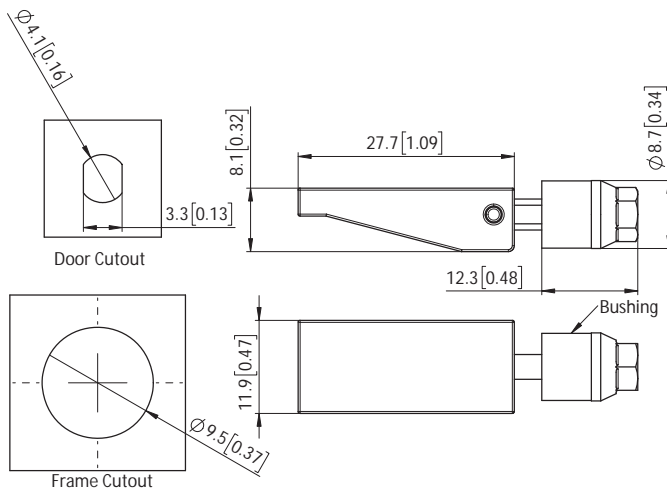


LEFT HAND VERSION SHOWN

Slam Latch - Snap In	Lock	Left Hand	Right Hand
	Keyed FH333	0850197	0850197S02
	Keyed FH751	0850197S03	0850197S04
	Non Locking	0850197S05	0850197S06

EXPANSION LATCH

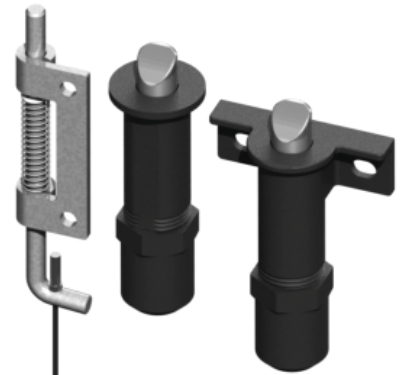
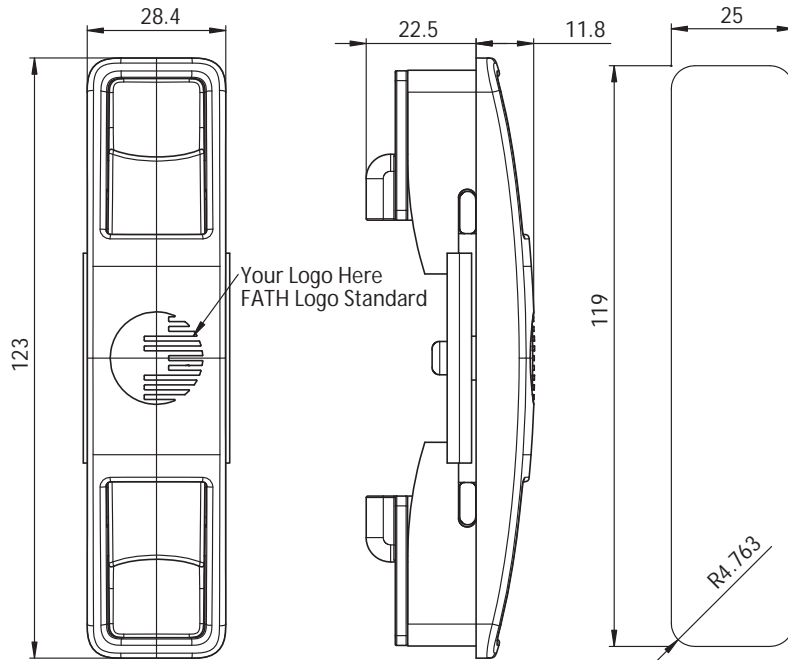
DESCRIPTION	For easy and secure latching and locking of doors and flaps, no mechanical preparation needed for the assembly.
MATERIAL	PA6 30 housing
SURFACE	Black
FASTENING	Swell Latch



Slam Latch	Swell Latch	Part #
		0850487

SLAM LATCHES

DESCRIPTION	For easy and secure latching and locking of doors and flaps, no mechanical preparation needed for the assembly.
MATERIAL	PA6 30, Die cast zinc
SURFACE	Natural Black, Chrome Plated
FASTENING	Screw On



Three Types Of Door Latches. See Page 79-80



Other Key Options Available Upon Request

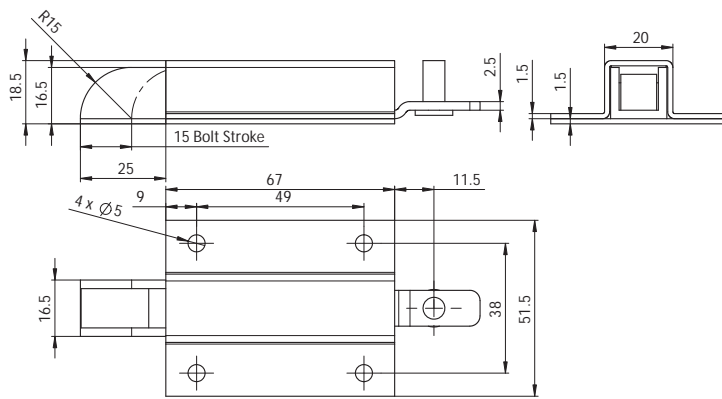


Flexible Cable Top And Bottom Cut To The Height Of Your Door

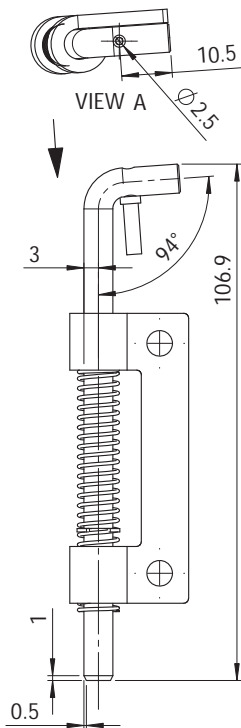
Slam Latch		Part #
	Non Locking	0850484
	8mm Triangular Key Locking	0850484S01

SLAM LATCH ACCESSORIES

DESCRIPTION	Slam to close latch for easy and secure latching and locking of panels and doors
MATERIAL	Mild Steel
COLOR	Clear Zinc Plate



STYLE A

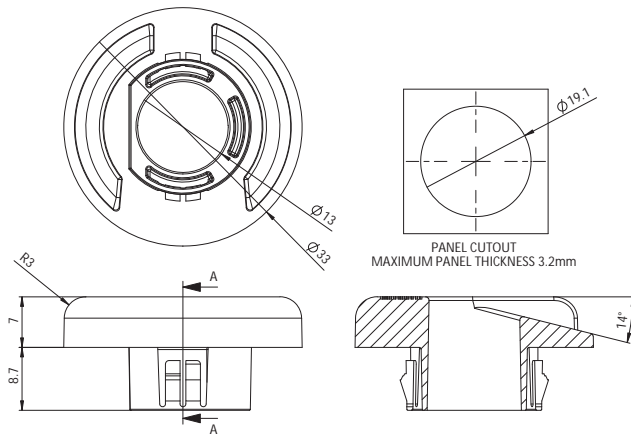
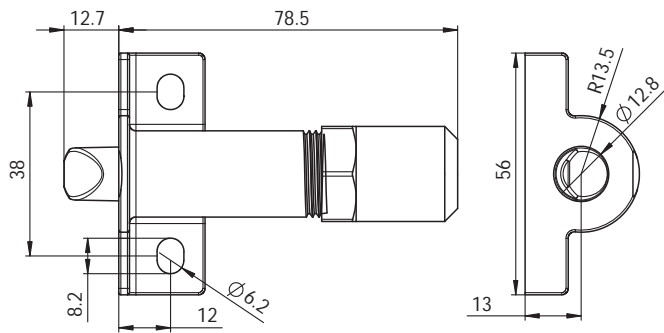
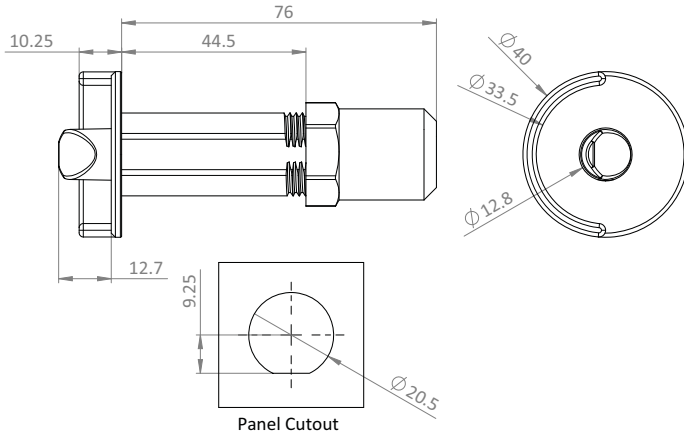


STYLE B

Style	Compression Force	Part #
A	13 Pounds Compression	0814701
A	4.5 Pounds Compression	0814701501
B	NA	CP101780002

SLAM LATCH ACCESSORIES

DESCRIPTION	Slam to close latch accessories for easy and secure latching and locking of panels and doors
MATERIAL	Die Cast Zinc, PA6 30
COLOR	Clear Zinc Plate

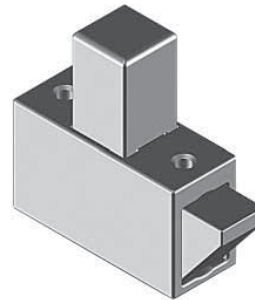
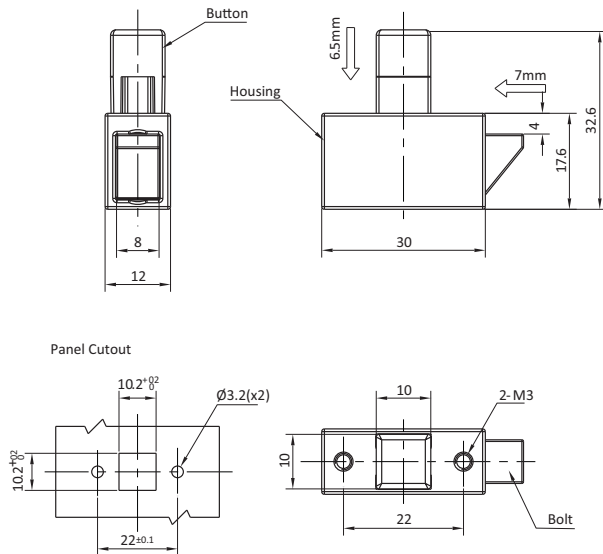


Compression Force

Slam Bolt - D-Hole	Part #	CP10189001
Slam Bolt - Bolt On		CP101809052
Slam Bolt Bushing		0850486

SLAM TO CLOSE PUSHBUTTON LATCH

DESCRIPTION	Slam to close latch for easy and secure latching and locking of panels and doors
MATERIAL	Die cast zinc Spring and pin: Stainless steel
SURFACE	Nickel plated



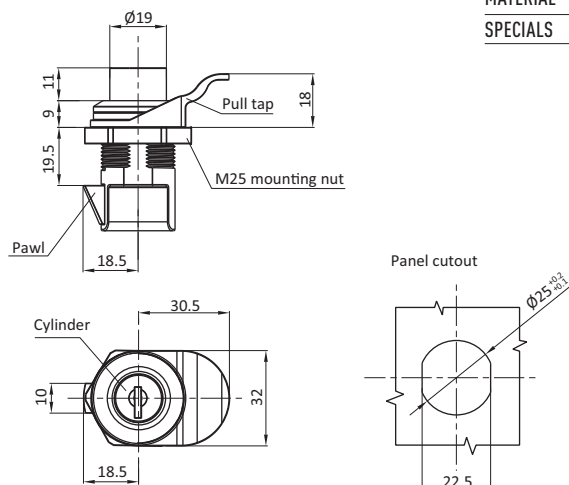
Slam to close Pushbutton Latch

Part #

0813153

PUSH TO CLOSE CATCH

DESCRIPTION	For easy and secure latching and locking of doors and flaps.
MATERIAL	Housing and pull: PA
SPECIALS	Right and left



Push To Close Quarter Turn Locks

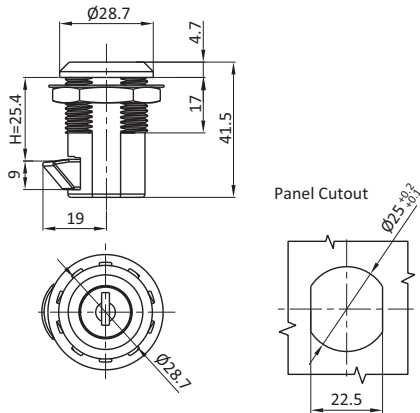
Latch Parallel to Pull

Latch Perpendicular to Pull

Key locking	0810664	0810664S01
Non-locking	0810665	0810665S01

PUSH TO CLOSE SLAM LATCH

DESCRIPTION	Slam to close latch for easy and secure latching and locking of panels and doors
MATERIAL	Housing: Die-cast zinc Cam: Acetal, Black
SURFACE	Chrome plated



Push To Close Slam Latch

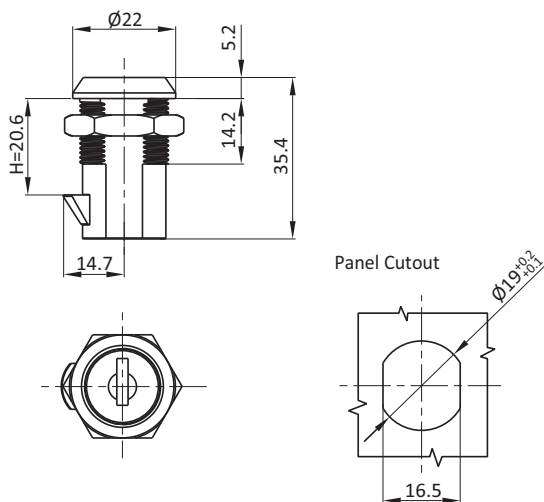
FH751 Key Locking

Part #

0810235

PUSH TO CLOSE SLAM LATCH

DESCRIPTION	Slam to close latch for easy and secure latching and locking of panels and doors
MATERIAL	Die-cast zinc
SURFACE	Chrome plated



Push To Close Slam Latch

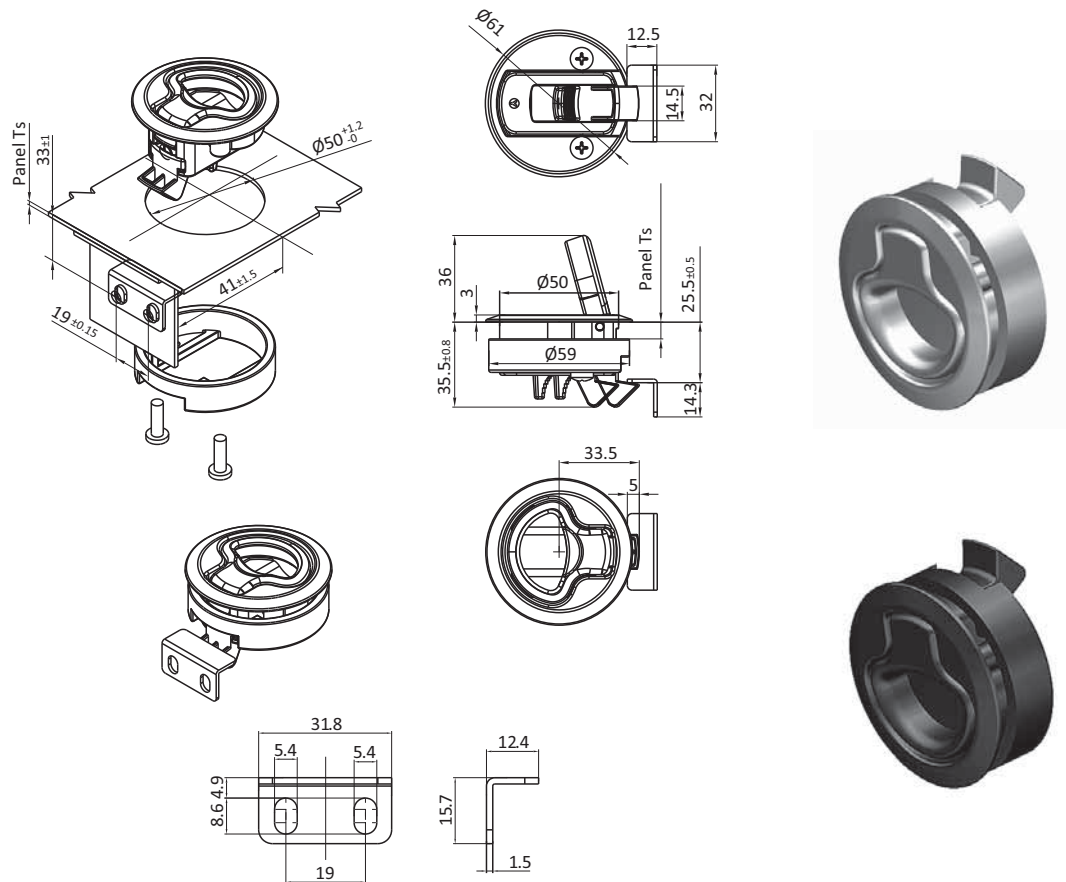
FH751 Key Locking

Part #

0810236

SLAM LATCHES

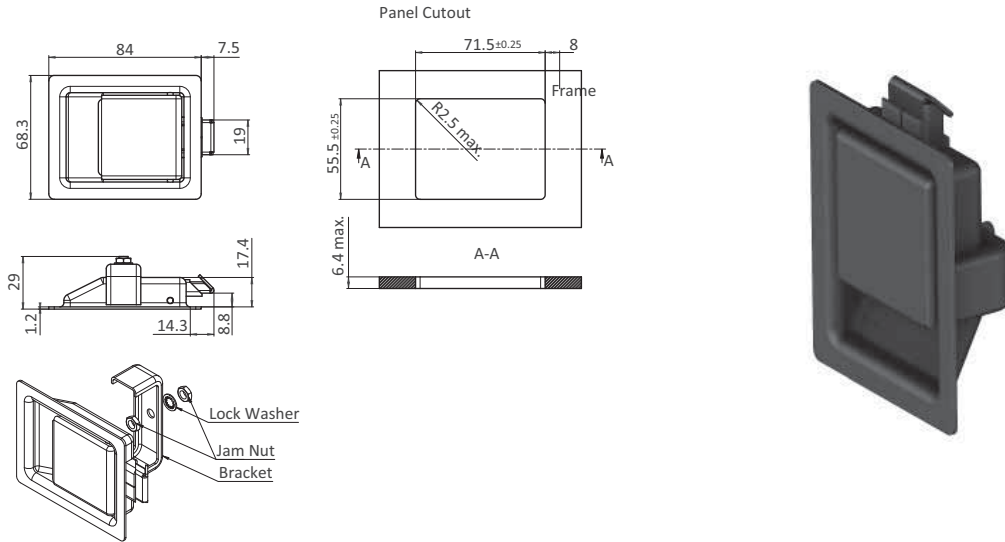
DESCRIPTION	Slam to close latch for easy and secure latching and locking of panels and doors
MATERIAL	PA
COLOR	Black / Grey



Panel Thickness min - max. [mm]	Mounting bracket height [mm]	Fixing screw length [mm]	FH751 Key Locking			Non Locking	
			Acetal black	Acetal Grey	Stainless Steel	Acetal black	Acetal Grey
2 - 7	14	16	0813132	0813133	0813134E	0813134	0813135
7 - 12	14	20	0813136	0813137	0813138E	0813138	0813139
12 - 17	3.8	16	0813140	0813141	0813142E	0813142	0813143
17 - 22	3.8	20	0813144	0813145	0813146E	0813146	0813147

PUSH TO CLOSE PADDLE LATCH

DESCRIPTION	Push to close latch for easy and secure latching and locking of panels and doors
MATERIAL	Mild steel
COLOR	Black powder coated



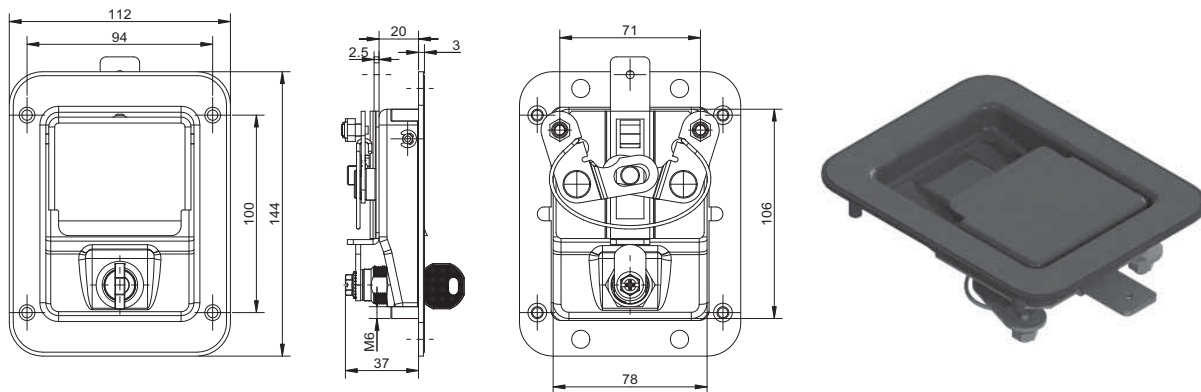
Push To Close Paddle Latch

Part #

0810531

PUSH TO CLOSE PADDLE LATCH

DESCRIPTION	Push to close latch for easy and secure latching and locking of panels and doors. Three point latching
MATERIAL	Mild steel
COLOR	Black powder coated



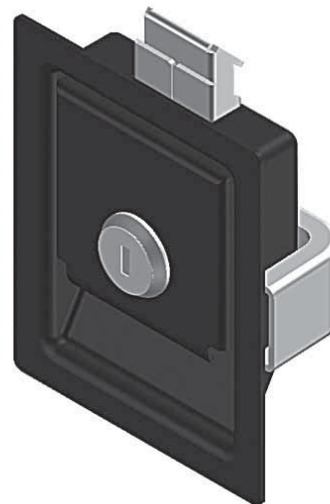
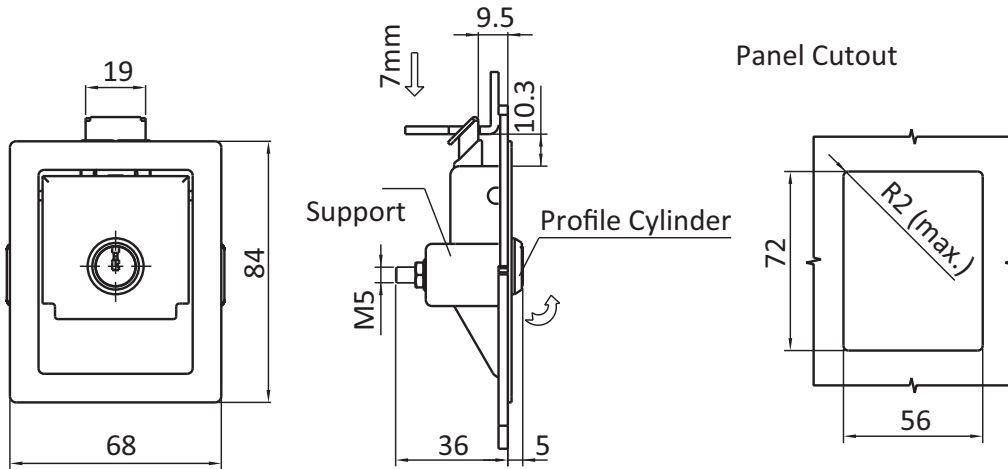
Push To Close Paddle Latch

Part #

0850224

SLAM TO CLOSE PADDLE LATCH

DESCRIPTION	For easy, secure, and compressive latching and locking of doors and flaps
MATERIAL	Pad, handle, hook and hasp: CRS and 304 SS Cam: Mild steel
SURFACE	Dish and cylinder: Black powder coated Cam: Zinc plated

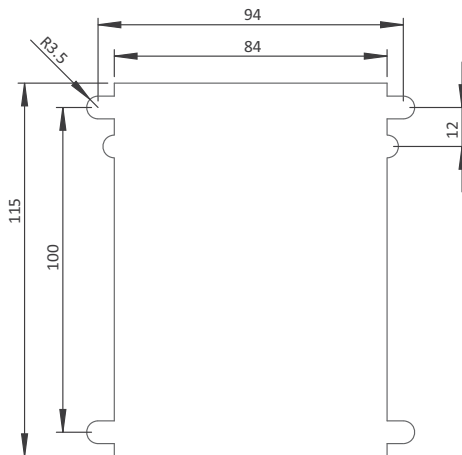
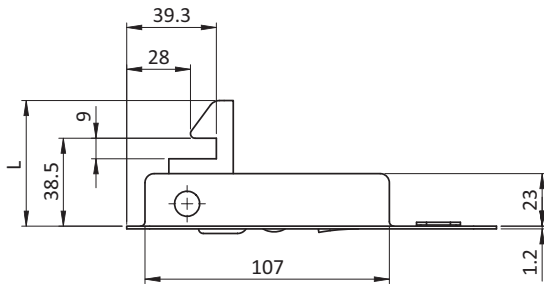
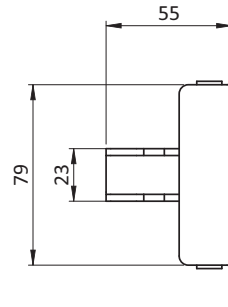
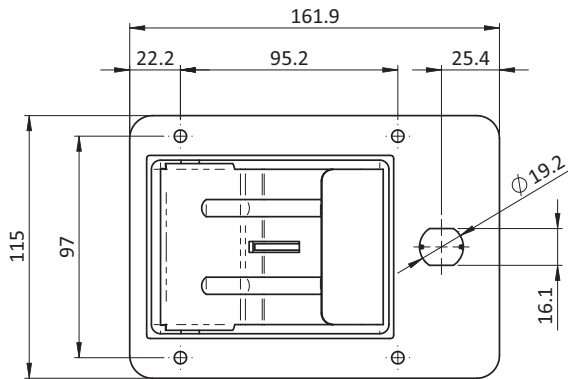


Panel Locks	Version	Die-cast Zinc, black powder coated	304 SS
	With insert	0813149	
	Without insert	0813150	



SLAM TO CLOSE PADDLE LATCH

DESCRIPTION	Slam to close latch for easy and secure latching and locking of panels and doors
MATERIAL	Pad, Handle, Hook and Hasp: CRS
COLOR	Black powder coated
SPECIALS	Pad-Lockable



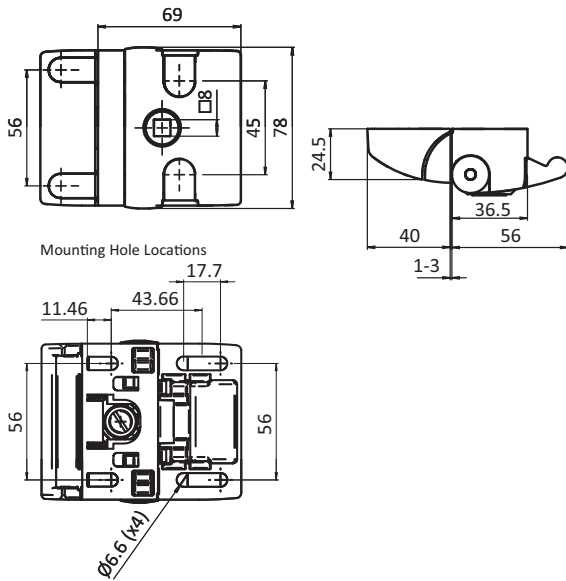
Panel Cutout



Slam to Close Paddle Latch	L [mm]	Part #
	55	0810405
	65	0810406

SLAM/SLIDE LATCHES COMPACT

DESCRIPTION	For easy and secure latching and locking of doors and flaps, no mechanical preparation needed for the assembly; safe against disassembling in the locked position
MATERIAL	Die-cast aluminum
SURFACE	Black powder coated / aluminum color powder coated
FASTENING	From the front, using M6 socket head or pan head screws

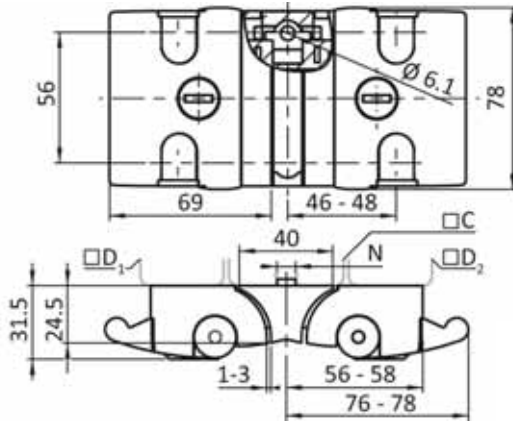


Emergency Opener can be found on page 89

Slam Latch	Surface	Lock	Weight [g]	Part #
SLAM LATCH	Black powder coated	Keyed FH333	235.5	0957408
		Keyed Differently	235.5	0957411
		Non Locking	204.0	0957410
		Square Insert	220.0	0957431
SLAM LATCH	Aluminum color powder coated	Double Bit Insert	220.0	0957432
		Keyed FH333	235.5	0957408S01
		Keyed Differently	235.5	0957411S01
		Non Locking	204.0	0957410S01
SLIDE DOOR LATCH	Black powder coated	Keyed FH333	246.0	0957415
		Keyed Differently	246.0	0957416
		Non-Locking	216.0	0957417

TWIN SLAM LATCH

DESCRIPTION	For easy and secure latching and locking of doors and flaps, no mechanical preparation needed for the assembly; safe against disassembling in the locked position
MATERIAL	Die-cast aluminum
SURFACE	Black powder coated
FASTENING	From the front, using M6 socket head or pan head screws

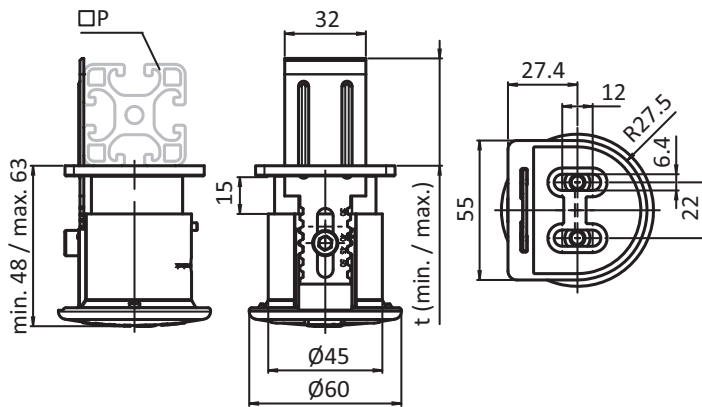


Emergency Opener can be found on page 89

Slam Latch	Lock	Weight [g]	Part #
Black powder coated	Keyed FH333	235.5	0957420S01
	Keyed Differently	235.5	0957420S02

EMERGENCY OPENER FOR SLAM LATCHES

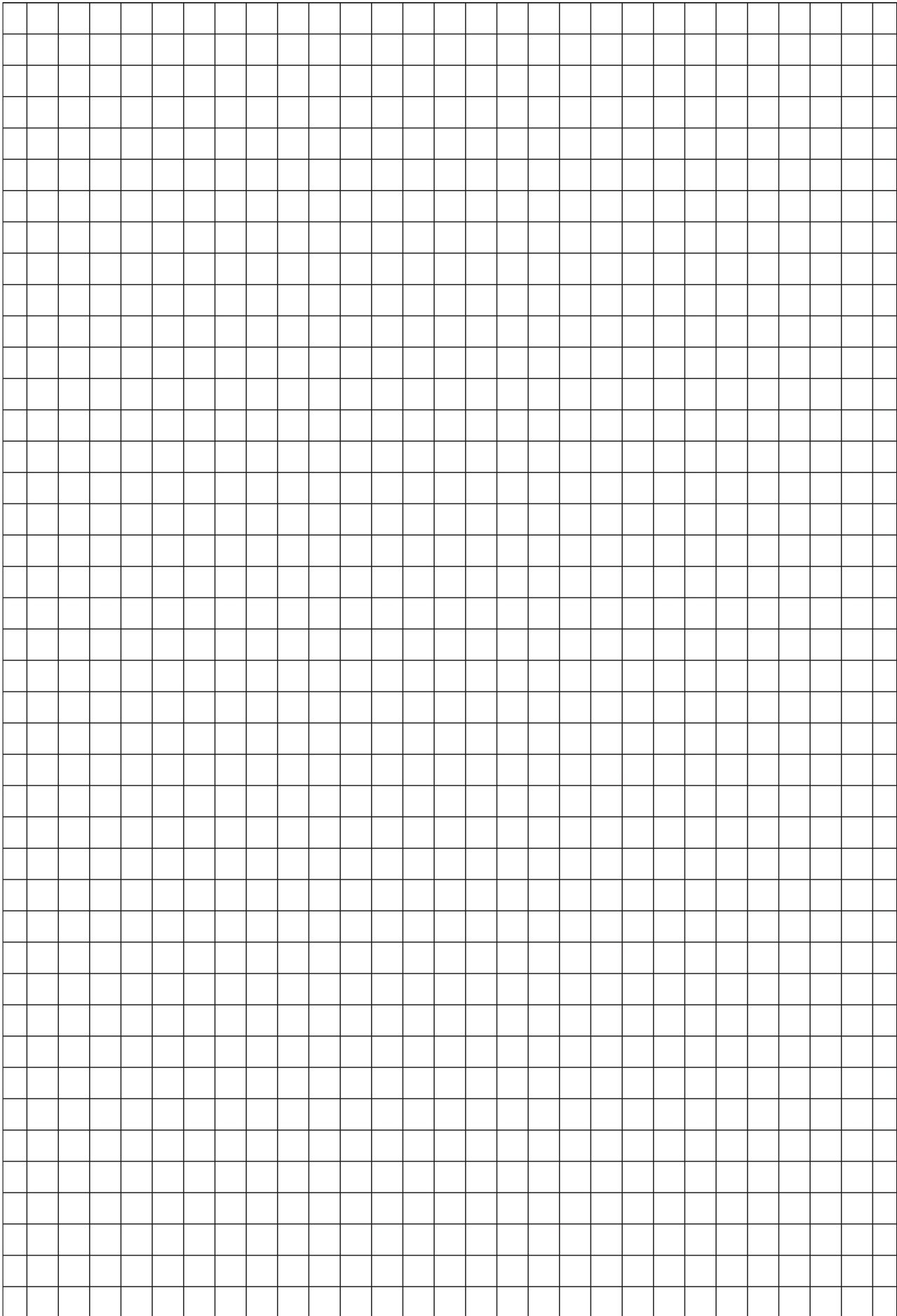
DESCRIPTION	Inside emergency release for slam latches PROe, PRO and Compact; with or without safety catch
MATERIAL	Base part: Nylon PA, glass Fiber reinforced Push button: Nylon PA, glass Fiber reinforced Unlocking plate: Steel
SURFACE	Unlocking plate: Zinc plated
COLOR	Base part: Black Push button: Red ≈RAL 3020
FASTENING	From the front, using two socket head screws DIN 912 M6 x 20, Hardware included



Used for Slam Latches on Pages 87 and 88



Emergency Opener for Slam Latch	t (min.) (mm)	t (max.) (mm)	P (mm)	Weight (g)	Part #
Without safety catch	30	50	30-50	110.8	0957409
	60	80	60-80	115.4	0957409S03
With safety catch	30	50	30-50	110.8	0957409S02



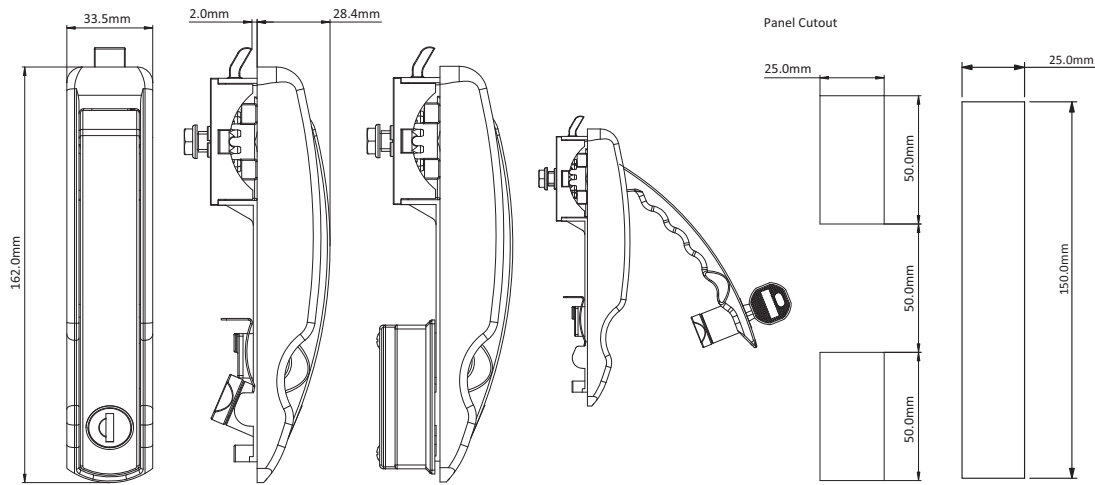
INDUSTRIAL HARDWARE CHAPTER 4: **SWING HANDLES**



CYLINDER LOCK LEVER HANDLE - CAM CONTROL	92
CYLINDER LOCK SWING HANDLE - CAM CONTROL	93-95
PROFILE CYLINDER SWING HANDLE - CAM CONTROL	96-97
CYLINDER LOCK SWING HANDLE - CAM CONTROL	98
PROFILE CYLINDER SWING HANDLE - CAM CONTROL	99
PROFILE CYLINDER LOCK SWING HANDLE - CAM CONTROL	100
CYLINDER LOCK SWING HANDLE - CAM CONTROL	101-105
VANDAL RESISTANT SWING HANDLE	106
PADLOCKABLE SWING HANDLE	107
CYLINDER LOCK SWING HANDLE - ROD CONTROL	108-116
PROFILE CYLINDER LOCK SWING HANDLE - ROD CONTROL	117
CYLINDER LOCK SWING HANDLE - ROD CONTROL	118
COMBINATION LOCK SWING HANDLE	119
CYLINDER LOCK SWING HANDLE - ROD CONTROL	120
CYLINDER LOCK SWING HANDLE - SPECIAL	121
CYLINDER LOCK SWING HANDLE - ROD CONTROL	122

CYLINDER LOCK LEVER HANDLE - CAM CONTROL

DESCRIPTION	For easy and secure latching and locking of doors and flaps. Wide range of inserts, cams, and accessories.
MATERIAL	PA 30% glass filled Mounting bracket, push plate, baffle plate and pin: Stainless steel
SURFACE	Black
SPECIALS	Right and Left Keyed FH333



TOOL-LESS INSTALLATION COVER CAP INSTALLATION
 Mounting panel thickness 1.0-2.0mm



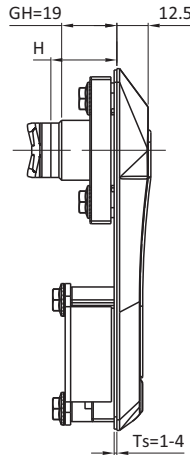
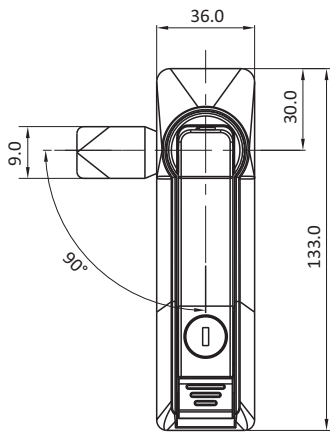
We can incorporate your company logo onto either the front or side of the handle upon request

Examples above

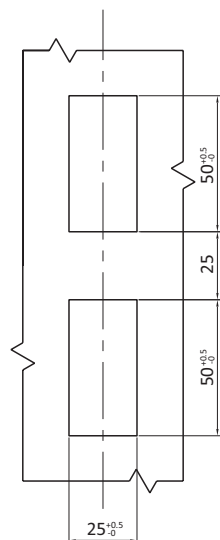
Key Options	Mounting Options	Standard Operation	Spring Assist Operation	Constant Friction Operation
FH333	Tool-Less Installation	0813569	0813569S01	0813569S02
	Dust Cap Installation	0850111	0850111S01	0850111S02
FH2233	Tool-Less Installation	0813569S04	0813569S05	0813569S03
	Dust Cap Installation	0850111S04	0850111S05	0850111S03

CYLINDER LOCK SWING HANDLE - CAM CONTROL

DESCRIPTION	For easy and secure latching and locking of doors and flaps. Wide range of inserts, cams, and accessories.
MATERIAL	Body: Die-cast zinc Hardware: Mild steel
SURFACE	Body: Black powder coated Hardware: Zinc plated
SPECIALS	Right and Left PUR foam gasket Keyed different on request FH751 key code on request Padlockable on request



Panel Cutout



Cylinder Lock Swing Handle - Cam Control

FH333 key

Part #

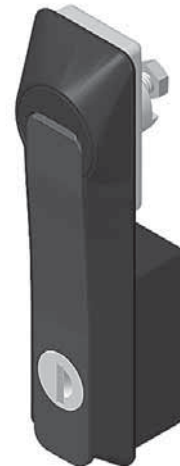
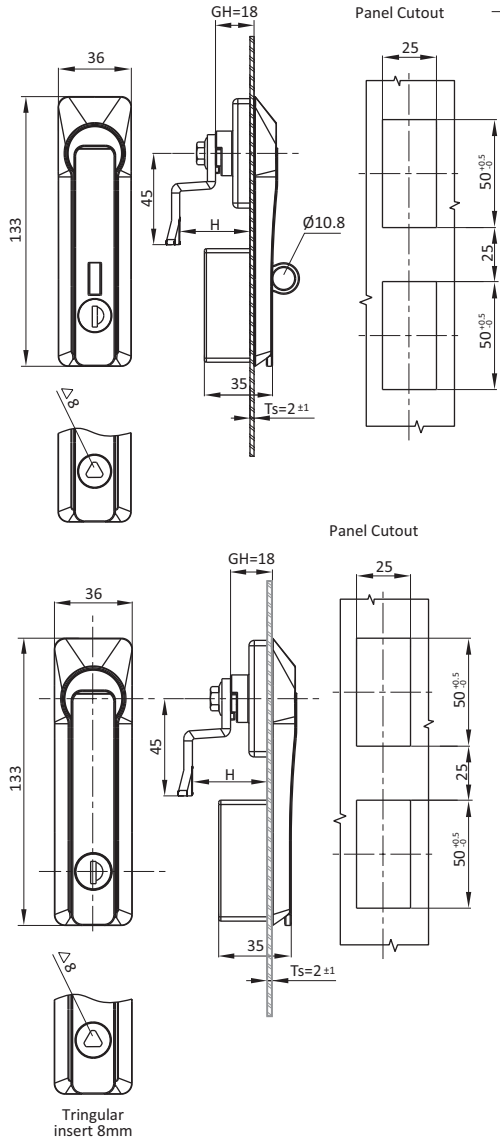
0813201

Compatible cams see pages 47, 213-228



CYLINDER LOCK SWING HANDLE - CAM CONTROL

DESCRIPTION	For easy and secure latching and locking of doors and flaps. Wide range of inserts, cams, and accessories.
MATERIAL	Body: PA, glass fiber reinforced Handle: Die cast zinc Shaft and hardware: Mild steel
COLOR	Body: Black
SURFACE	Shaft and hardware: Zinc plated
SPECIALS	Right and Left Unique key version on request FH751 key code on request

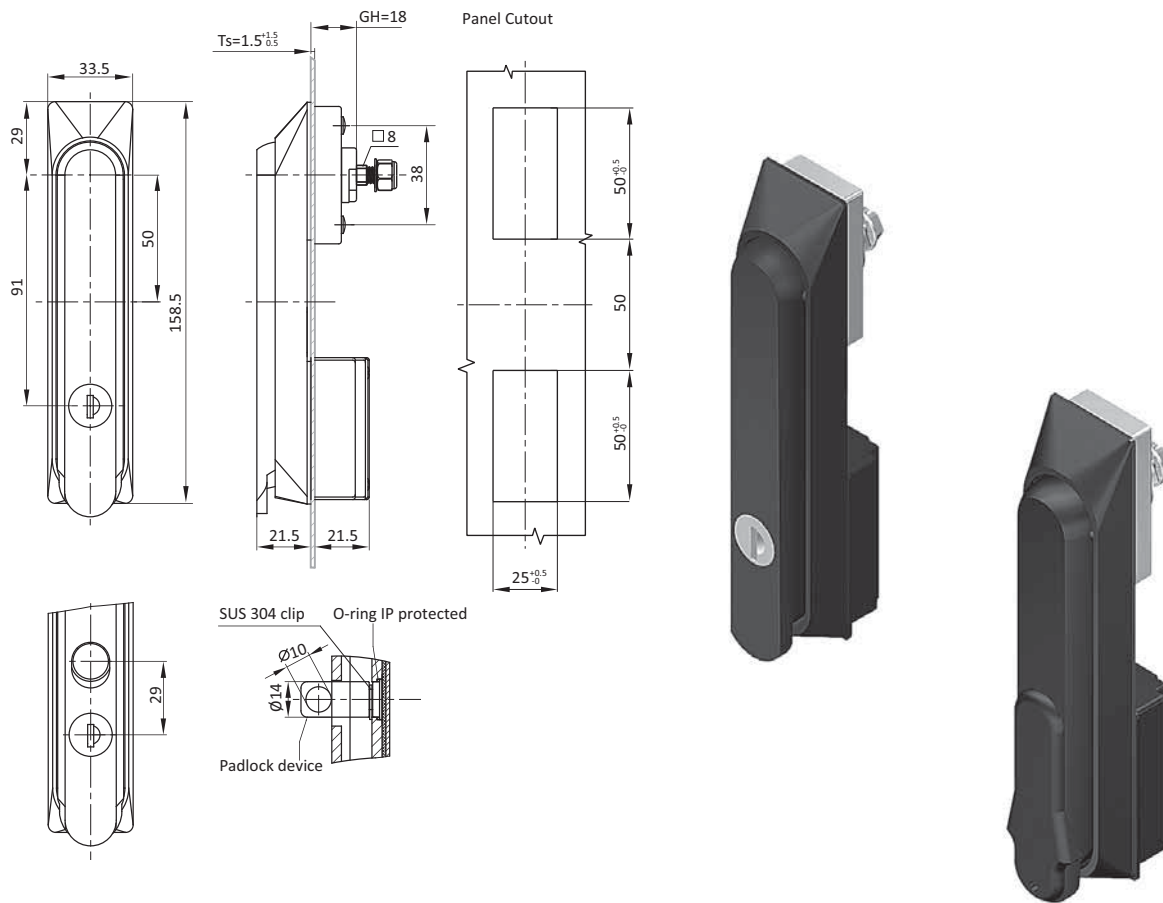


Cylinder Style	Padlock Compatible	Cam control	Cam control
		black E-coated	black powder coated
With dust shutter and FH333 cylinder	Padlockable	0880025	0880029
	Without padlock	0880026	0880030
Triangle insert	Padlockable	0880027	0880031
	Without padlock	0880028	0880032

Compatible cams see pages 47, 213-228

CYLINDER LOCK SWING HANDLE - CAM CONTROL

DESCRIPTION	For easy and secure latching and locking of doors and flaps. Wide range of inserts, cams, and accessories.
MATERIAL	Body: PA, glass fiber reinforced Handle: Die cast zinc Shaft and hardware: Mild steel
COLOR	Body: Black
SURFACE	Shaft and hardware: Zinc plated
SPECIALS	Cam control Right and Left IP65 / NEMA 4 PUR Foam Gasket Unique key version on request FH751 key code on request Padlockable on request



Cylinder Style
FH333 cylinder

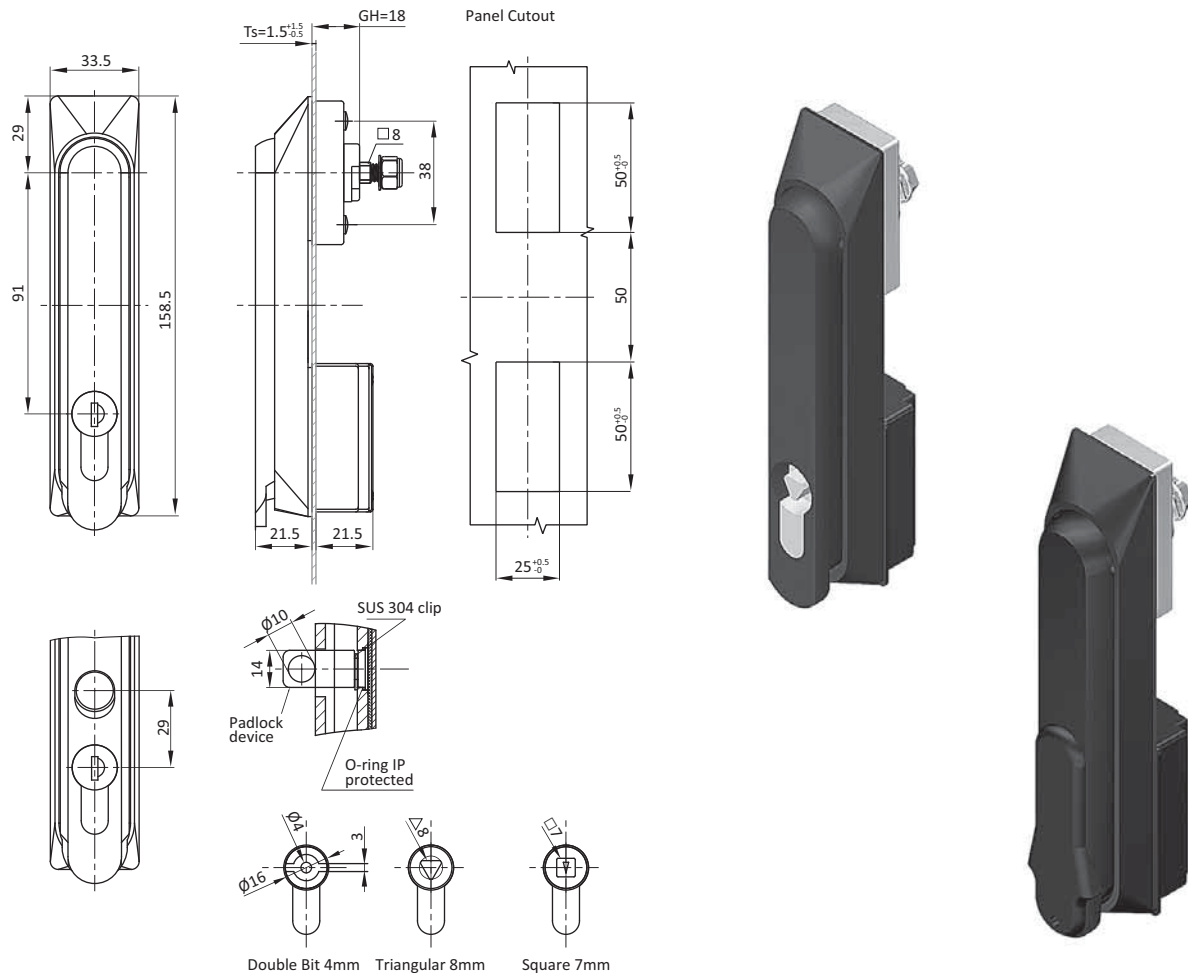
Cam control
 with dust shutter
0880001

Cam control
 without dust shutter
0880005

Compatible cams see pages 47, 213-228
 Chapter 5 and 9 for accessories

PROFILE CYLINDER SWING HANDLE - CAM CONTROL

DESCRIPTION	For easy and secure latching and locking of doors and flaps. Wide range of inserts, cams, and accessories.
MATERIAL	Body: PA, glass fiber reinforced Handle: Die cast zinc Shaft and hardware: Mild steel
COLOR	Body: Black
SURFACE	Shaft and hardware: Zinc plated
SPECIALS	Cam control Right and Left IP65 / NEMA 4 PUR Foam Gasket Unique key version on request FH751 key code on request Padlockable on request

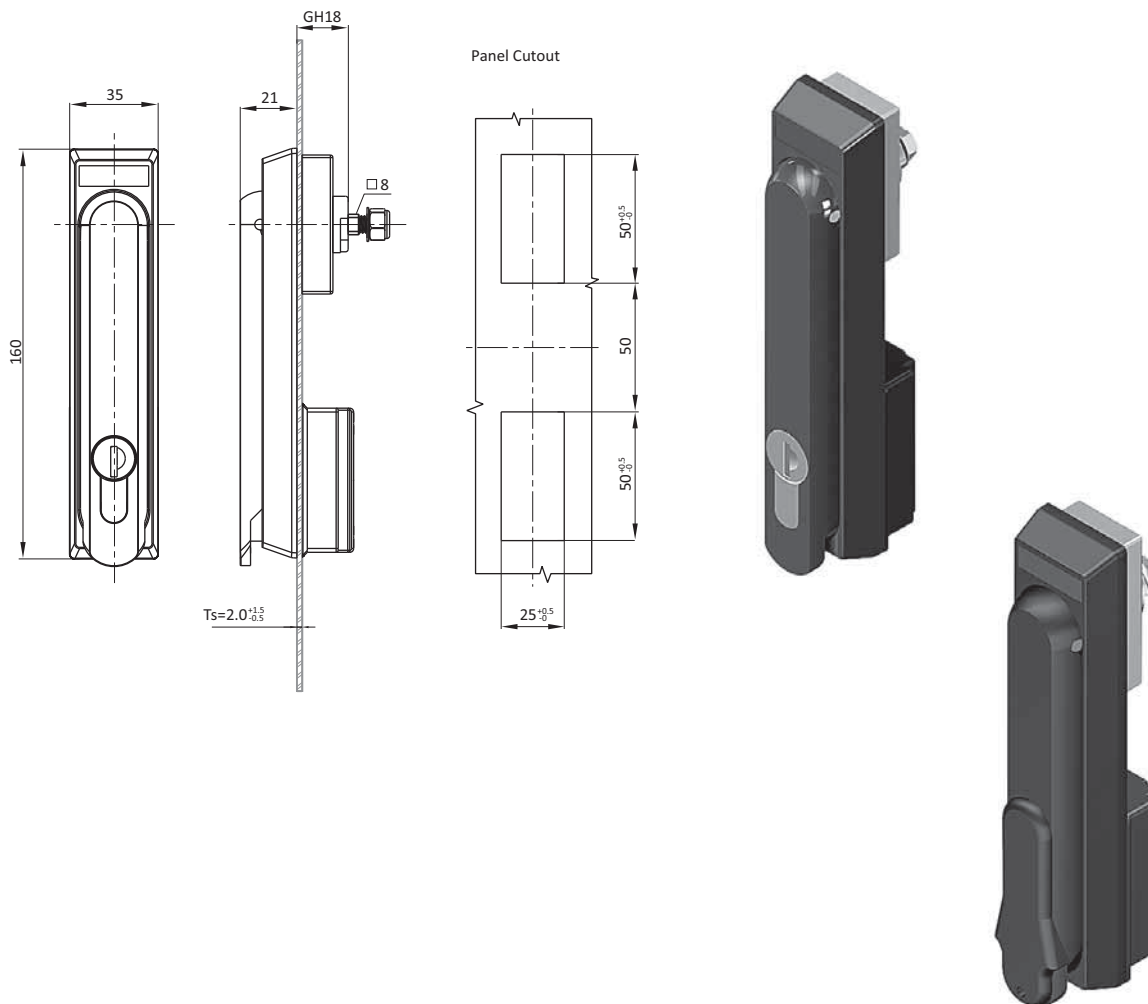


Cylinder Style	Cam control with dust shutter	Cam control without dust shutter
FH333 Profile DIN cylinder	0880009	0880013
Double bit 4mm	0880010	0880014
Triangular 8mm	0880012	0880016
Square 7mm	0880011	0880015

Compatible cams see pages 47, 213-228
 Chapter 5 and 9 for accessories
 Compatible profile cylinder page 124

PROFILE CYLINDER SWING HANDLE - CAM CONTROL

DESCRIPTION	For easy and secure latching and locking of doors and flaps. Wide range of inserts, cams, and accessories.
MATERIAL	Body: Die cast zinc Rod control: Zinc Hardware: Mild steel Padlock option: 304 SS
SURFACE	Black powder coated
SPECIALS	Cam controlled Unique key version on request FH751 key code on request Padlockable on request

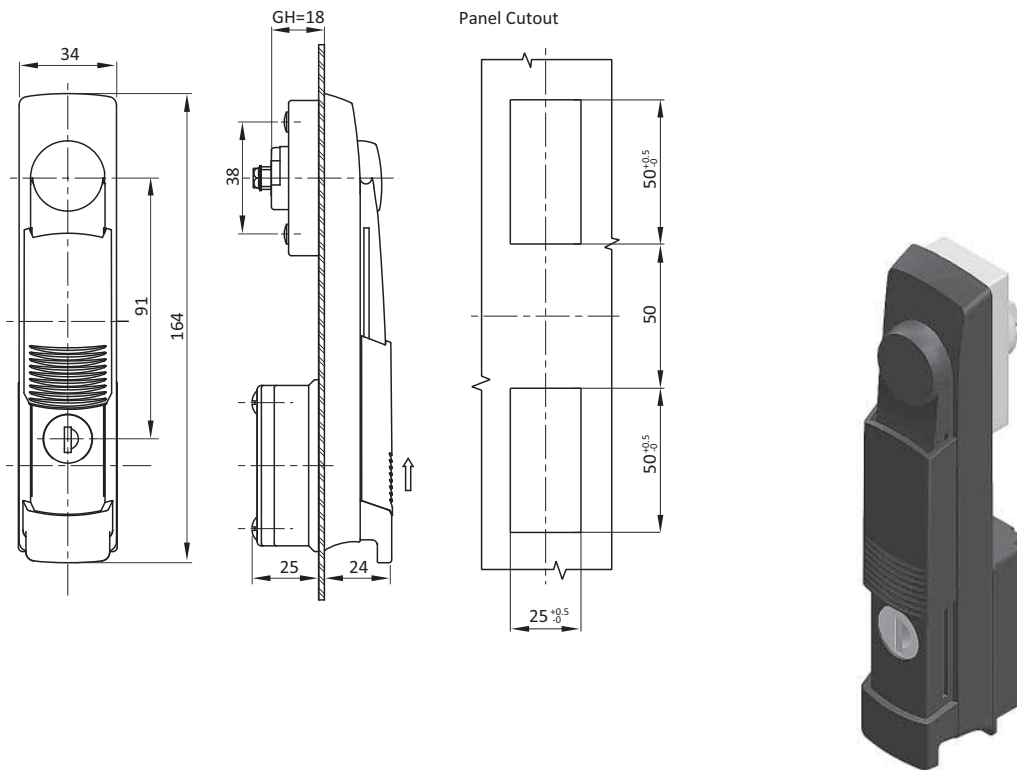


Cylinder Style	Cam control with dust shutter	Cam control without dust shutter
FH333 Profile DIN cylinder	0813154	0813155
Double bit 4mm	0813156	0813157
Square 7mm	0813158	0813159
Triangular 8mm	0813160	0813161

Compatible profile cylinders see page 124
 Compatible cams see pages 47, 213-228

CYLINDER LOCK SWING HANDLE - CAM CONTROL

DESCRIPTION	For easy and secure latching and locking of doors and flaps. Wide range of inserts, cams, and accessories.
MATERIAL	Body: PA, glass fiber reinforced Handle and shaft: Brass Hardware: MS
COLOR	Black
SURFACE	Hardware: Zinc plated
SPECIALS	With dust cover Cam actuated Unique key version on request FH751 key code on request

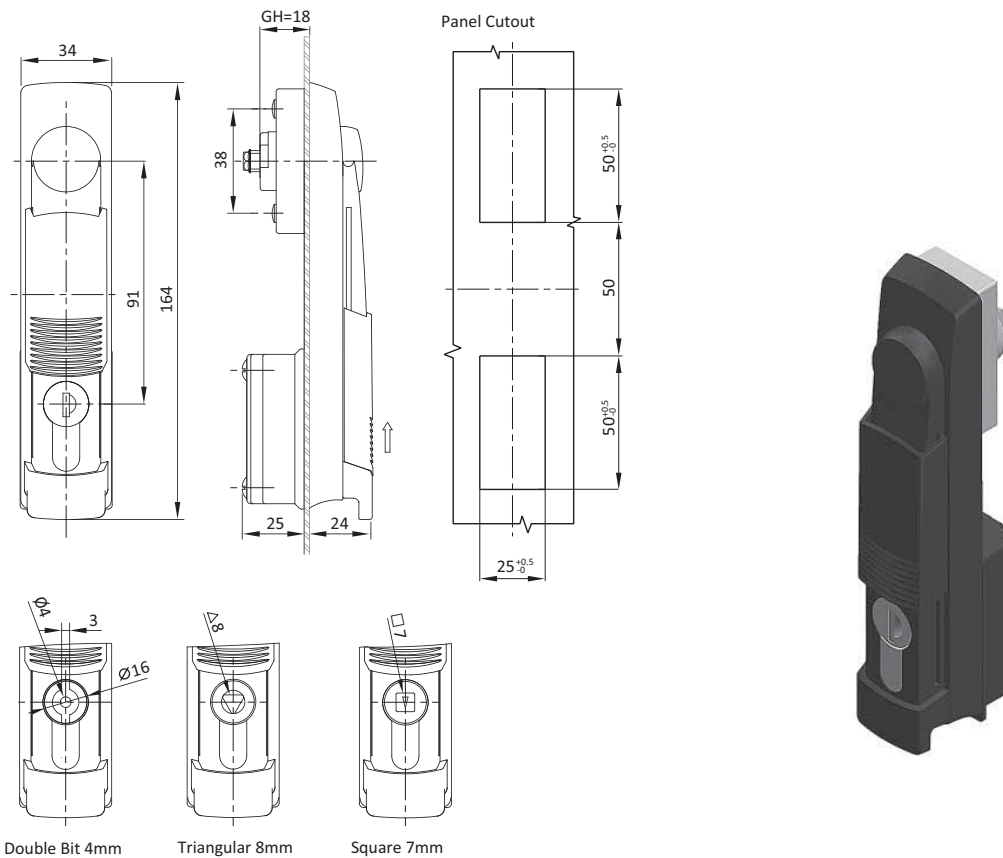


Cylinder Swing Handle	Cylinder Style	Part #
	FH333 round cylinder	0880017
	Double bit 4mm	0880018
	Square 7mm	0880019
	Triangular 8mm	0880020

Compatible cams see pages 47, 213-228

PROFILE CYLINDER SWING HANDLE - CAM CONTROL

DESCRIPTION	For easy and secure latching and locking of doors and flaps. Wide range of inserts, cams, and accessories.
MATERIAL	Body: PA, glass fiber reinforced Shaft: Brass Hardware: Mild steel
COLOR	Body: Black
SPECIALS	With dust cover Right and Left IP65 / NEMA 4 PUR Foam Gasket Unique key version on request FH751 key code on request

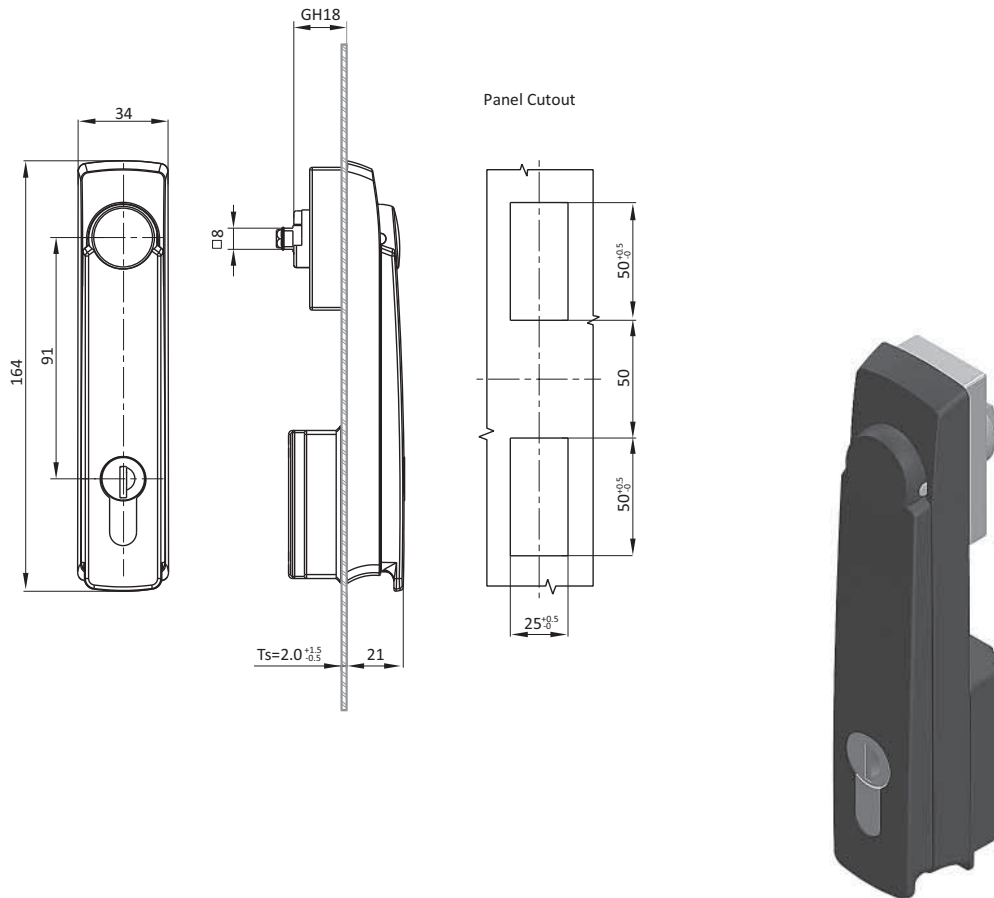


Profile Cylinder Swing Handle - Cam Control	Cylinder Style	Part #
	FH333 Profile DIN cylinder	0880021
	Square 7mm	0880023
	Triangular 8mm	0880024
	Double bit 4mm	0880022

Compatible profile cylinders see page 124
 Compatible cams see pages 47, 213-228

PROFILE CYLINDER LOCK SWING HANDLE - CAM CONTROL

DESCRIPTION	For easy and secure latching and locking of doors and flaps. Wide range of inserts, cams, and accessories.
MATERIAL	Body: PA, glass fiber reinforced Handle and shaft: Die-cast zinc
COLOR	Body: Black
SURFACE	Handle and shaft: Zinc plated
SPECIALS	Right and Left IP65 / NEMA 4 PUR Foam Gasket Unique key version on request FH751 key code on request Padlockable on request

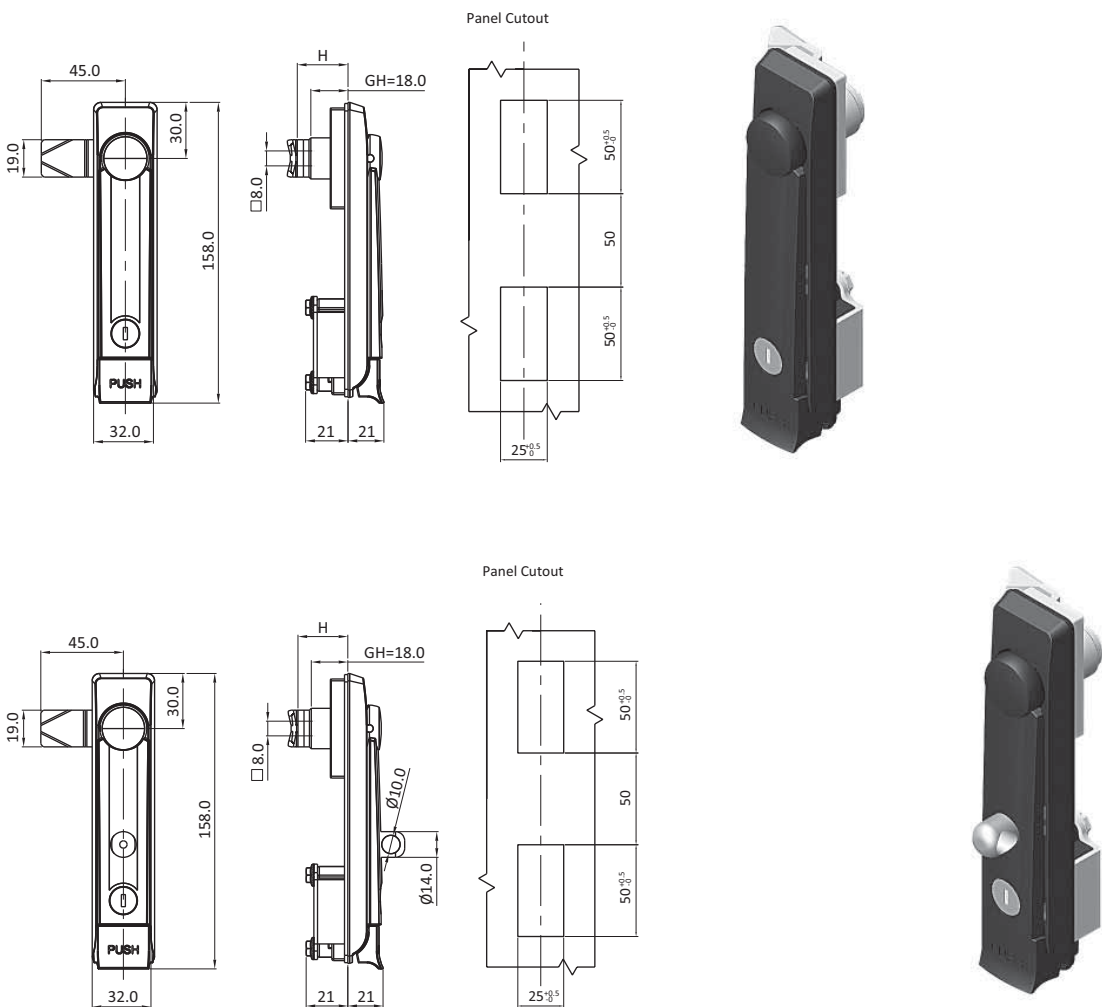


Profile Cylinder Swing Handle - Cam Control	Cylinder Style	Part #
	FH333 Profile DIN cylinder	0813180
	Double bit 4mm	0813181
	Square 7mm	0813182
	Triangular 8mm	0813183

Compatible cams see pages 47, 213-228

CYLINDER LOCK SWING HANDLE - CAM CONTROL

DESCRIPTION	For easy and secure latching and locking of doors and flaps. Wide range of inserts, cams, and accessories.
MATERIAL	Body, handle, and button: Die-cast zinc Cam and rod control: Mild steel
SURFACE	Body, handle, and button: Black powder coated Cam and rod control: Zinc plated
SPECIALS	Right and Left Unique key version on request Unique key version on request FH751 key code on request



Cylinder Lock Swing Handle - Cam Control

Padlock Compatible

Part #

Padlockable

0880037

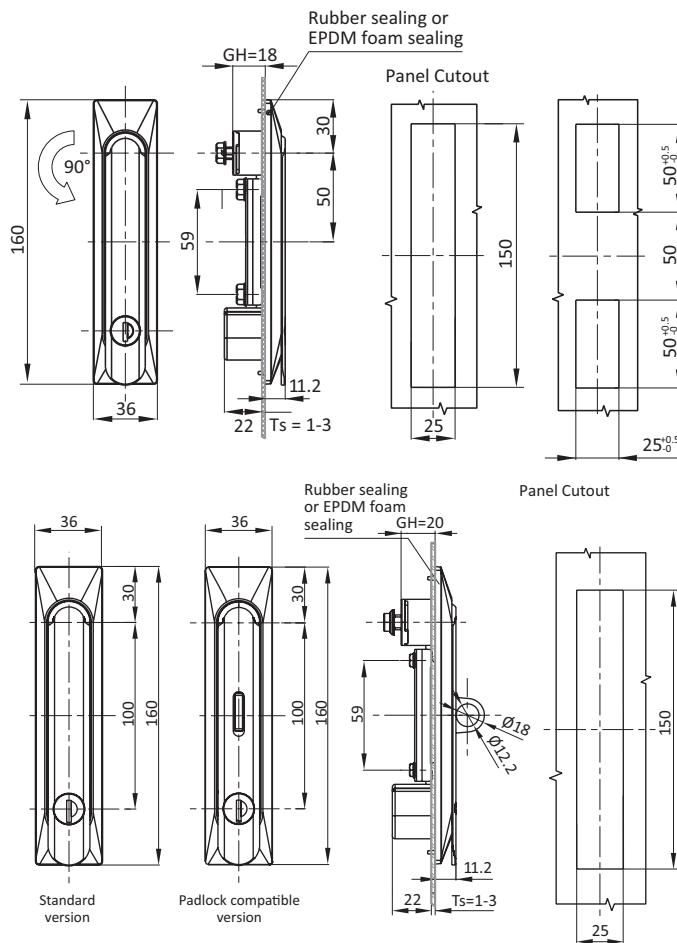
Without padlock

0880039

Compatible cams see pages 47, 213-228

CYLINDER LOCK SWING HANDLE - CAM CONTROL

DESCRIPTION	For easy and secure latching and locking of doors and flaps. Wide range of cams and accessories.
MATERIAL	Body: Die-cast zinc / PA, glass fiber reinforced Handle and shaft: Die-cast zinc Hardware: Mild steel
SURFACE	Black powder coated Hardware: Zinc plated
SPECIALS	Right and left Large Size Unique key version on request FH751 key code on request Padlock version on request



Style A



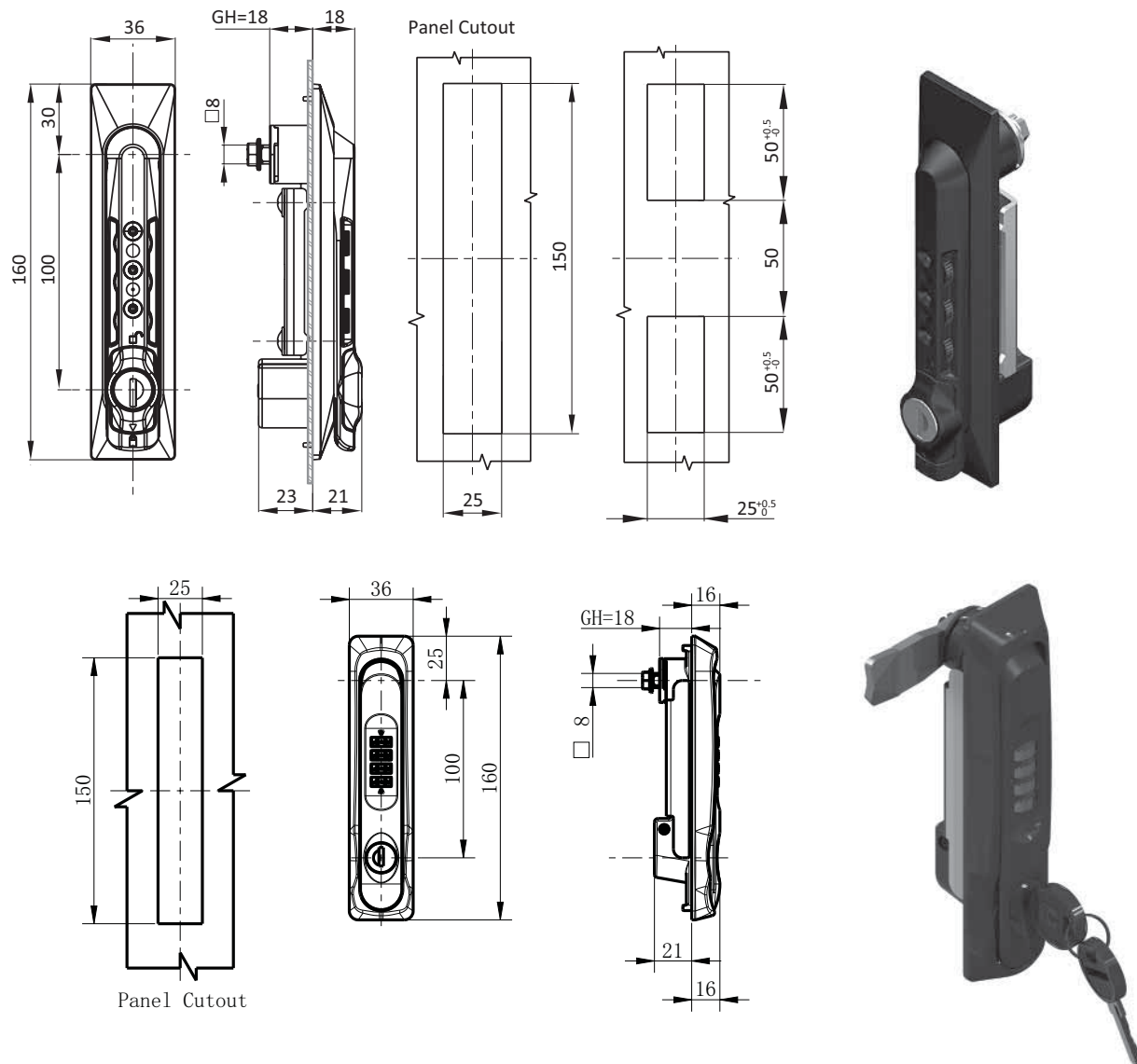
Style B

Profile Cylinder Swing Handle - Cam Control	Style	Insert	Padlock Hasp	GH (mm)	Part #
Die cast handle / PA housing	A	With FH333 key insert	N	18	0880043
Die cast handle / PA housing	A	With FH333 key insert	Y	18	0880043S03
Die cast handle / PA housing	B	With FH333 key insert	N	20	0880044
Die cast handle / PA housing	B	With FH333 key insert	Y	20	0880044S02
Die cast handle and housing	B	With FH333 key insert	N	20	0880045
Die cast handle and housing	B	With FH333 key insert	Y	20	0880045S05
Die cast handle and housing	B	8mm Square drive	N	18	0880045S01
Die cast handle and housing	B	With no key insert	Y	20	0880061
Die cast handle and housing	B	5/16 Female, 3mm Pin	Y	20	0880062S01

Compatible cams see pages 47, 213-228

COMBINATION LOCK SWING HANDLE - CAM STYLE

DESCRIPTION	For easy and secure latching and locking of doors and flaps. Wide range of cams and accessories.
MATERIAL	Body: PA, glass fiber reinforced Handle: PA, glass fiber reinforced Hardware: Mild steel
COLOR	Black
SPECIALS	Right and left Large Size Unique key version on request FH751 key code on request

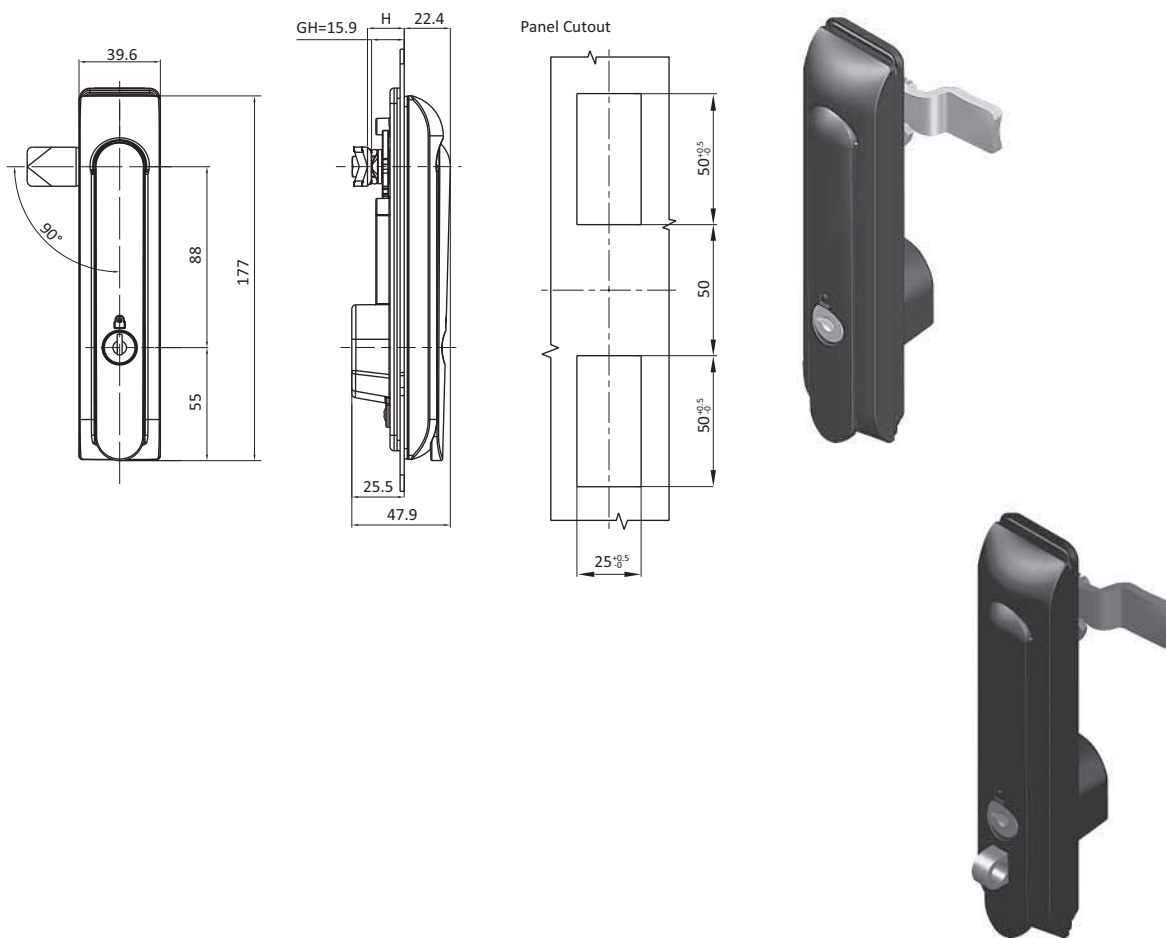


Combination Lock Swing Handle - Cam Control	Keyed	Number of Pins	Part #
	FH333	Three Pin	0880046
	FH333	Four Pin	0850180
	Custom Key Code Available	Four Pin	0850180-XXXX

Compatible cams see pages 47, 213-228

CYLINDER LOCK SWING HANDLE - CAM CONTROL

DESCRIPTION	For easy and secure latching and locking of doors and flaps. Wide range of inserts, cams, and accessories.
MATERIAL	Body: Die-cast zinc Shaft and rod control: Die-cast zinc Hardware: Mild steel
SURFACE	Body: Black powder coated / chrome plated Hardware, shaft and rod control: Zinc plated
SPECIALS	Right and Left IP65 / NEMA 4 Keyed different on request



Cylinder Lock Swing Handle- Cam Control

Padlock Compatible

Black Powder Coated

Chrome Plated

FH751 cylinder

Without padlock

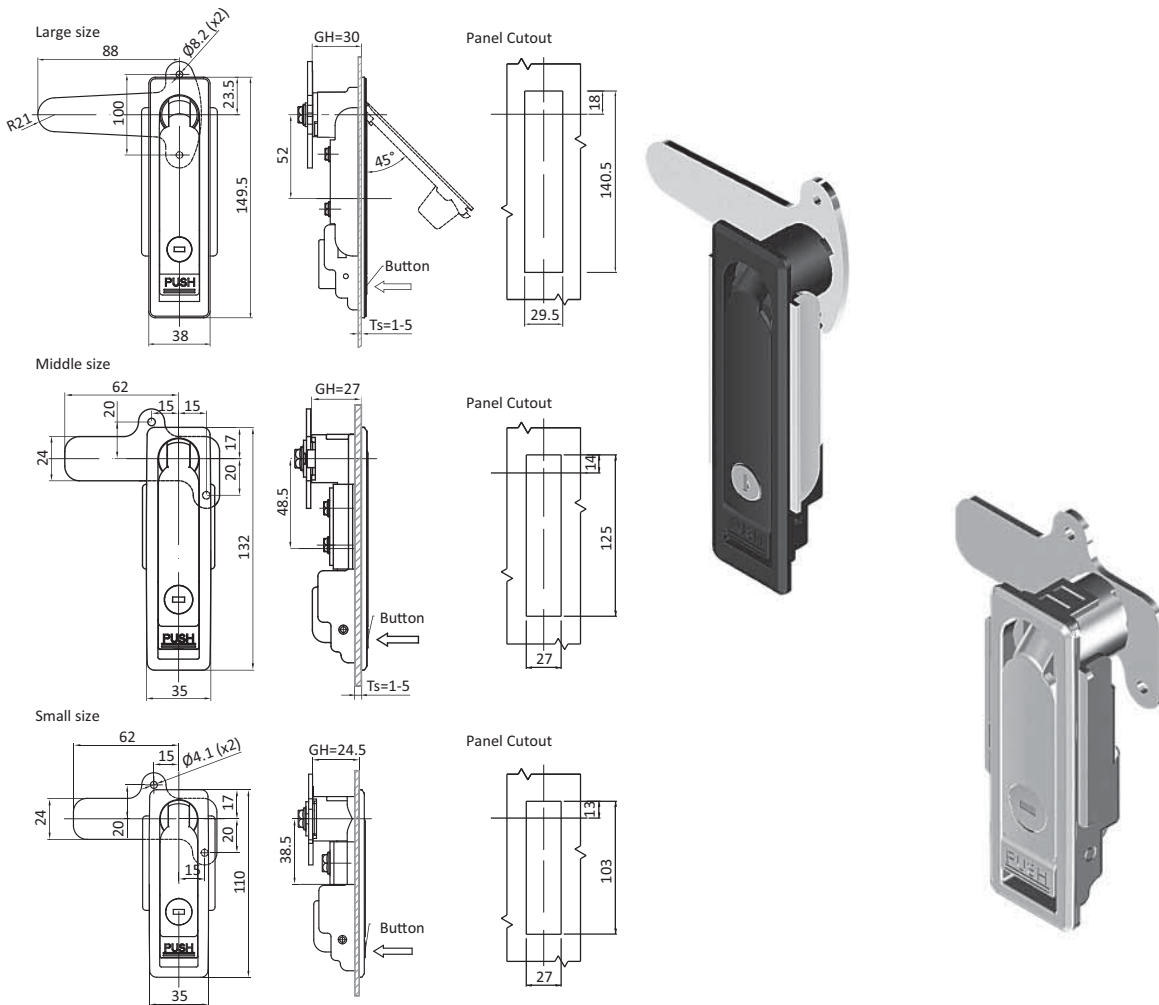
0813206

0813207

Compatible cams see pages 47, 213-228

CYLINDER LOCK SWING HANDLE - CAM CONTROL

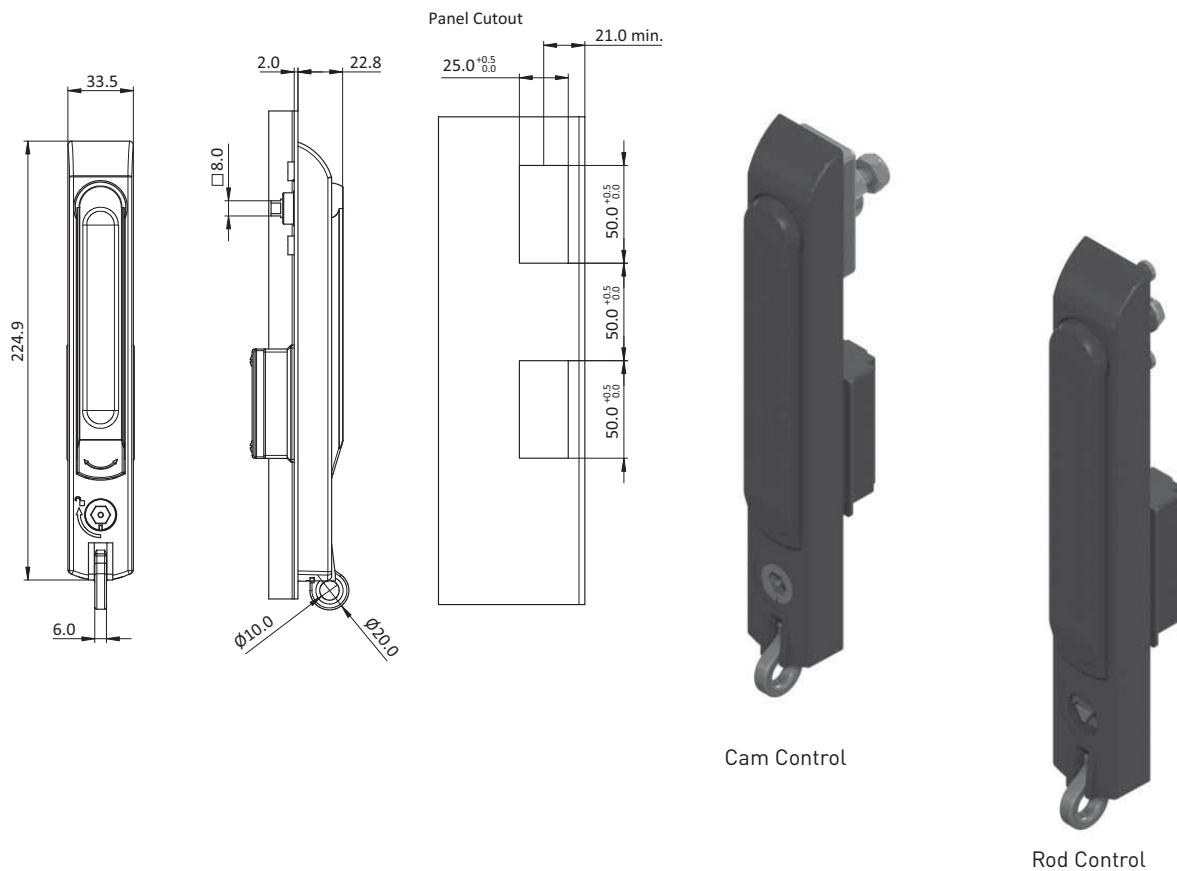
DESCRIPTION	For easy and secure latching and locking of doors and flaps. Wide range of inserts, cams, and accessories.
MATERIAL	Body: Die-cast zinc Cam: Mild steel
SURFACE	Body: Black powder coated / chrome plated Cam: Zinc plated
SPECIALS	Right and Left Push button lock Keyed FH333



Cylinder Lock Swing Handle- Cam Control	Size	Black Powder Coated	Chrome Plated
	Large	0813214	0813215
	Medium	0813216	0813217
	Small	0813491	0813218

VANDAL RESISTANT SWING HANDLE

DESCRIPTION	For easy and secure latching and locking of doors and flaps. Wide range of inserts, cams, and accessories.
MATERIAL	Base: PA, glass fiber reinforced Handle: Die cast zinc Remaining components: 316 SS
COLOR	Black
SPECIALS	Rod Control and Cam Control Right and Left IP65 / NEMA 4 Vandal Resistant Design Lock insert options on request

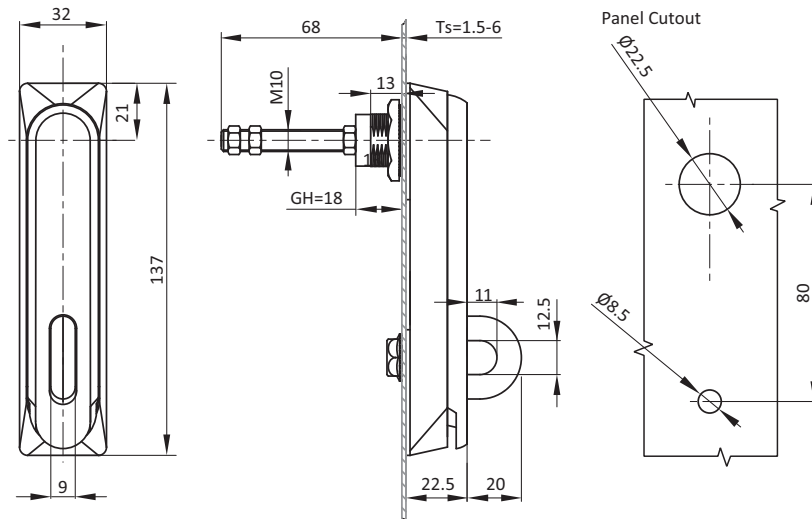


Vandal Resistant Swing Handle	TELCO 216 C 5/16 HEX WITH 0.125 PIN	TELCO 216 C 7/16 HEX	8mm Triangular Insert
Cam Control	0813478	0813479	0850184
Rod Control	0813179	0813475	0850185

Compatible cams see pages 47, 213-228

PADLOCKABLE SWING HANDLE

DESCRIPTION	For easy and secure latching and locking of doors and flaps. Wide range of inserts, cams, and accessories.
MATERIAL	316 SS / 304 SS
SPECIALS	Right and left IP65 / NEMA 4



Padlockable Swing Handle

Stainless Steel 304

Stainless Steel 316

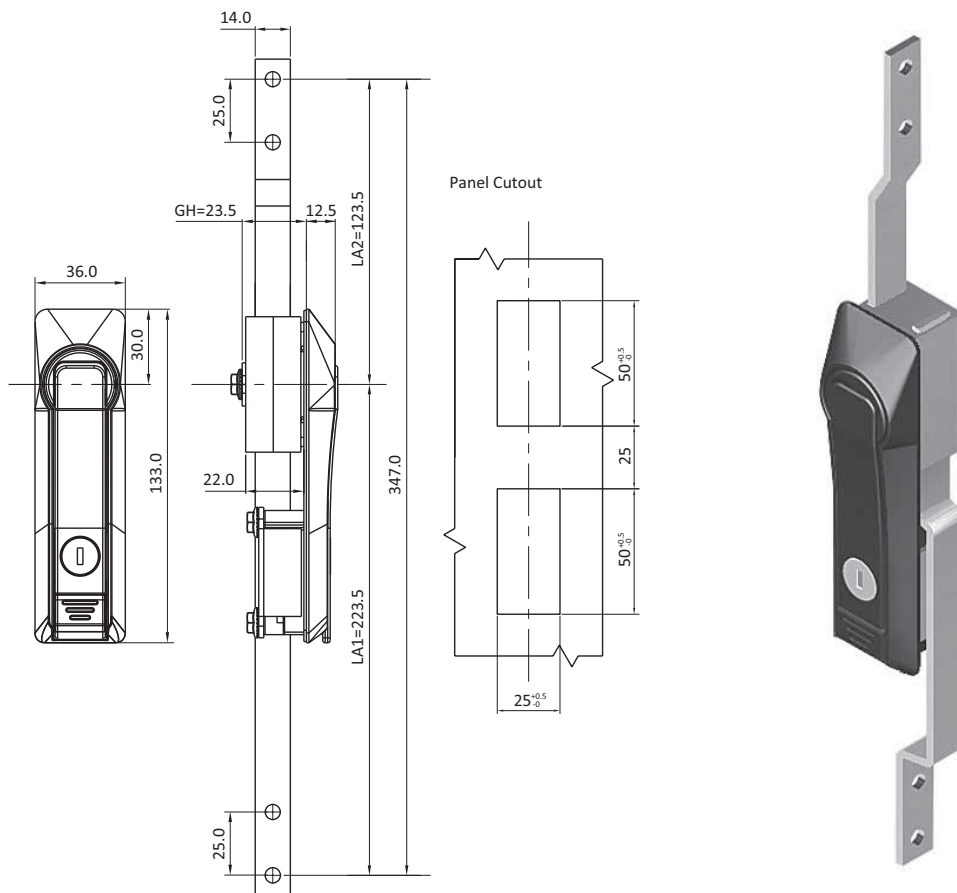
0880055

0880056

Compatible cams see pages 47, 213-228

CYLINDER LOCK SWING HANDLE - ROD CONTROL

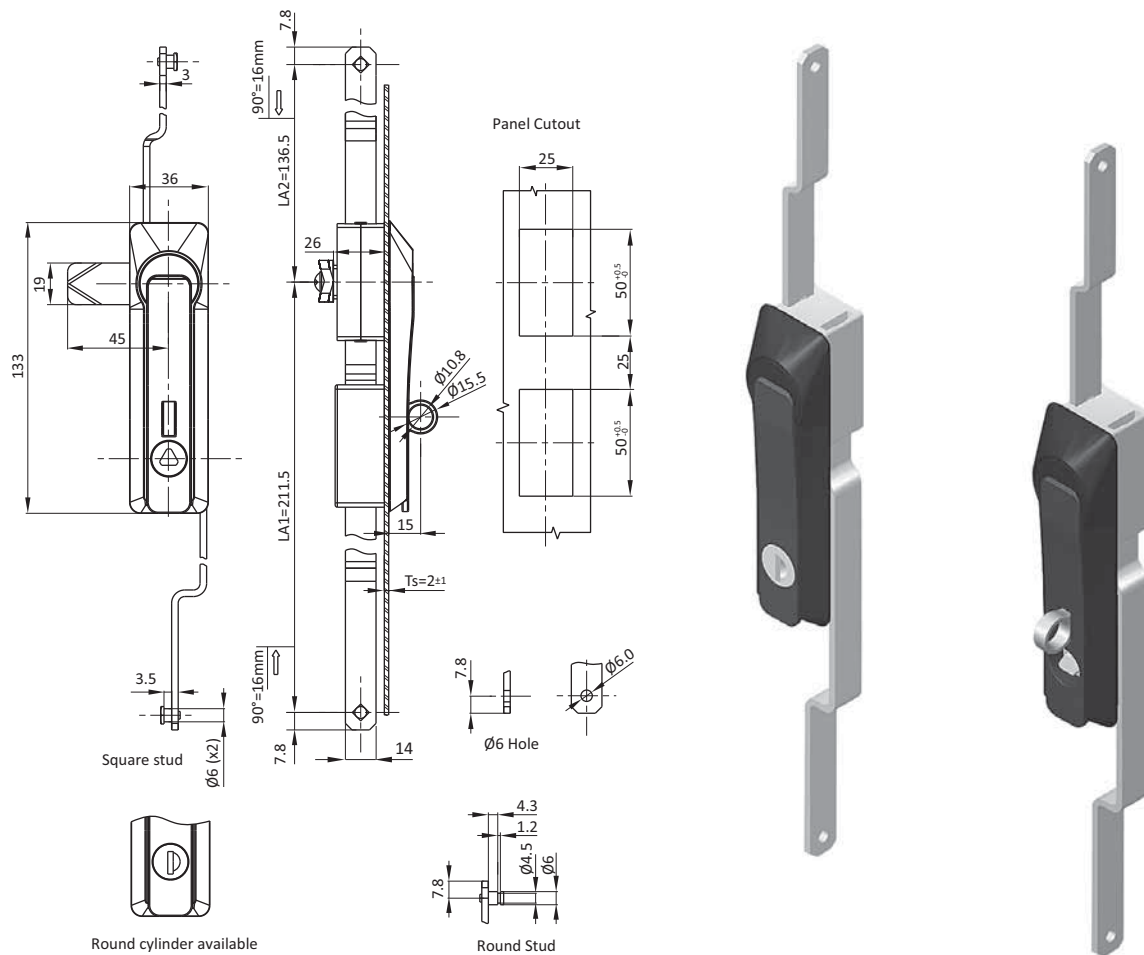
DESCRIPTION	For easy and secure latching and locking of doors and flaps. Wide range of inserts, cams, and accessories.
MATERIAL	Body: Die-cast zinc Shaft and rod control: Die-cast zinc Hardware: Mild steel
SURFACE	Body: Black powder coated Hardware, shaft and rod control: Zinc plated
SPECIALS	Right and Left IP65 / NEMA 4 PUR foam gasket 1193 Series Rod Control Keyed different on request FH751 key code on request Padlockable on request



ROD CONTROL SHOWN AS REFERENCE ONLY

CYLINDER LOCK SWING HANDLE - ROD CONTROL

DESCRIPTION	For easy and secure latching and locking of doors and flaps. Wide range of inserts, cams, and accessories.
MATERIAL	Body and rod control: Die-cast zinc Hardware: Mild steel
SURFACE	Body and rod control: Black powder coated / black E-coated Hardware: Zinc plated
SPECIALS	Right and Left IP65 / NEMA 4 Unique key version on request FH751 key code on request



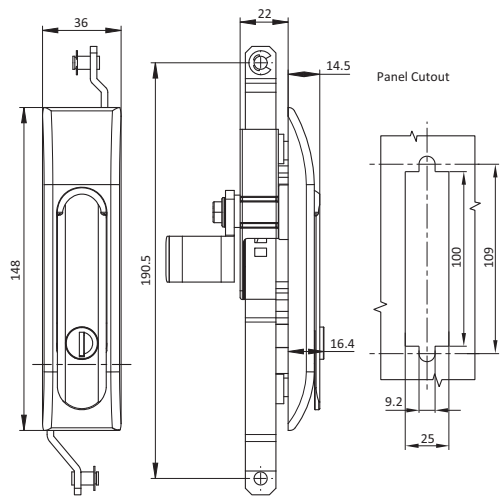
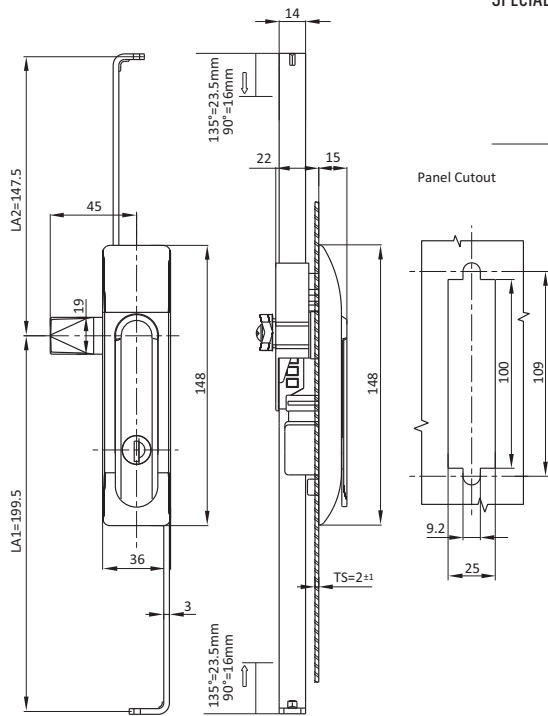
ROD CONTROL SHOWN AS REFERENCE ONLY

Cylinder Lock Swing Handle - Rod Control	Cylinder Style	Padlock Compatible	black E-coated	black powder coated
Rod Control	With dust shutter and FH333 cylinder	Padlockable	0820083	0820087
		Without padlock	0820084	0820088
	Triangle insert	Padlockable	0820085	0820089
		Without padlock	0820086	0820090

Compatible Rod Control see page 116-117
 Chapter 5 and 9 for accessories

CYLINDER LOCK SWING HANDLE - ROD CONTROL

DESCRIPTION	For easy and secure latching and locking of doors and flaps. Wide range of inserts, cams, and accessories.
MATERIAL	Body: PA, glass fiber reinforced Handle: Die-cast zinc Hardware: Mild steel
SURFACE	Body and handle: Black textured powder coated / silver grey powder coated Hardware: Zinc plated
SPECIALS	Right and Left IP65 / NEMA 4 Unique key version on request FH751 key code on request Padlockable on request Keyed FH333



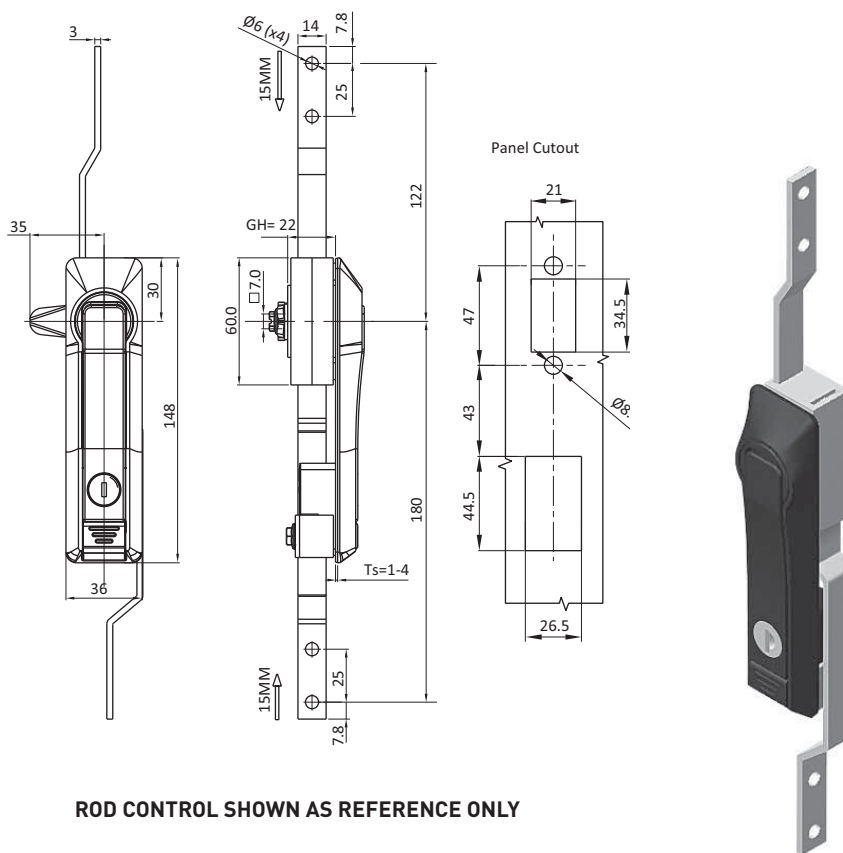
ROD CONTROL SHOWN AS REFERENCE ONLY

Rod control	Black Textured Powder Coated 0811033	Silver Grey Powder Coated 0820141501
-------------	--	--

Compatible Rod Control see page 116-117
 Chapter 5 and 9 for accessories

CYLINDER LOCK SWING HANDLE - ROD CONTROL

DESCRIPTION	For easy and secure latching and locking of doors and flaps. Wide range of inserts, cams, and accessories.
MATERIAL	Body: Die cast zinc Handle: Die cast zinc Hardware: Mild steel
SURFACE	Black powder coated / zinc plated
SPECIALS	Right and Left IP65 / NEMA 4 Keyed FH333 PUR Foam Gasket



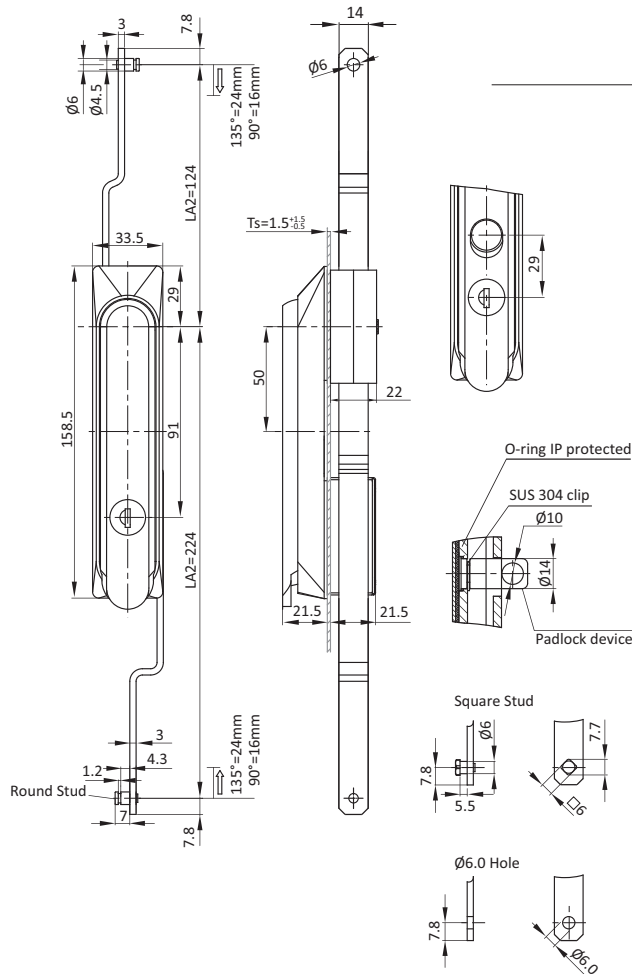
ROD CONTROL SHOWN AS REFERENCE ONLY

	Rod Control	Satin Chrome Plated	Black Powder Coated
With cylinder lock FH333, push to open	Rod control	0880033	0880034
	2 point rod control	0820101	0820102

Compatible Rod Control see page 116-117
 Chapter 5 and 9 for accessories

CYLINDER LOCK SWING HANDLE - ROD CONTROL

DESCRIPTION	For easy and secure latching and locking of doors and flaps. Wide range of inserts, cams, and accessories.
MATERIAL	Body: PA, glass fiber reinforced Shaft and hardware: Mild steel
COLOR	Body: Black
SURFACE	Shaft and hardware: Zinc plated
SPECIALS	Right and Left IP65 / NEMA 4 PUR Foam Gasket Rod Control Unique key version on request FH751 key code on request Padlockable on request



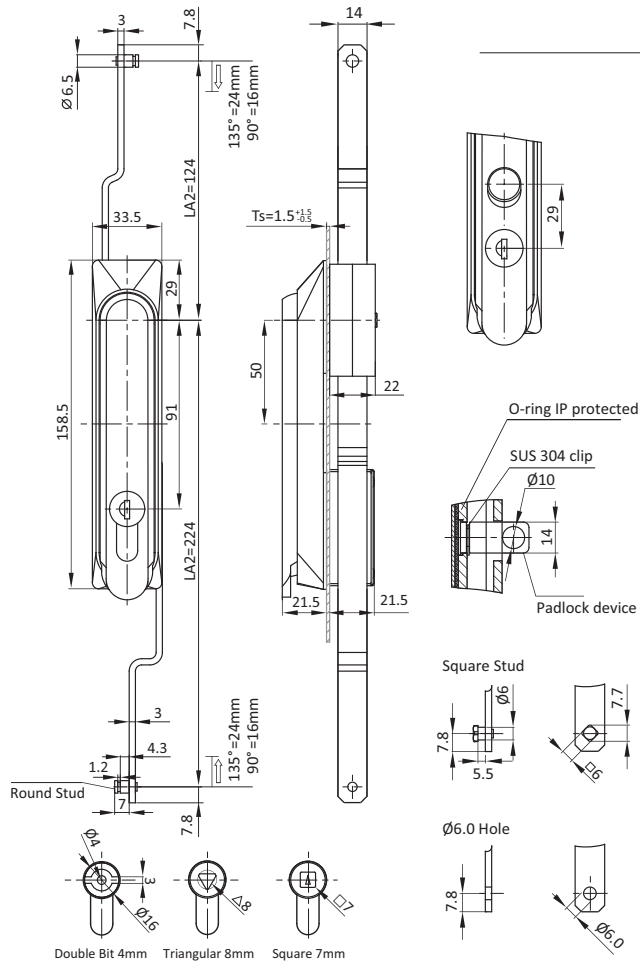
ROD CONTROL SHOWN AS REFERENCE ONLY

	Cylinder Style	with dust shutter	without dust shutter
		Rod Control	FH333 round cylinder
	Double bit 4mm	0820012	0820016
	Square 7mm	0820013	0820017
	Triangular 8mm	0820014	0820018

Compatible rod controls see page 112-113
 Chapter 5 and 9 for accessories

CYLINDER LOCK SWING HANDLE - ROD CONTROL

DESCRIPTION	For easy and secure latching and locking of doors and flaps. Wide range of inserts, cams, and accessories.
MATERIAL	Body: PA, glass fiber reinforced Shaft and hardware: Mild steel
COLOR	Body: Black
SURFACE	Shaft and hardware: Zinc plated
SPECIALS	Right and Left IP65 / NEMA 4 PUR Foam Gasket Rod Control Unique key version on request FH751 key code on request Padlockable on request



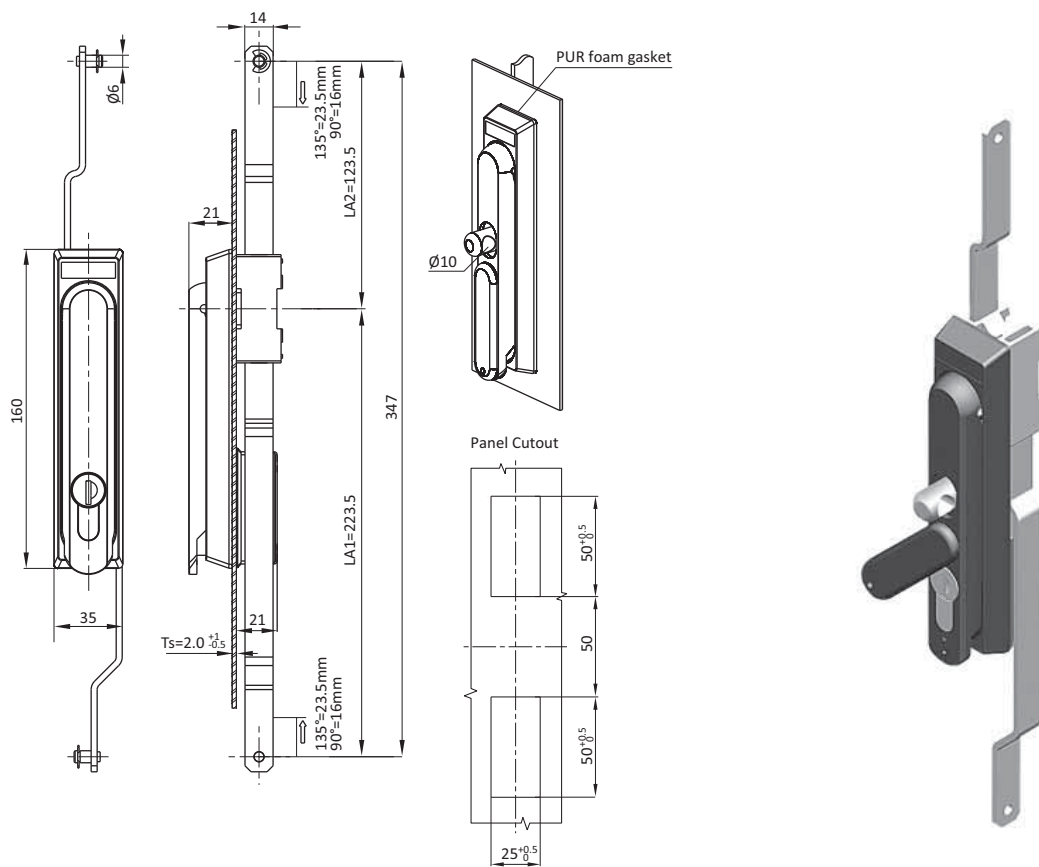
ROD CONTROL SHOWN AS REFERENCE ONLY

	Cylinder Style	with dust shutter	without dust shutter
Rod Control	FH333 Profile DIN cylinder	0820035	0820039
	Double bit 4mm	0820036	0820040
	Square 7mm	0820037	0820041
	Triangular 8mm	0820038	0820042

Compatible rod controls see page 112-113
 Compatible profile cylinder page 119

CYLINDER LOCK SWING HANDLE - ROD CONTROL

DESCRIPTION	For easy and secure latching and locking of doors and flaps. Wide range of inserts, cams, and accessories.
MATERIAL	Die-cast zinc
SURFACE	Black powder coated
SPECIALS	Rod Control Right and Left IP65 / NEMA 4 Unique key version on request FH751 key code on request Comes with padlock hasp



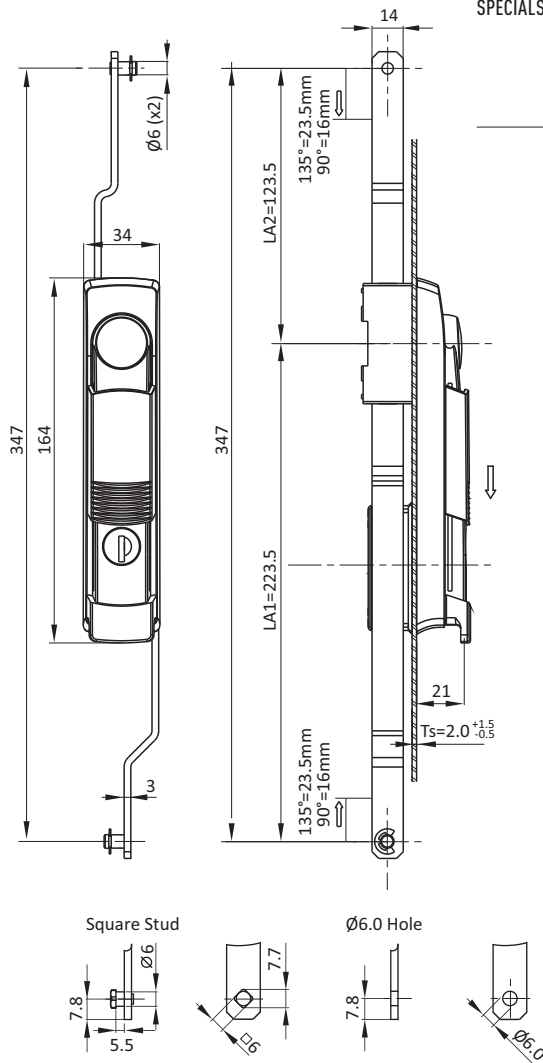
ROD CONTROL SHOWN AS REFERENCE ONLY

	Cylinder Style	with dust shutter	without dust shutter
Rod Control	FH333 Profile DIN cylinder	0813162	0813163
	Double bit 4mm	0813166	0813167
	Square 7mm	0813170	0813171
	Triangular 8mm	0813174	0813175

Compatible profile cylinders see page 124
 Compatible rod controls see pages 112-113

CYLINDER LOCK SWING HANDLE - ROD CONTROL

DESCRIPTION	For easy and secure latching and locking of doors and flaps. Wide range of inserts, cams, and accessories.
MATERIAL	Body: PA, glass fiber reinforced Rod control and shaft: Die-cast zinc Hardware: Mild steel
COLOR	Body: Black
SURFACE	Shaft: Zinc plated
SPECIALS	Right and Left IP65 / NEMA 4 PUR Foam Gasket Unique key version on request FH751 key code on request



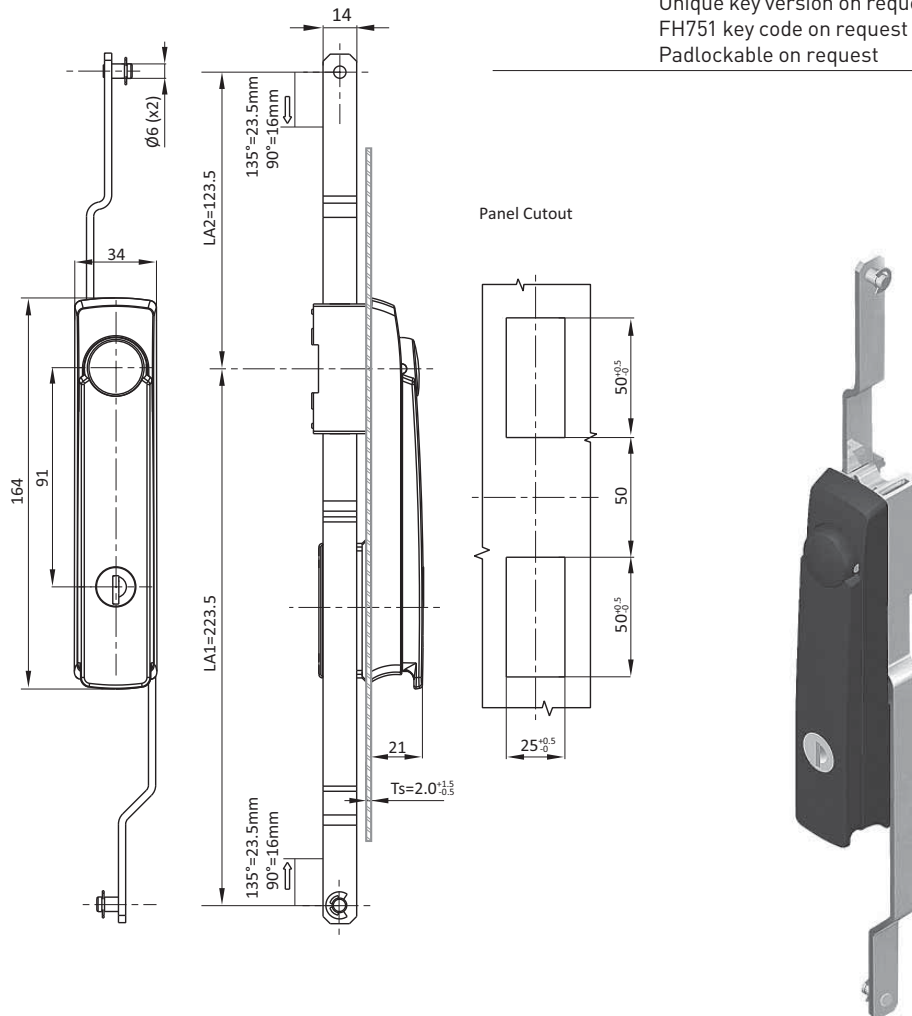
ROD CONTROL SHOWN AS REFERENCE ONLY

	Cylinder Style	With Dust shutter
Rod Control	FH333 round cylinder	0820055
	Double bit 4mm	0820056
	Square 7mm	0820057
	Triangular 8mm	0820058

Compatible Rod Control see page 116-117

CYLINDER LOCK SWING HANDLE - ROD CONTROL

DESCRIPTION	For easy and secure latching and locking of doors and flaps. Wide range of inserts, cams, and accessories.
MATERIAL	Body: PA, glass fiber reinforced Handle, shaft and rod control: Die-cast zinc Hardware: Mild steel
COLOR	Body: Black
SPECIALS	Right and Left IP65 / NEMA 4 PUR Foam Gasket Unique key version on request FH751 key code on request Padlockable on request



ROD CONTROL SHOWN AS REFERENCE ONLY

Cylinder lock keyed FH333

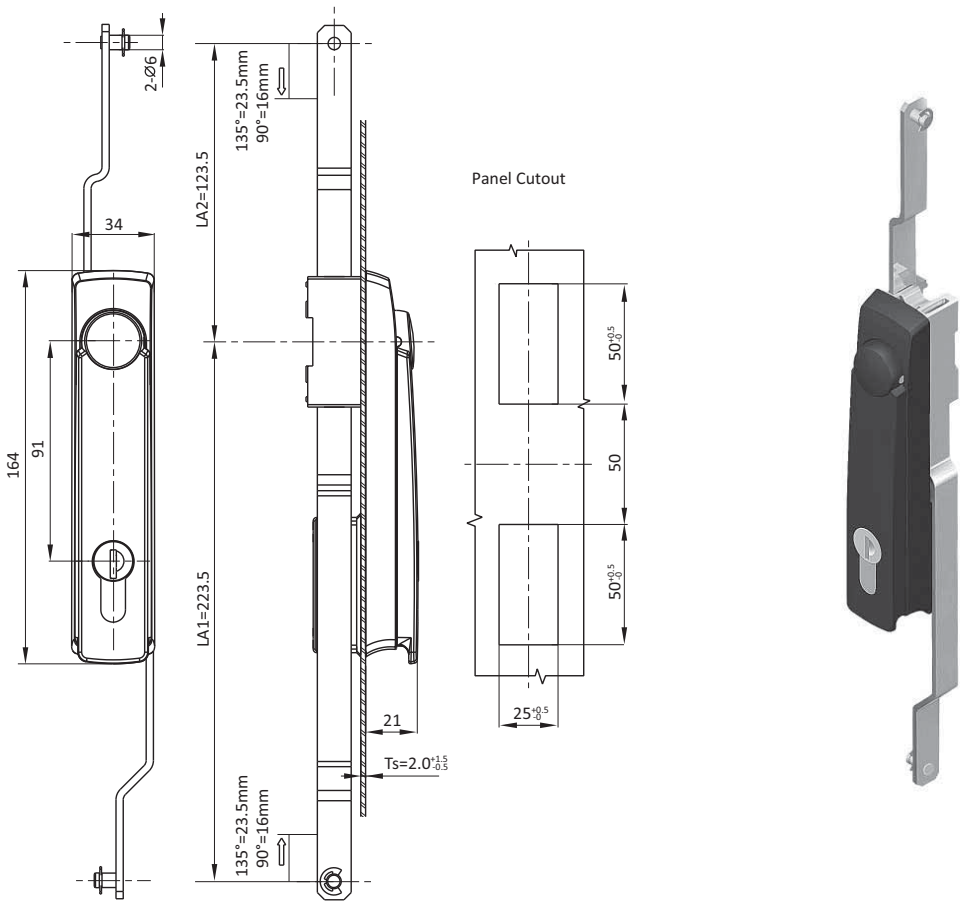
Part #

0820004
0820005

Compatible Rod Control see page 116-117
 Chapter 5 and 9 for accessories

PROFILE CYLINDER LOCK SWING HANDLE - ROD CONTROL

DESCRIPTION	For easy and secure latching and locking of doors and flaps. Wide range of inserts, cams, and accessories.
MATERIAL	Body: PA, glass fiber reinforced Handle, shaft and rod control: Die-cast zinc Hardware: Mild steel
COLOR	Body: Black
SURFACE	Handle, shaft and rod control: Die-cast zinc Zinc plated
SPECIALS	Right and Left IP65 / NEMA 4 PUR Foam Gasket Unique key version on request FH751 key code on request Padlockable on request



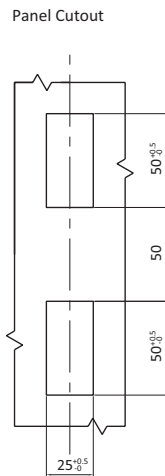
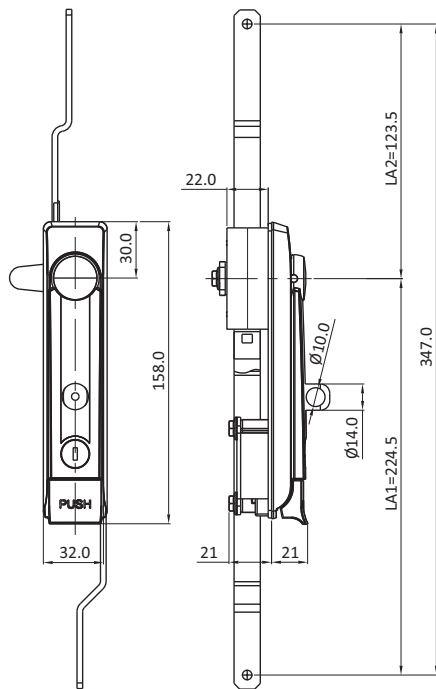
ROD CONTROL SHOWN AS REFERENCE ONLY

		Part #
Rod Control	FH333 Profile DIN cylinder	0813184
	Double bit 4mm	0813185
	Square 7mm	0813186
	Triangular 8mm	0813187

Compatible Rod Control see page 116-117
 Chapter 5 and 9 for accessories

CYLINDER LOCK SWING HANDLE - ROD CONTROL

DESCRIPTION	For easy and secure latching and locking of doors and flaps. Wide range of inserts, cams, and accessories.
MATERIAL	Body, handle, and button: Die-cast zinc Cam and rod control: Mild steel
SURFACE	Body, handle, and button: Black powder coated Cam and rod control: Zinc plated
SPECIALS	Right and Left IP65 / NEMA 4 Unique key version on request Unique key version on request FH751 key code on request Padlockable on request



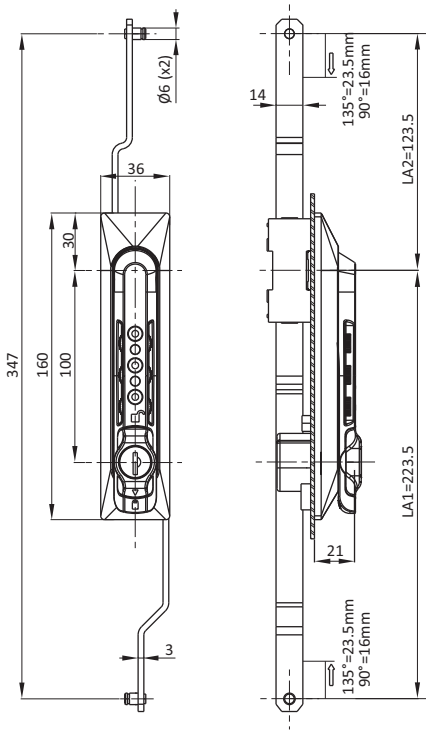
ROD CONTROL SHOWN AS REFERENCE ONLY

Keyed FH333	Padlockable	Padlock Compatible	Part #
	Without padlock		0820114
			0820115

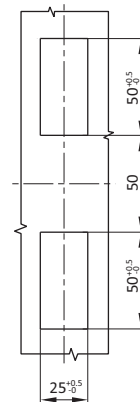
Compatible Rod Control see page 116-117
 Chapter 5 and 9 for accessories

COMBINATION LOCK SWING HANDLE

DESCRIPTION	For easy and secure latching and locking of doors and flaps. Wide range of inserts, cams, and accessories.
MATERIAL	Body: PA, glass fiber reinforced Shaft, and rod control: Die-cast zinc Hardware: Mild steel
SURFACE	Black powder coated Hardware: Zinc plated
SPECIALS	Right and Left IP65 / NEMA 4 PUR foam gasket Unique key version on request FH751 key code on request



Panel Cutout



ROD CONTROL SHOWN AS REFERENCE ONLY

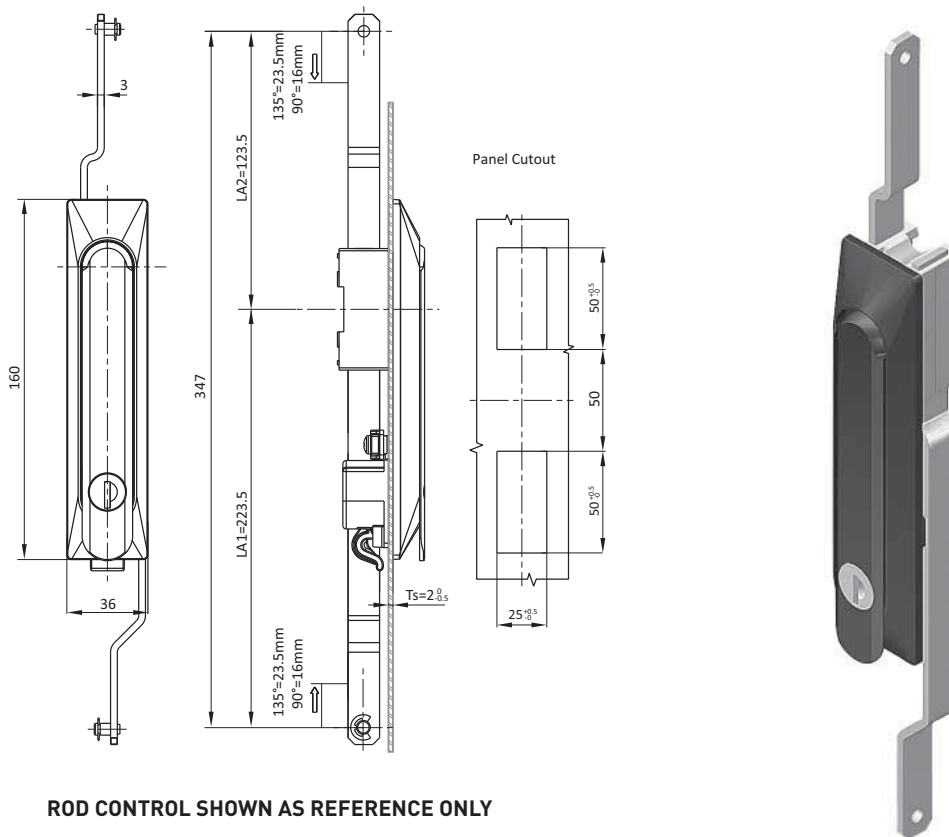
Combination lock and FH333 key

Part #
0813194

Compatible cams see pages 47, 213-228
 Compatible Rod Control see page 116-117

CYLINDER LOCK SWING HANDLE - ROD CONTROL

DESCRIPTION	For easy and secure latching and locking of doors and flaps. Wide range of inserts, cams, and accessories.
MATERIAL	Body: PA, glass fiber reinforced Handle, shaft, and rod control: Die-cast zinc Hardware: Mild steel
SURFACE	Black powder coated Hardware: Zinc plated
SPECIALS	Right and Left IP65 / NEMA 4 PUR foam gasket Unique key version on request FH751 key code on request Padlockable on request



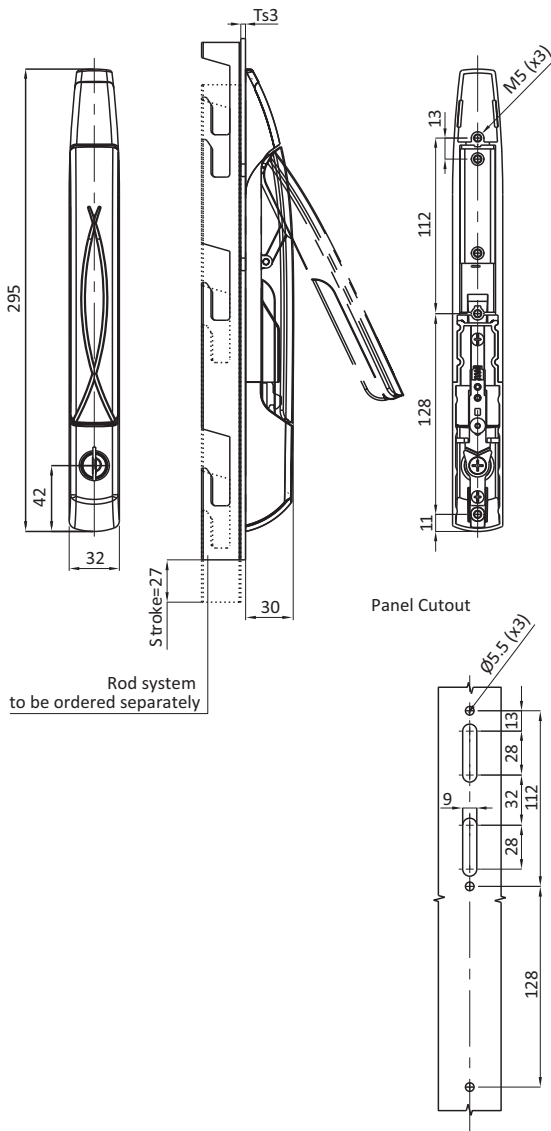
Keyed FH333

Part #
0813192

Compatible Rod Control see page 116-117
 Chapter 5 and 9 for accessories

CYLINDER LOCK SWING HANDLE - SPECIAL

DESCRIPTION	For easy and secure latching and locking of doors and flaps. Wide range of inserts, cams, and accessories.
MATERIAL	Body: Die-cast zinc Mounting bracket, push plate, baffle plate and pin: Stainless steel
SURFACE	Body: Black powder coated / RAL 7032 powder coated
SPECIALS	Right and Left IP65 / NEMA 4 PUR foam gasket



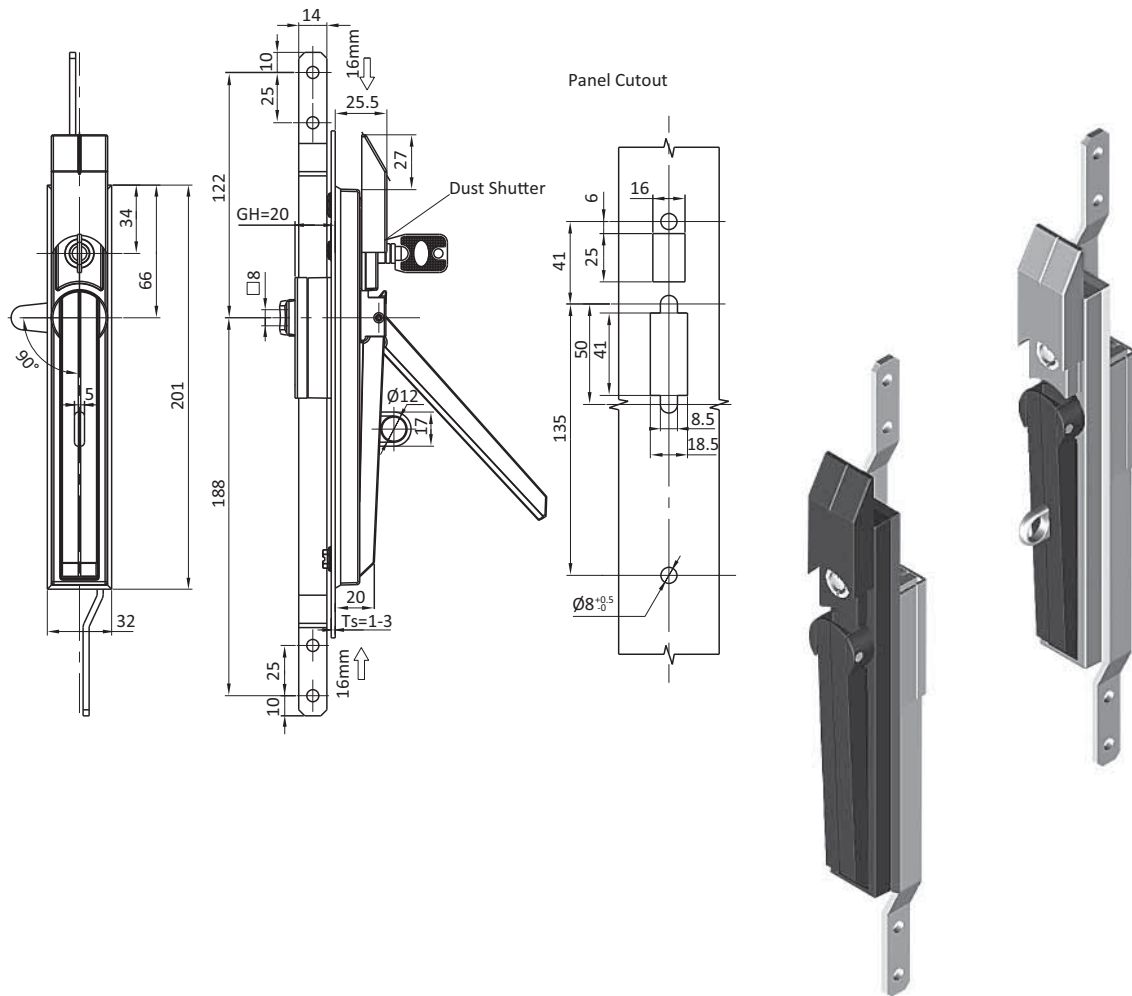
Cylinder Lock Swing Handle - Cam Control
 Keyed FH333

Black Powder Coated
0813204

RAL 7032 Powder Coated
0813205

CYLINDER LOCK SWING HANDLE - ROD CONTROL

DESCRIPTION	For easy and secure latching and locking of doors and flaps. Wide range of inserts, cams, and accessories.
MATERIAL	Body and handle: Die-cast zinc Rod control: 316 SS
SURFACE	Body and handle: Black powder coated / RAL 7032 powder coated
SPECIALS	Rod control



Cylinder Lock Swing Handle - Cam Control

Control

Black Powder Coated

RAL 7032 Powder Coated

3 point rod control

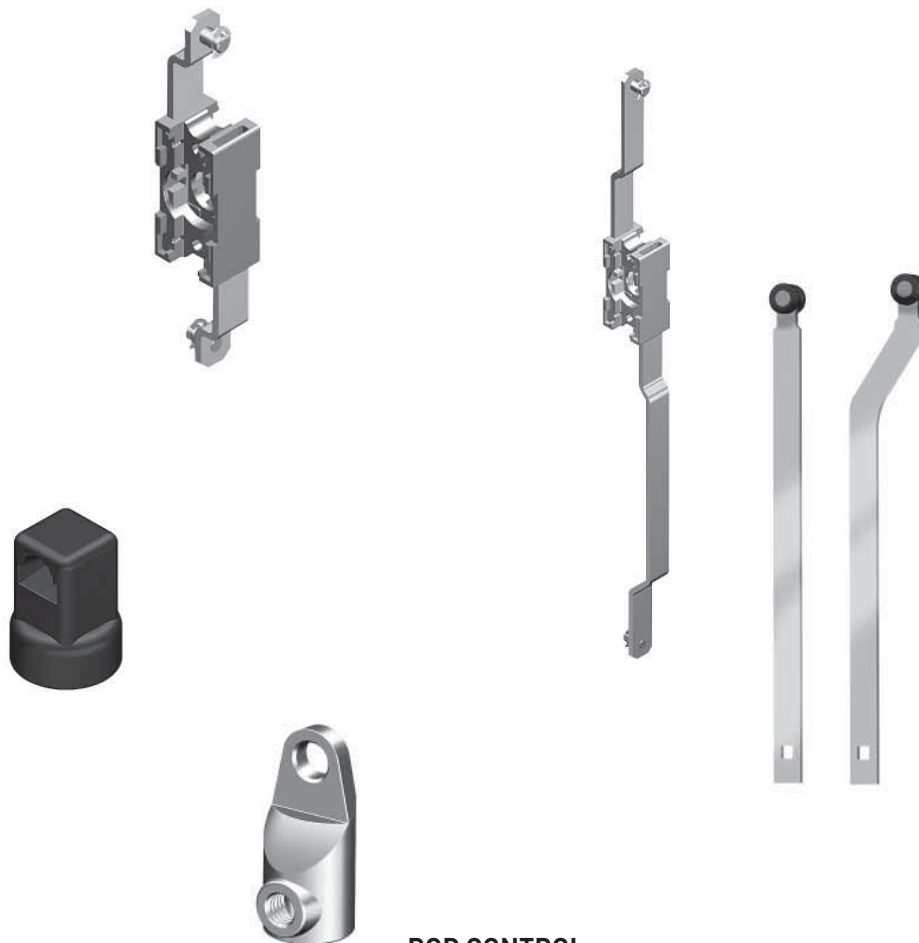
0811035

0811036

Compatible Rod Control see page 116-117
 Chapter 5 and 9 for accessories

INDUSTRIAL HARDWARE

CHAPTER 5: ACCESSORIES FOR SWING HANDLES

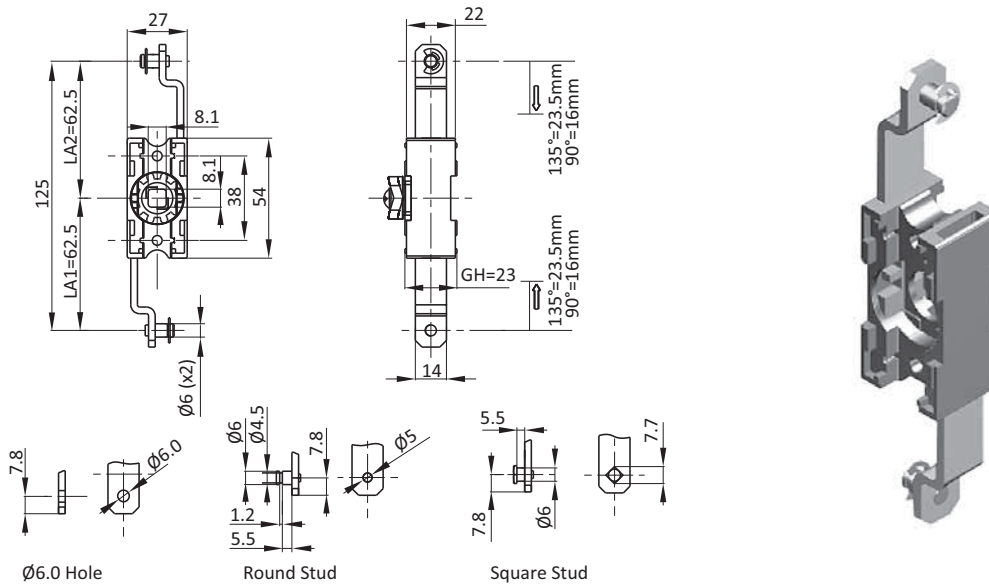


ROD CONTROL	124-125
ROD GUIDES	126
ADJUSTABLE ROD GUIDE	127
ROD CATCHES	128
ROD GUIDES / ROD ADAPTER	129
RODS	130-131
PROFILE DIN CYLINDER LOCK	132

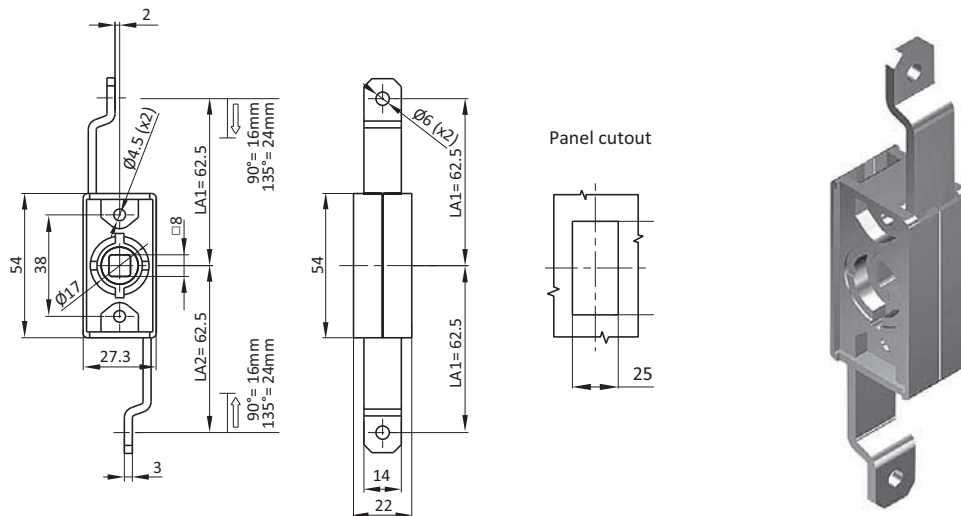
ROD CONTROL

DESCRIPTION	For easy and secure latching and locking of doors and flaps. Wide range of inserts, cams, and accessories.
MATERIAL	Body: Die cast zinc Rods: Mild steel
SURFACE	Zinc plated
SPECIALS	Right and left

Style A



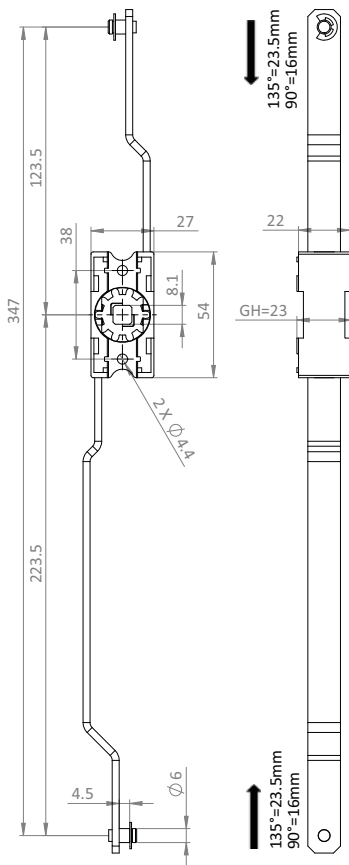
Style B



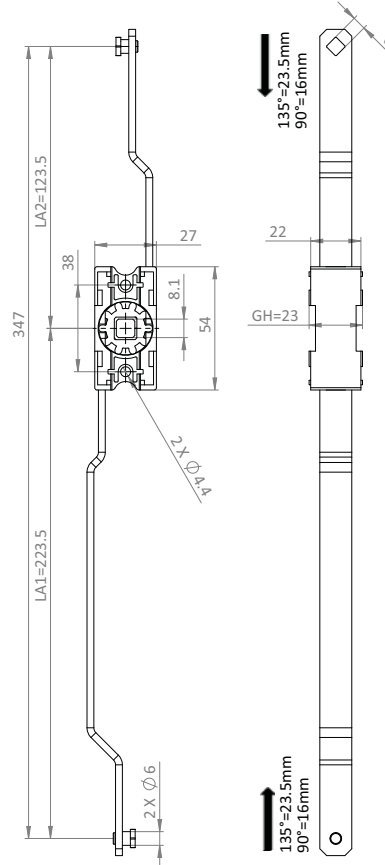
Rod End	Style A	Style B
Round studs	0813225	0813226
Square studs	0813227	0813228
6mm Hole	0813229	0813230

ROD CONTROL

DESCRIPTION	For easy and secure latching and locking of doors and flaps. Wide range of inserts, cams, and accessories.
MATERIAL	Body: Die cast zinc Rods: Mild steel
SURFACE	Zinc plated
SPECIALS	Right and left



Style A



Style B



Rod End

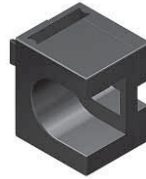
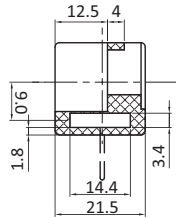
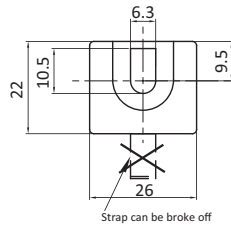
Part #

Round studs (Style A)	0813231
Square studs (Style B)	0813232

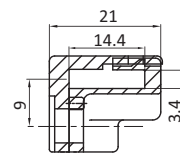
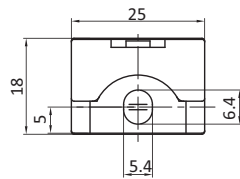
ROD GUIDES

DESCRIPTION	To guide flat rods parrallel to a door and add extra security to door latching and locking.
MATERIAL	PA, Die Cast Zinc
COLOR	Black

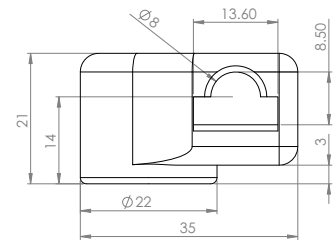
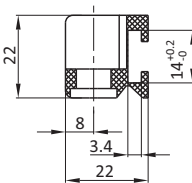
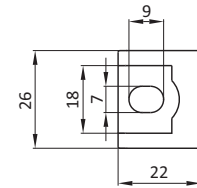
Version A
 For weld stud M6x16
 or M6x20



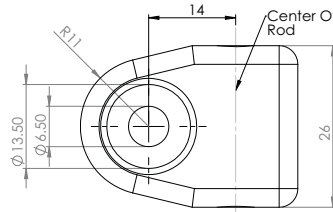
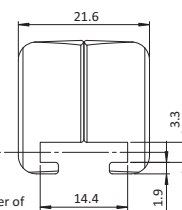
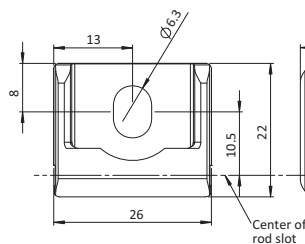
Version B
 For weld stud M5x12



Version C

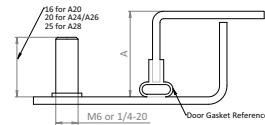
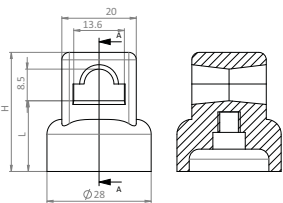


Version D



Version F

Version E

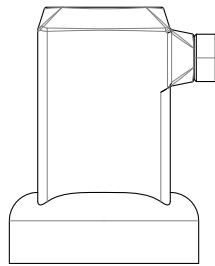
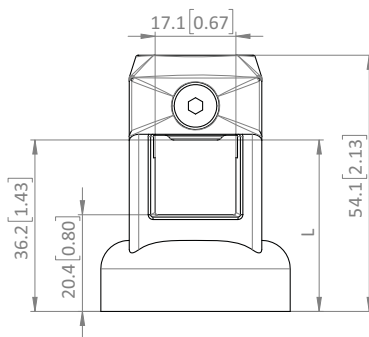


Version	Material	A [mm]	H [mm]	L [mm]	Stud Size	Flat Rod	Round Rod #
Version A	PA6 30				M6 x 16	0890032	
Version B	PA6 30				M5 x 16	0890033	
Version C	PA6 30				M6 x 16	0813251	
Version D	Die Cast Zinc				M6 x 16	0850182	
Version E	PA6 30	A20	32	20	M6 x 16		0890031S01
	PA6 30	A20	32	20	1/4 - 20 UNC		0890129CP01
	PA6 30	A26	38	25	M6 x 16		0890030
Version E	PA6 30	A34	44	30	M6 x 16		0890031
	PA6 30	A34	44	30	M6		0890129S01

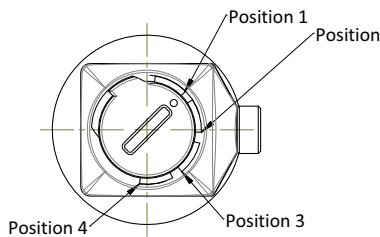
ADJUSTABLE ROD GUIDE



DESCRIPTION	To guide flat rods parrallel to a door and add extra security to door latching and locking.
MATERIAL	PA6 30
COLOR	Black



Position	L	
	Milimeters	Inch
1	36.2	1.43
2	34.6	1.36
3	33.1	1.30
4	31.5	1.24

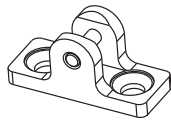
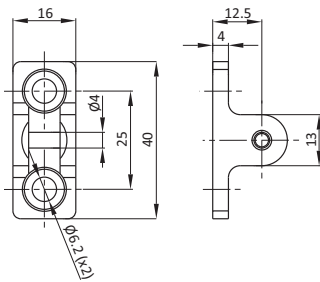


- Four position adjustable rod guide with ball detent for quick gasket compression adjustment
- Attaches to any 1/4-20 x 0.50" long stud
- Material: PA 30
- For use with 0.375" x 0.625 or smaller rectangular rod system

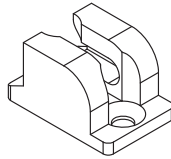
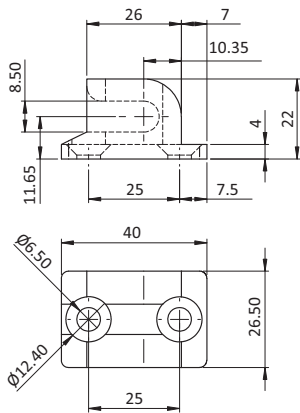
Description	Part #
Use Wiith 1/4-20 Stud	0850478
Use Wiith M6 X 1 Stud	0850478S01

ROD CATCHES

DESCRIPTION	To latch a door with multiple points.
MATERIAL	Die cast zinc
SURFACE	Zinc plated Black powder coated



Style A



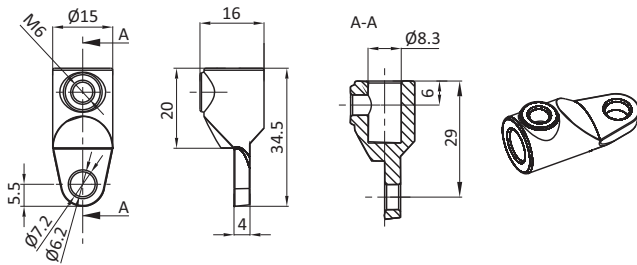
Style B



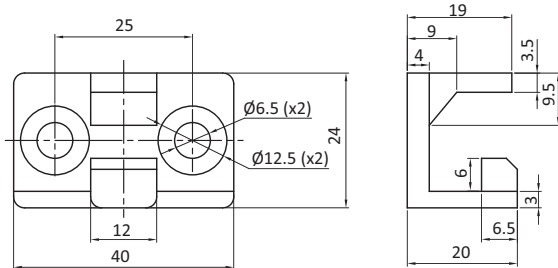
Rod Catches		Finish	Part #
	Style A	Zinc Plated	0813253
	Style B	Black Powdered Coated	0890029

ROD GUIDES / ROD ADAPTER

DESCRIPTION	To guide flat rods parallel to a door and add extra security to door latching and locking
MATERIAL	Die cast zinc 316 SS Clamping pin: PA black
SURFACE	Nickel plated Black powder coated
COLOR	Clamping pin: Black



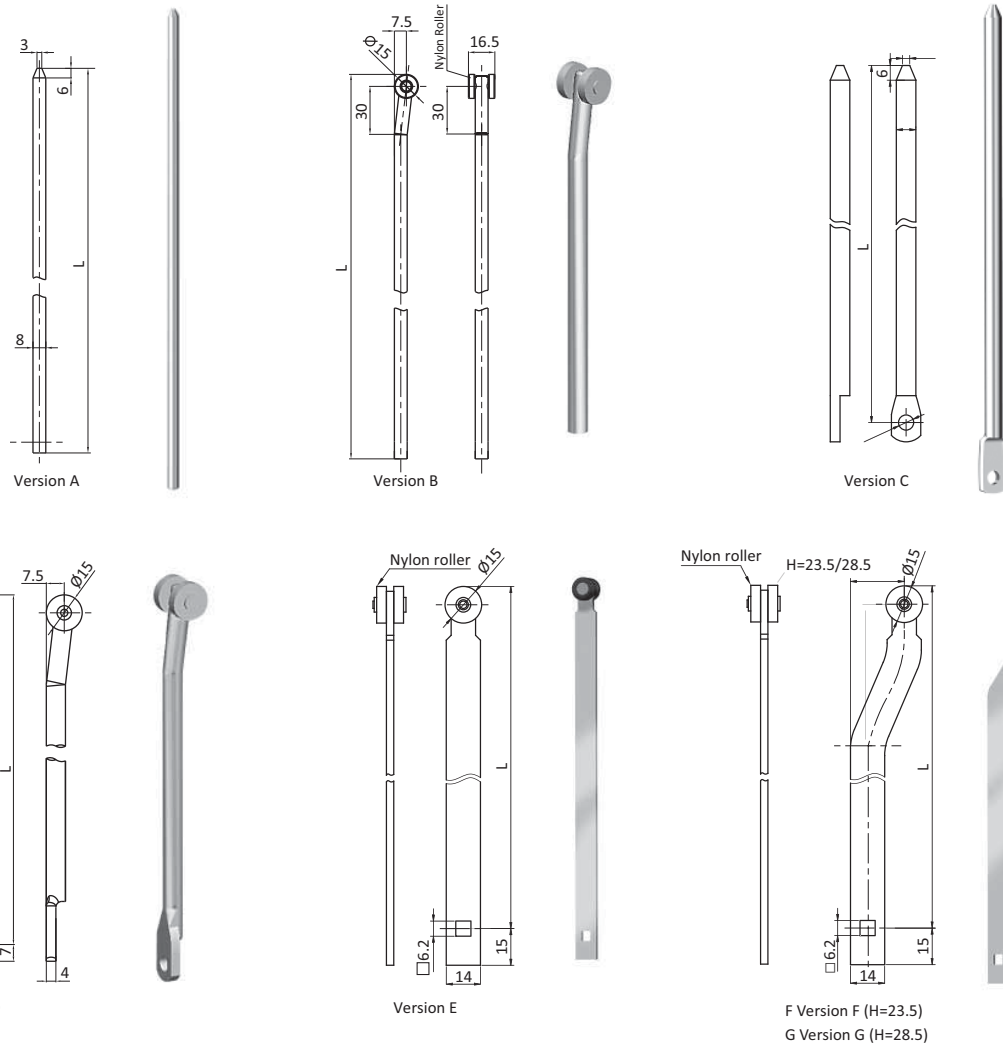
Rod catch



	Zinc plated	Black Powder Coated	316 SS
Adapter	0890027		0890027E
Rod catch		0890028	

RODS

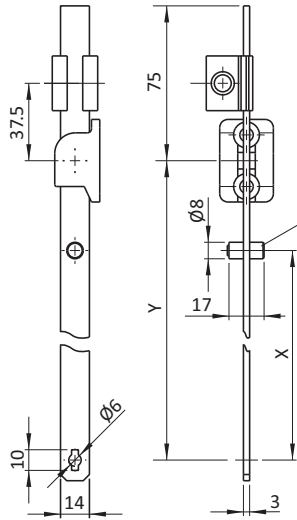
DESCRIPTION	Locks and unlocks both quarter turns and swing handles
MATERIAL	Mild steel with nylon roller
SURFACE	Zinc plated



CUSTOM LENGTH RODS AVAILABLE

L [mm]	Version A	Version B	Version C	Version D	Version E	Version F	Version G
400	0890060	0890068	0890076	0890084	0890092	0890100	0890108
500	0890061	0890069	0890077	0890085	0890093	0890101	0890109
600	0890062	0890070	0890078	0890086	0890094	0890102	0890110
700	0890063	0890071	0890079	0890087	0890095	0890103	0890111
800	0890064	0890072	0890080	0890088	0890096	0890104	0890112
900	0890065	0890073	0890081	0890089	0890097	0890105	0890113
1000	0890066	0890074	0890082	0890090	0890098	0890106	0890114
1100	0890067	0890075	0890083	0890091	0890099	0890107	0890115
1200	0890201	0890202	0890203	0890204	0890205	0890206	0890207

RODS



Door Height less than 1600mm
 only have one copper rivet

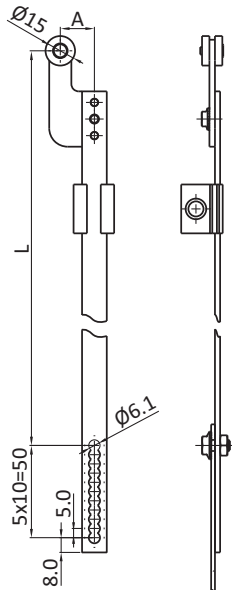
DESCRIPTION	Locks and unlocks both quarter turns and swing handles
MATERIAL	Mild steel Rollers: Brass
SURFACE	Zinc plated



CUSTOM LENGTH RODS AVAILABLE

Door Height [mm]	X [mm]	Y [mm]	Version H
800 - 1200	-	126.5	0813255
1200 - 1600	-	276.5	0813256
1600 - 1900	101.5	526.5	0813257
1900 - 2200	101.5	676.5	0813258

RODS



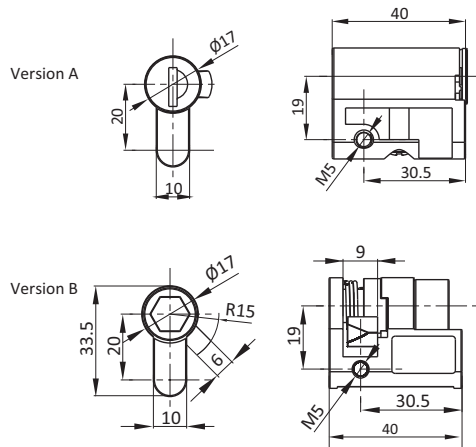
DESCRIPTION	Locks and unlocks both quarter turns and swing handles
MATERIAL	Mild steel Rollers: Nylon
SURFACE	Zinc plated



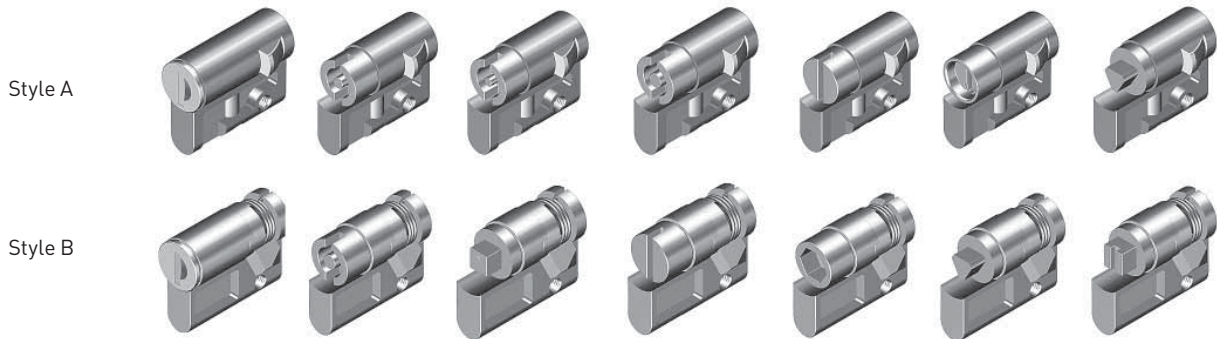
A [mm]	L = 400	L = 500	L = 600	L = 700	L = 800	L = 900	L = 1000	L = 1100
18.5	0813259	0813260	0813261	0813262	0813263	0813264	0813265	0813492
22.5	0813266	0813267	0813268	0813269	0813270	0813271	0813272	0813493
27.5	0813273	0813274	0813275	0813276	0813277	0813278	0813279	0813494

PROFILE DIN CYLINDER LOCK

DESCRIPTION	For easy and secure latching and locking of doors and flaps. Wide range of inserts, cams, and accessories.
MATERIAL	Body: Die cast zinc
SURFACE	Chrome plated

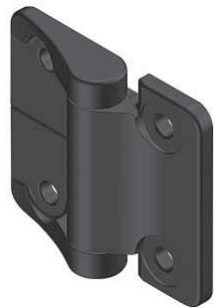


Push button



Cylinder Style	Style A	Style B	Style A Push Button
Keyed FH2233			06002SH0001R01
Keyed FH1333			06002SH0001R01S01
Keyed FH333	0811042	0811043	
Double bit 3mm		0813235	
Double bit 4mm		0813236	
Double bit 5mm		0813237	
Slot 2 x 4		0813238	
Slot 2 x 4 coin proof		0813239	
Triangle 7mm		0813240	
Triangle 8mm		0813241	
Square 7mm		0813242	
Square 8mm		0813243	
Square 7mm with slot		0813244	
Square 8mm with slot		0813245	
Female square 8mm		0813246	
Hexagon female 8mm		0813247	
Hexagon female 9mm		0813248	
Hexagon female 8mm with 3mm pin		0813249	
Hexagon male 10mm		0813250	

INDUSTRIAL HARDWARE CHAPTER 6: **SURFACE HINGES**

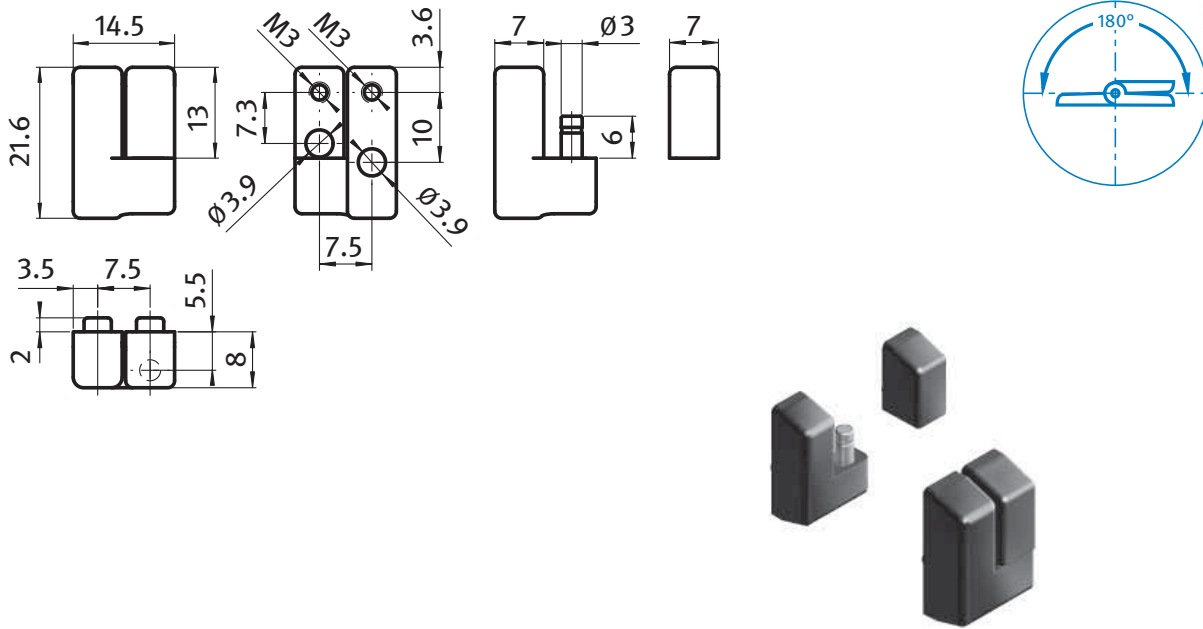


MINI HINGE	134
PLASTIC HINGE 20 MINI	135
PLASTIC HINGE 20	136
STAINLESS STEEL COMBI HINGE 20	136
PLASTIC COMBI HINGES	137
ALUMINUM COMBI HINGES	137
STAINLESS STEEL COMBI HINGES	138
COMBI HINGES WITH LOCKING LEVER	139
CLAMPING HINGES	140
SYSTEM HINGES	141
DIE-CAST ZINC HINGE 30 WITH OBLONG HOLES	142
HEAVY-DUTY PLASTIC HINGE 65 X 64	143
SCREW-ON HINGES	144-148
LIFT-OFF HINGES	150
SCREW-ON HINGES	151-155
LIFT OFF HINGE	156-160
SCREW-ON HINGE	161-168
FRICTION HINGES	169-172
FRICTION/DETENT HINGES	173
DETENT HINGES	174
SCREW-ON HINGE	175-177
HEAVY DUTY SCREW-ON HINGES	178-180
SCREW-ON HINGE	180-181
STAMPED METAL HINGES	182-185
TRUCK DOOR HINGE	186-187
STAMPED METAL HINGES	188



MINI HINGE

DESCRIPTION	Mini hinge for various applications, especially in limited space
MATERIAL	Wings: Die-cast zinc Pin: Stainless steel
SURFACE	Black powder coated
FASTENING	From the back, using M3 screws
SPECIALS	Other surfaces, other colors on request

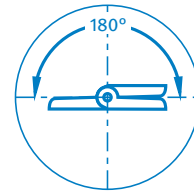
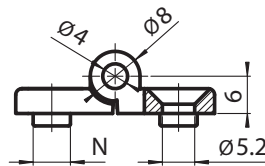
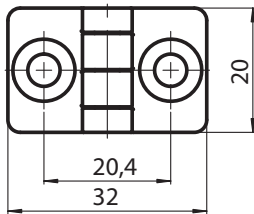


Mini Hinge	Weight [g]	F _{Amax} [N]	F _{Rmax} [N]	Left Hand, Lift off	Right Hand, Lift off
	12.0	100	100	095023L	095023R



PLASTIC HINGE 20 MINI

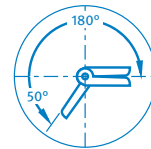
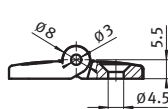
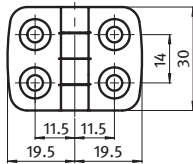
DESCRIPTION	To hinge panels or aluminum profiles
MATERIAL	Wings: Nylon PA, glass fiber reinforced Bolt: Stainless steel
COLOR	Black
FASTENING	From the front, using M5 countersunk screws
SPECIALS	? electrostatically conductive, other sizes, other colors on request



Plastic Hinge 20 Mini	F _{Amax} [N]	F _{Rmax} [N]	Part #
240	300		095022F00

PLASTIC HINGE 20

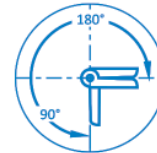
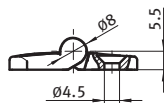
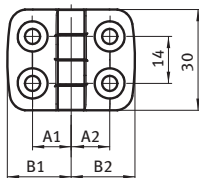
DESCRIPTION	To hinge panels or aluminum profiles
MATERIAL	Wings: Nylon PA, glass fiber reinforced; Cast Aluminum Bolt: Stainless steel
COLOR	Black
FASTENING	From the front, using M4 countersunk screws
SPECIALS	? electrostatically conductive, further colors, fixing pins for installation on aluminum profiles available on request



Material	FA max [N]	FR max [N]	Part #
PA 30	200	400	095K2020F00
Aluminum	215	275	095K2020F

STAINLESS STEEL COMBI HINGE 20

DESCRIPTION	To hinge panels
MATERIAL	Wing: Stainless steel SS316 Bolt: Stainless steel SS430 F
SURFACE	Polished
FASTENING	From the front, using M4 countersunk screws

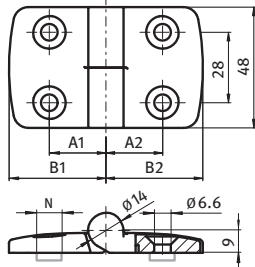


Stainless Steel Combi Hinge 20	A1 [mm]	A2 [mm]	B1 [mm]	B2 [mm]	Fmax [N]	FRmax [N]	Part #
	11.5	11.5	19.0	19.0	450	700	095E2020F



PLASTIC COMBI HINGES

DESCRIPTION	To hinge panels
MATERIAL	Hinge leaves: Nylon PA, glass fiber reinforced Hinge pin: Stainless steel
COLOR	Black



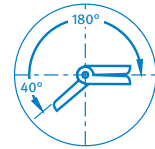
Asymmetric hinges available on request



Non Lift Off



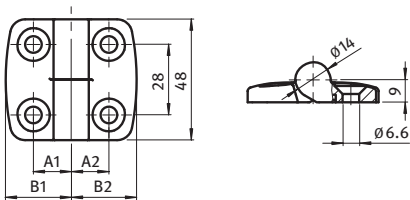
Lift Off



Plastic Combi Hinges	A1 [mm]	A2[mm]	B1[mm]	B2 [mm]	Left Hand	Right Hand	Non-Lift Off
	15.0	15.0	26.0	26.0	095K2525L00	095K2525R00	095K2525F00
	17.5	17.5	29.5	29.5	095K3030L00	095K3030R00	095K3030F00
	20.0	20.0	36.0	36.0	095K3535L00	095K3535R00	095K3535F00
	22.5	22.5	38.5	38.5	095K4040L00	095K4040R00	095K4040F00
	25.0	25.0	43.5	43.5	095K4545L00	095K4545R00	095K4545F00
	27.5	27.5	48.5	48.5	095K5050L00	095K5050R00	095K5050F00
	32.5	32.5	57.5	57.5	095K6060L00	095K6060R00	095K6060F00

ALUMINUM COMBI HINGES

DESCRIPTION	To hinge panels
MATERIAL	Hinge leaves: Die-cast aluminum Hinge pin: Stainless steel
SURFACE	Alu color lacquered



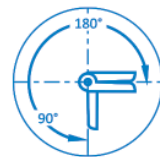
Asymmetric hinges available on request



Non Lift Off



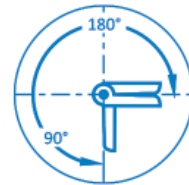
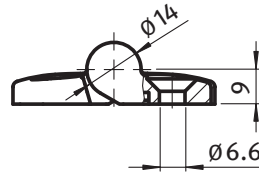
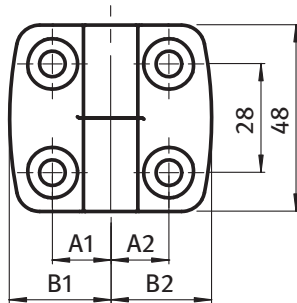
Lift Off



Aluminum Combi Hinges	A1 [mm]	A2 [mm]	B1 [mm]	B2 [mm]	Left Hand	Right Hand	Non-Lift Off
	15.0	15.0	26.0	26.0	095A2525L	095A2525R	095A2525F
	17.5	17.5	29.5	29.5	095A3030L	095A3030R	095A3030F
	20.0	20.0	36.0	36.0	095A3535L	095A3535R	095A3535F
	22.5	22.5	38.5	38.5	095A4040L	095A4040R	095A4040F
	25.0	25.0	43.5	43.5	095A4545L	095A4545R	095A4545F
	27.5	27.5	48.5	48.5	095A5050L	095A5050R	095A5050F
	32.5	32.5	57.5	57.5	095A6060L	095A6060R	095A6060F

STAINLESS STEEL COMBI HINGES

DESCRIPTION	To hinge panels
MATERIAL	Hinge leaves: Stainless steel SS316 Hinge pin: Stainless steel
SURFACE	Polished



Non Lift Off



Lift Off

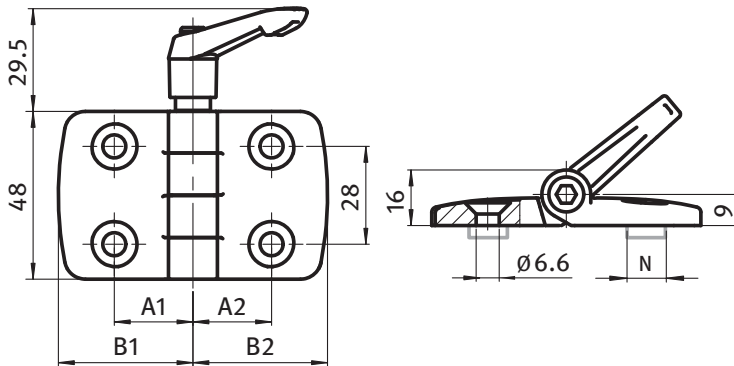
Asymmetric hinges available on request

Stainless Steel Combi Hinges	A1 [mm]	A2 [mm]	B1 [mm]	B2 [mm]	Left Hand	Right Hand	Non-Lift Off
	15.0	15.0	26.0	26.0	095E2525L	095E2525R	095E2525F
	17.5	17.5	29.5	29.5	095E3030L	095E3030R	095E3030F
	20.0	20.0	36.0	36.0	095E3535L	095E3535R	095E3535F
	22.5	22.5	38.5	38.5	095E4040L	095E4040R	095E4040F
	25.0	25.0	43.5	43.5	095E4545L	095E4545R	095E4545F
	27.5	27.5	48.5	48.5	095E5050L	095E5050R	095E5050F
	32.5	32.5	57.5	57.5	095E6060L	095E6060R	095E6060F



COMBI HINGES WITH LOCKING LEVER

DESCRIPTION	To hinge panels or aluminum profiles; can be locked at any position
MATERIAL	Hinge: Nylon PA, glass fiber reinforced Locking lever: Nylon PA, glass fiber reinforced Mechanism: Steel, zinc plated (RoHS conform)
COLOR	Black
FASTENING	From the front, using M6 countersunk screws
SPECIALS	? electrostatically conductive, other sizes, other colors on request



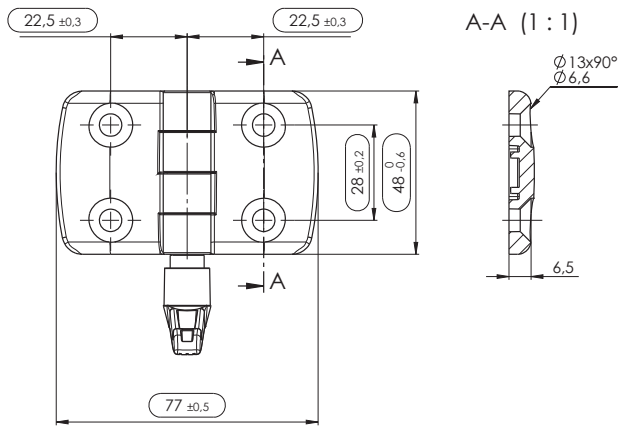
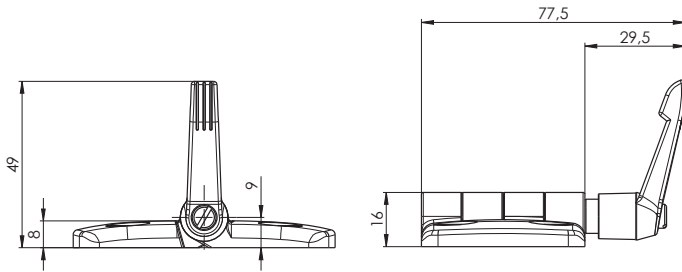
Asymmetric hinges available on request

Combi Hinges with Locking Lever	A1 [mm]	A2 [mm]	B1 [mm]	B2 [mm]	F _{max} [N]	FR _{max} [N]	Part #
	15.0	15.0	26.0	26.0	380	500	095KF2525F00
	17.5	17.5	29.5	29.5	400	700	095KF3030F00
	20.0	20.0	36.0	36.0	400	700	095KF3535F00
	22.5	22.5	38.5	38.5	450	750	095KF4040F00
	25.0	25.0	43.5	43.5	450	750	095KF4545F00
	27.5	27.5	48.5	48.5	425	800	095KF5050F00
	32.5	32.5	57.5	57.5	175	850	095KF6060F00



CLAMPING HINGES

DESCRIPTION	To hinge panels
MATERIAL	Hinge leaves: Die Cast Aluminum Hinge pin: Zinc Plated steel
COLOR	Black Nickel Plate



Clamping Hinges

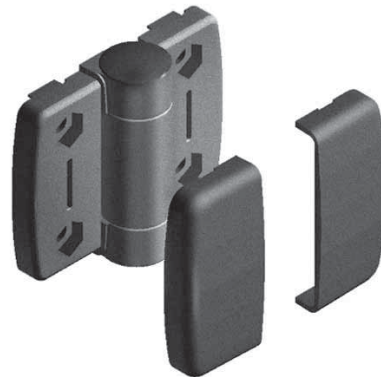
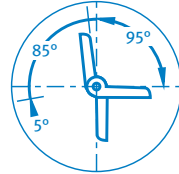
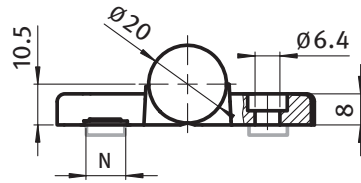
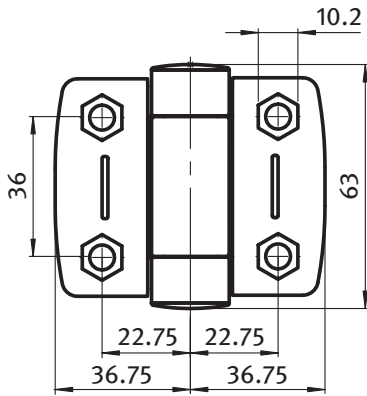
Part #

095AF4040FS01



SYSTEM HINGES

DESCRIPTION	To hinge panels
MATERIAL	Hinge leaves: Nylon PA, glass fiber reinforced Hinge pin: Stainless steel
COLOR	Black

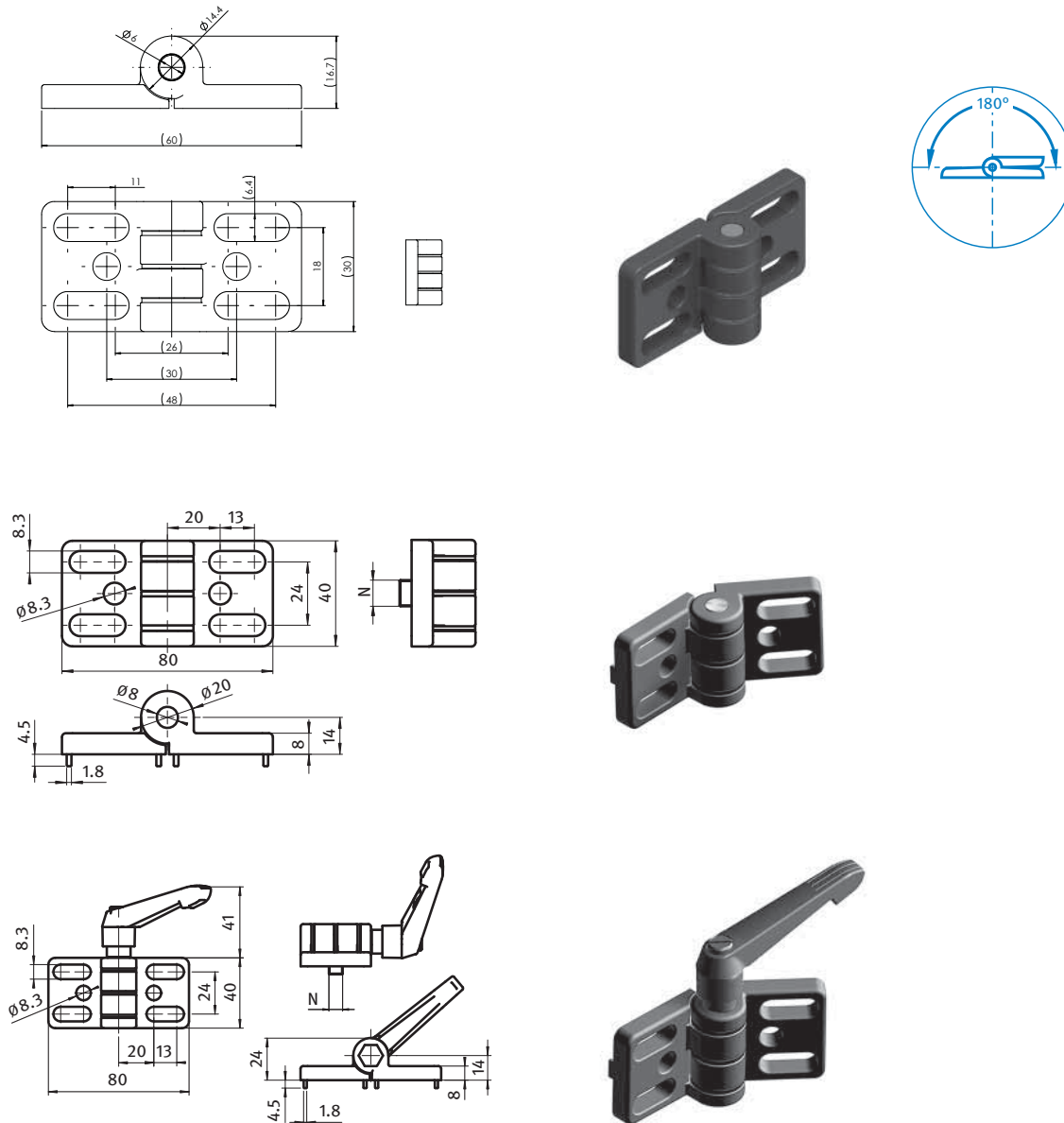


System Hinges	A1 [mm]	B1 [mm]	Standard	Position	Friction
	17.75	27.0	095S3030A00	095SR3030A00	095SF3030A00
	22.75	36.75	095S4040A00	095SR4040A00	095SF4040A00



DIE-CAST ZINC HINGE 30 WITH OBLONG HOLES

DESCRIPTION	To hinge panels
MATERIAL	Wings: Die-cast zinc Pin: Stainless steel
SURFACE	Black powder coated
FASTENING	From the front, using M6 screws
SPECIALS	Other surfaces, other colors on request

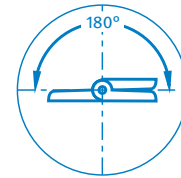
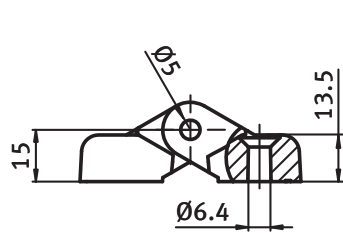
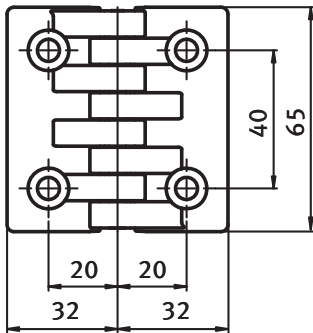


Die-Cast Zinc Hinge 30	Mounting Screw	F _{Amax} [N]	F _{Rmax} [N]	Part #
Hinge 30	M6	350	1000	095400
Hinge 40	M8	500	1200	095300
Hinge 40 with Locking Lever	M8	500	1200	095300F



HEAVY-DUTY PLASTIC HINGE 65 X 64

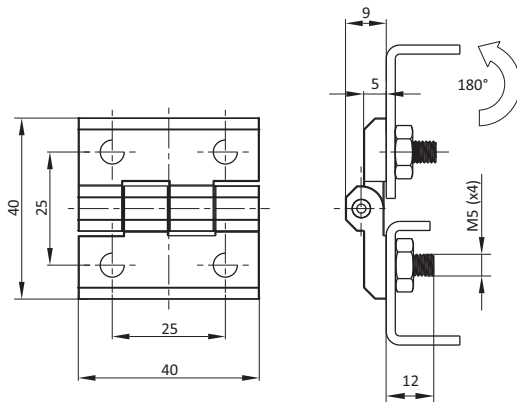
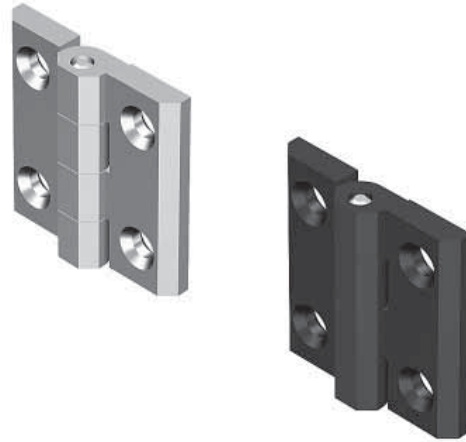
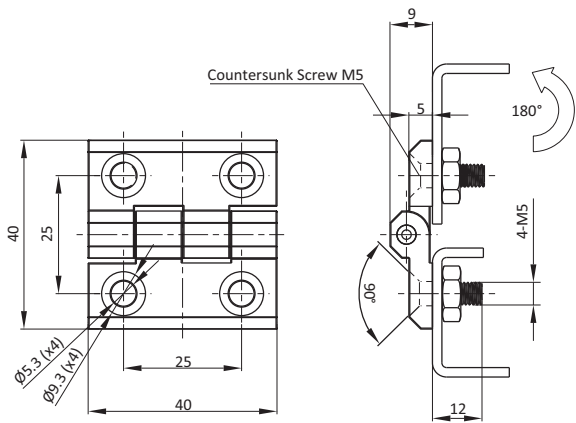
DESCRIPTION	To hinge panels
MATERIAL	Wings: Nylon PA, glass fiber reinforced Bolt: Stainless steel
SURFACE	Black
FASTENING	From the front, using M6 countersunk screws
SPECIALS	? electrostatically conductive, other sizes, other colors on request



Plastic Hinge	F _{Amax} [N]	F _{Rmax} [N]	Part #
	1500	2800	095065

SCREW-ON HINGES

DESCRIPTION	To hinge panels
MATERIAL	Hinge leaves: Die-cast zinc / stainless steel Hinge pin: Mild steel
SURFACE	Hinge leaves: Black powder coated / chrome plated Hinge pin: 304 Stainless Steel
SPECIALS	Non lift off

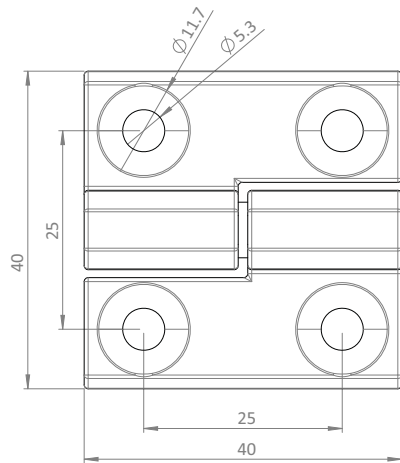


Version	Black Powder Coated	Chrome Plated	SS 316
Countersunk Screw M5	095005	095005S02	09574040E
M5 Studs	0830113	0830114	

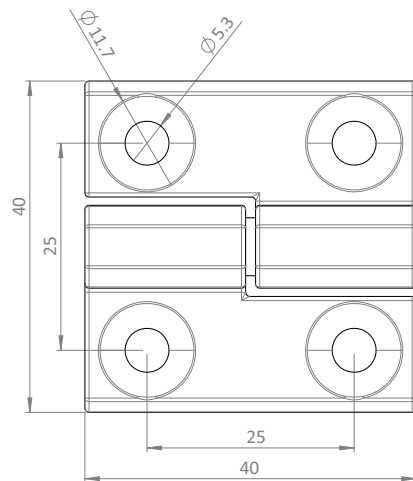


SCREW-ON HINGES

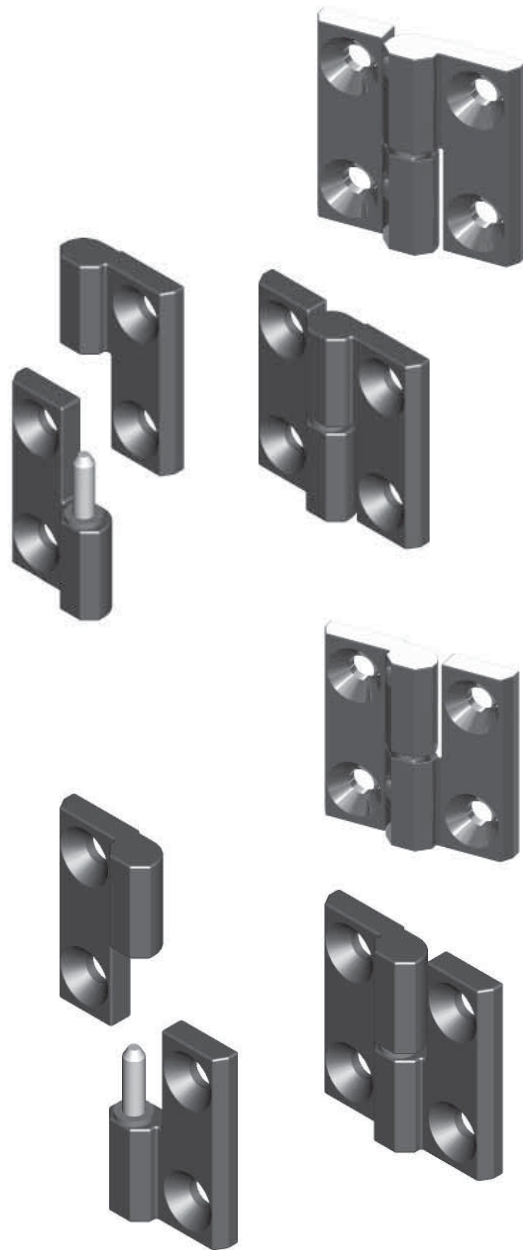
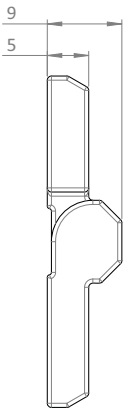
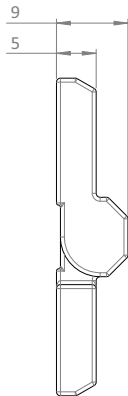
DESCRIPTION	To hinge panels
MATERIAL	Hinge leaves: Die-cast zinc Hinge pin: 304 SS
SURFACE	Hinge leaves: Black powder coat, Chrome Plated
HARDWARE	M5 Flat Head Screw



LEFT VERSION



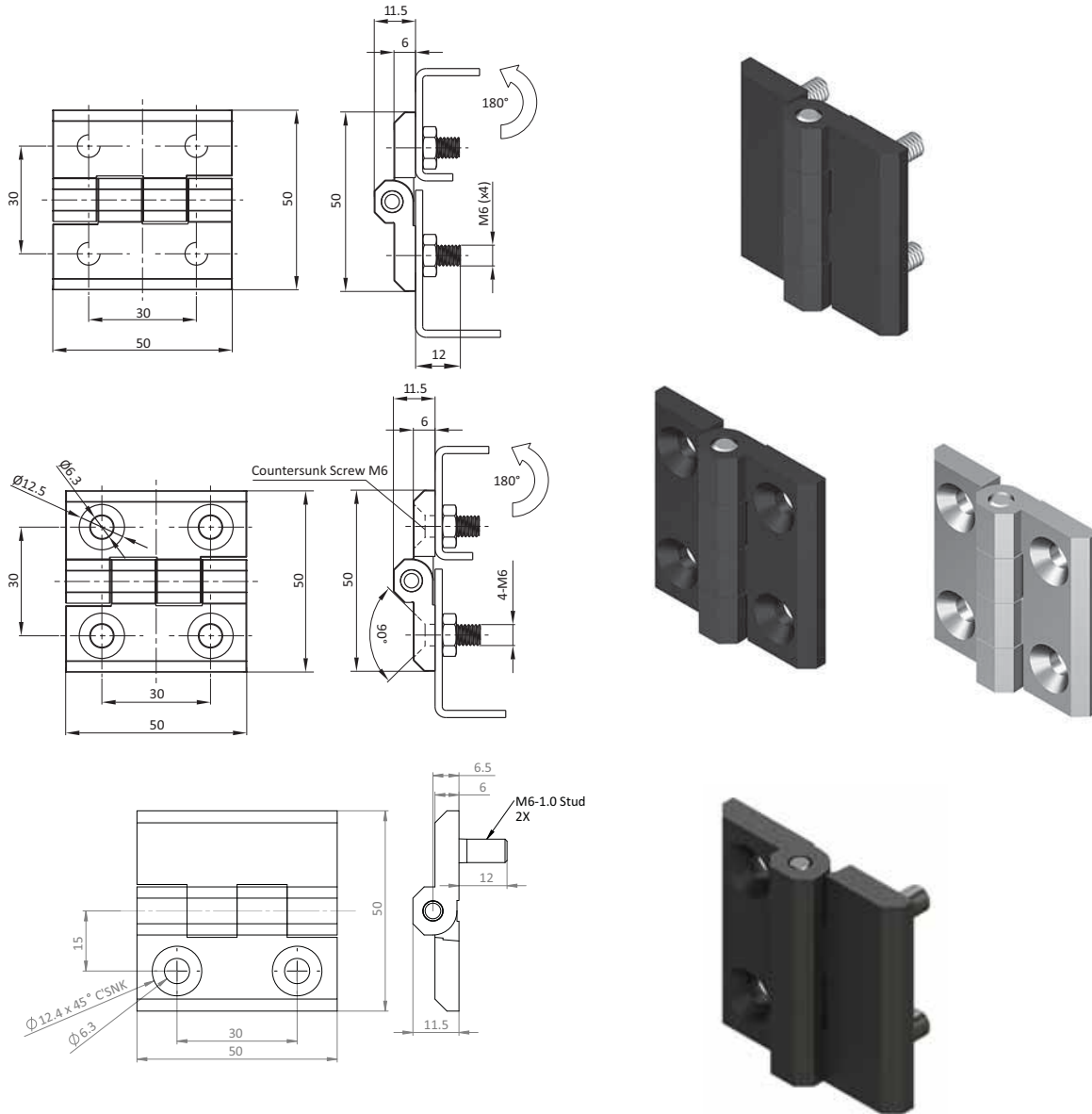
RIGHT VERSION



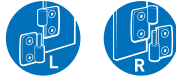
Version	Black Powder Coated	Chrome Plated
Left	0850270	0850270S01
Right	0850271	0850271S01

SCREW-ON HINGES

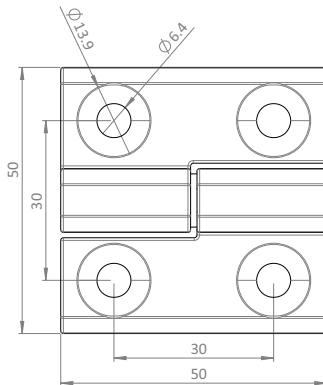
DESCRIPTION	To hinge panels
MATERIAL	Hinge leaves: Die-cast zinc / stainless steel Hinge pin: 304 SS
SURFACE	Hinge leaves: Black powder coated / chrome plated Hinge pin: 304 Stainless Steel
SPECIALS	Non lift off



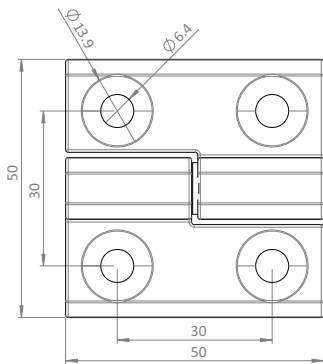
Version	Black Powder Coated	Chrome Plated	SS 316	Plastic
Countersunk Screw M6	095006	095006S01	09575050E	
M6 Studs	0830115	0830116		
Countersunk Screw M6				095006K
M6 Studs/Countersunk M6				0830206K
M6 Studs				0830115K



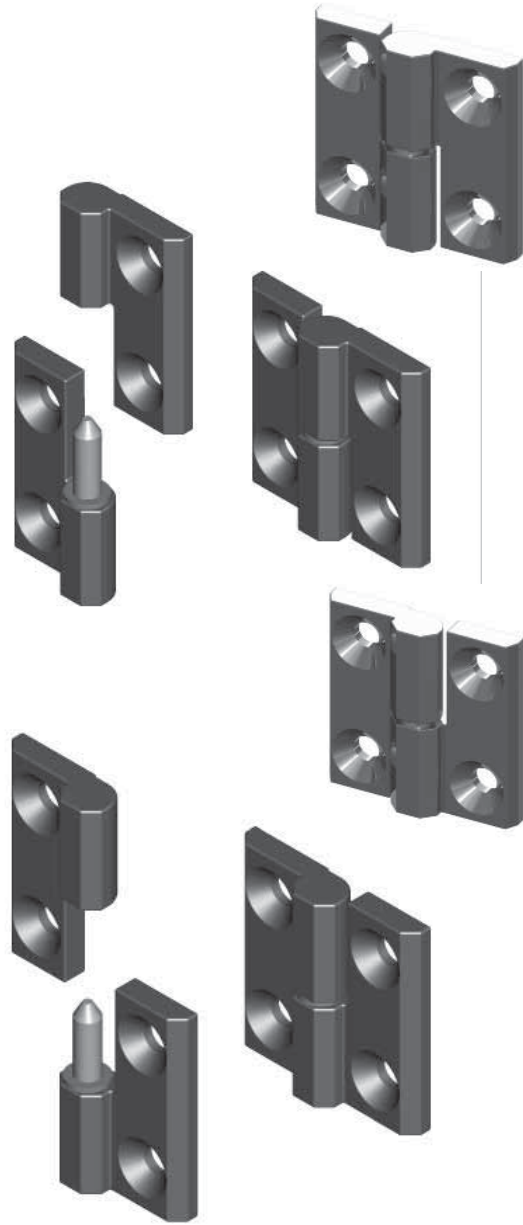
DESCRIPTION	To hinge panels
MATERIAL	Hinge leaves: Die-cast zinc Hinge pin: 304 SS
SURFACE	Hinge leaves: Black powder coat, Chrome Plated
HARDWARE	M6 Flat Head Screw



LEFT VERSION



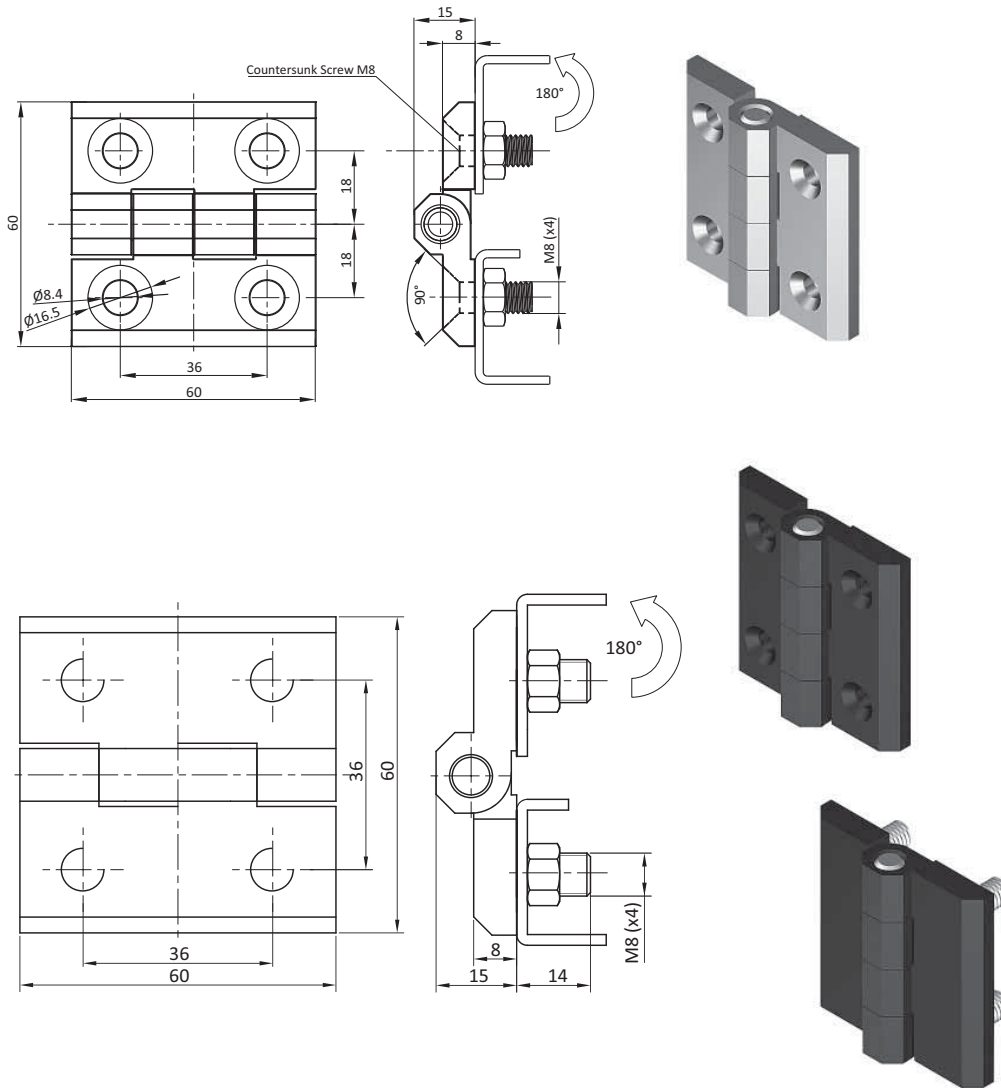
RIGHT VERSION



Version	Black Powder Coated	Chrome Plated
Left	0850272	0850272S01
Right	0850273	0850273S01

SCREW-ON HINGES

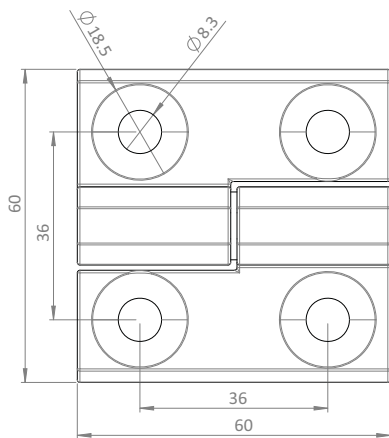
DESCRIPTION	To hinge panels
MATERIAL	Hinge leaves: Die-cast zinc / stainless steel Hinge pin: Mild steel
SURFACE	Hinge leaves: Black powder coated / chrome plated Hinge pin: 304 Stainless Steel
SPECIALS	Non lift off



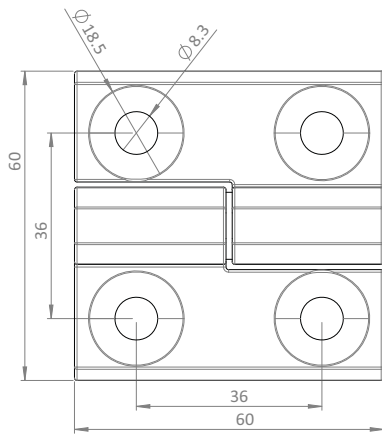
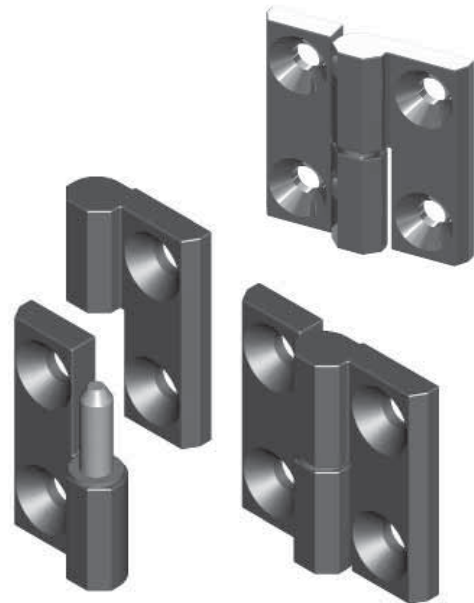
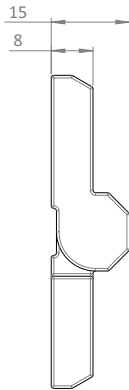
Version	Black Powder Coated	Chrome Plated	SS 316
Countersunk Screw M8	095009	095009S01	09576060E
Threaded M8 Studs	0830117	0830118	



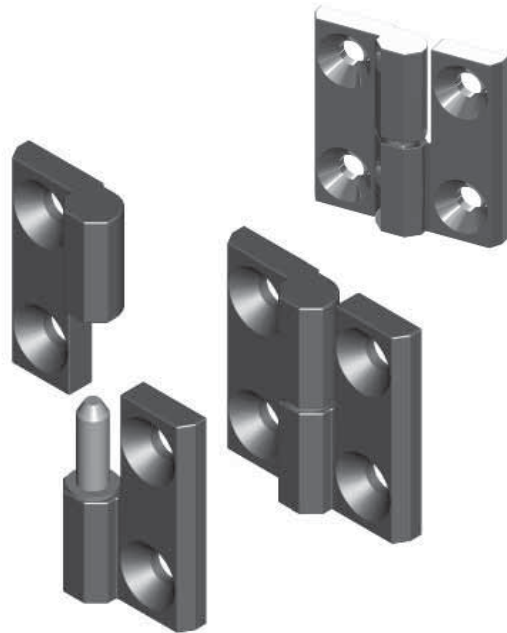
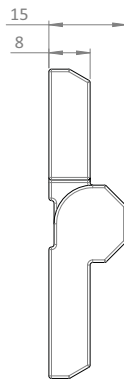
DESCRIPTION	To hinge panels
MATERIAL	Hinge leaves: Die-cast zinc Hinge pin: 304 SS
SURFACE	Hinge leaves: Black powder coat, Chrome Plated
HARDWARE	M6 Flat Head Screw



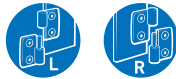
LEFT VERSION



RIGHT VERSION

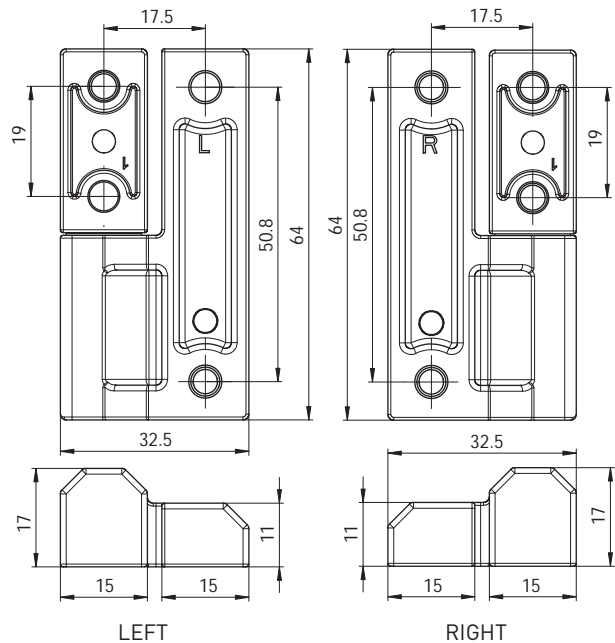
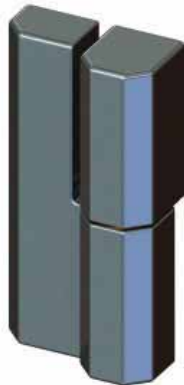
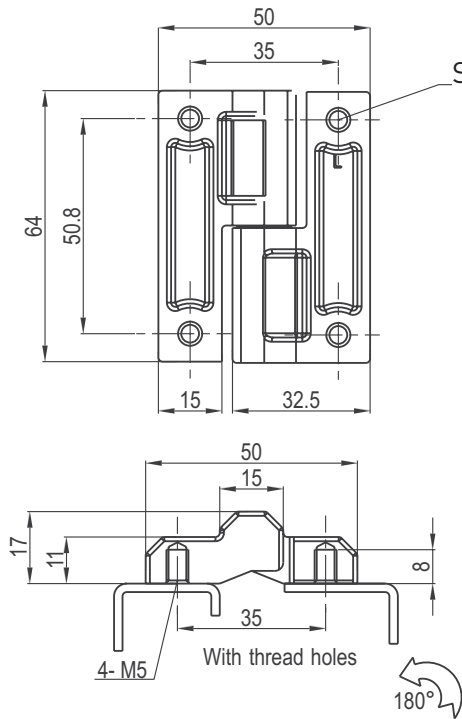


Version	Black Powder Coated	Chrome Plated
Left	0850274	0850274S01
Right	0850275	0850275S01



LIFT-OFF HINGES

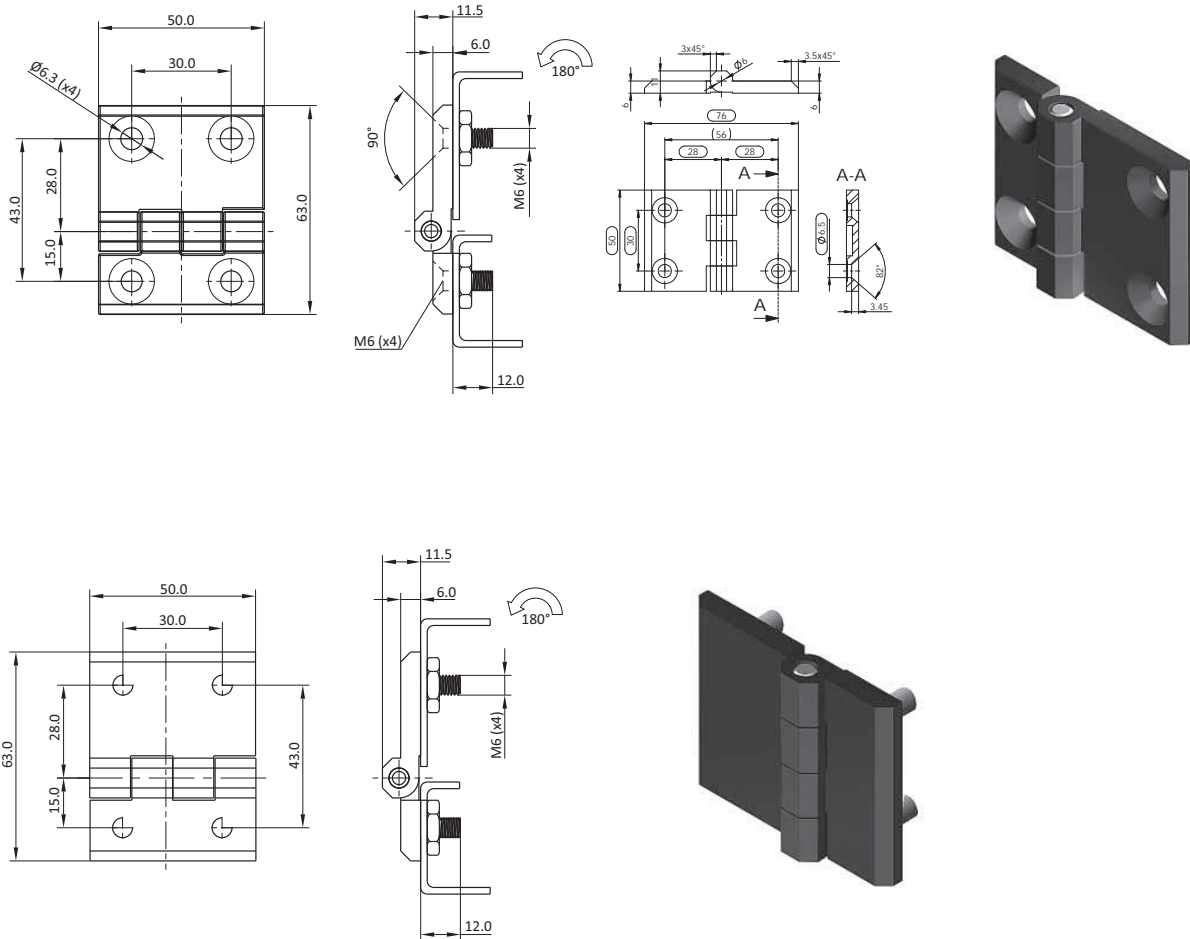
DESCRIPTION	To hinge panels
MATERIAL	Hinge leaves: Die-cast zinc Hinge pin: Mild steel
SURFACE	Hinge leaves: Black powder coated Hinge pin: 304 Stainless Steel
SPECIALS	Lift off



Version	Finish	Left Version	Right Version
With threaded hole #10-32	Black Powder	0830012S01	0830013S01
With threaded hole M5	Black Powder	0830012	0830013
With Threaded Hole M5	Chrome Plated	0830022S01	0830023S01
With Threaded Hole M5	Black Powder	0830022S02	0830023S02

SCREW-ON HINGES

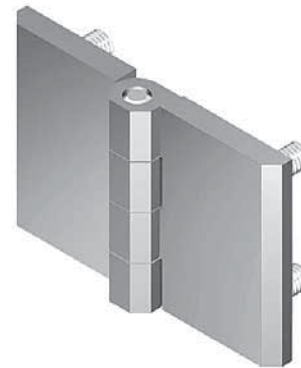
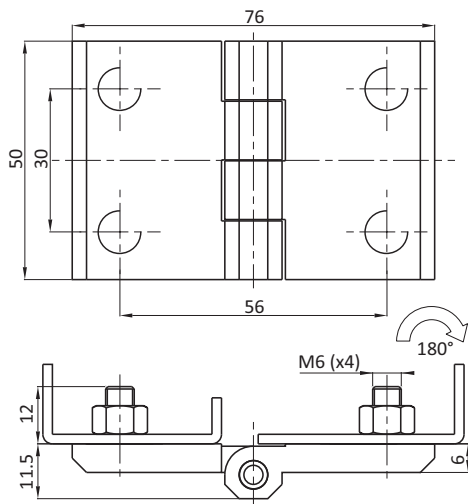
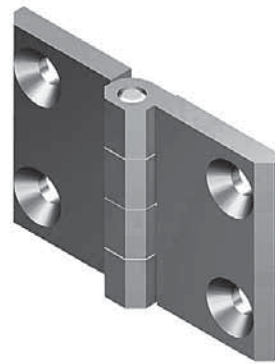
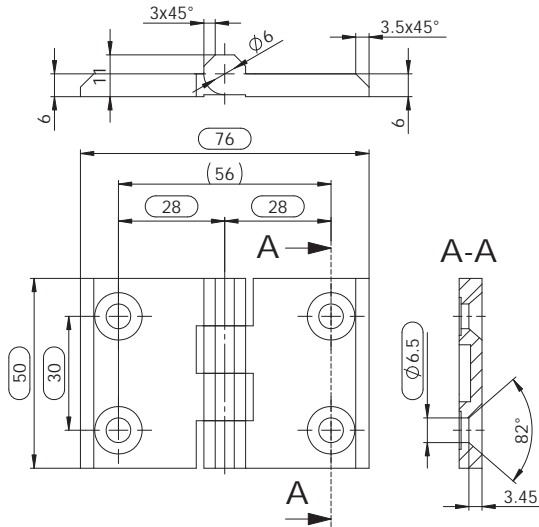
DESCRIPTION	To hinge panels
MATERIAL	Hinge leaves: Die-cast zinc Hinge pin: Mild steel
SURFACE	Hinge leaves: Black powder coated / chrome plated Hinge pin: 304 Stainless Steel
SPECIALS	Non lift off Left and right



Version	Black Powder Coated	Chrome Plated	SS 316
Countersunk Screw M6	095010	095010S01	0830003
Threaded M6 Studs	0813286	0813288	

SCREW-ON HINGES

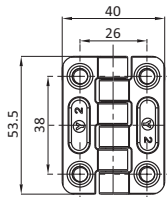
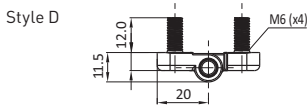
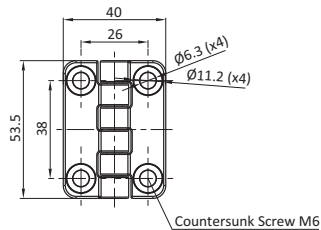
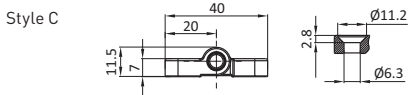
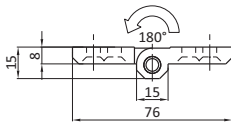
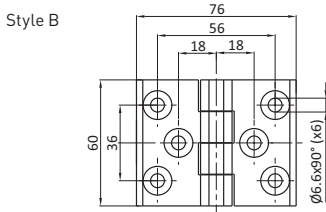
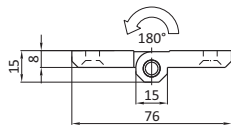
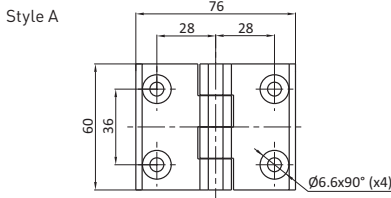
DESCRIPTION	To hinge panels
MATERIAL	Hinge leaves: Die-cast zinc / stainless steel Hinge pin: Mild steel
SURFACE	Hinge leaves: Black powder coated / chrome plated Hinge pin: 304 Stainless Steel
SPECIALS	Non lift off Left and right



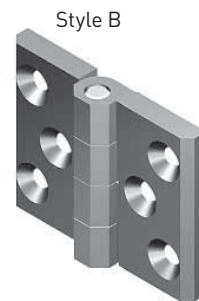
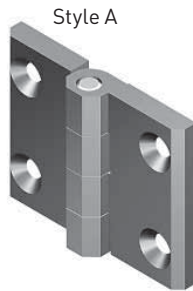
Version	Black Powder Coated	Chrome Plated	SS 316
Countersunk Screw M6	095007	095007S01	0830002
Threaded M6 Studs	095007SB	095007SBS01	



SCREW ON HINGES



DESCRIPTION	To hinge panels
MATERIAL	Hinge leaves: Die-cast zinc Hinge pin: Mild steel
SURFACE	Hinge leaves: Black powder coated / chrome plated Hinge pin: 304 Stainless Steel
SPECIALS	Non lift off

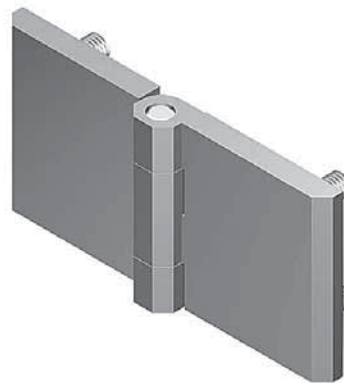
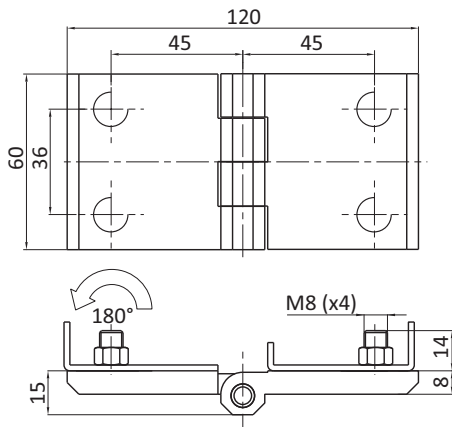
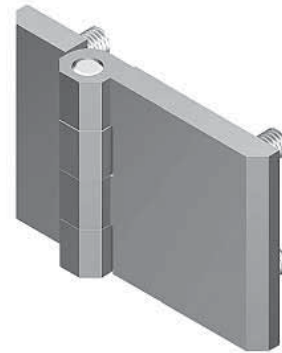
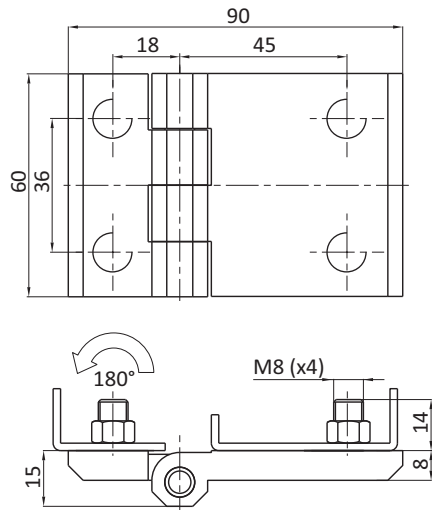


	Version	Black Powder Coated	Chrome Plated
Style A	4 M6 countersunk screw holes	0813303	0813307
Style B	6 M6 countersunk screw holes	095008	095008S01
Style C	4 M6 countersunk screw holes	0813305	0813309
Style D	4 M6 threaded studs	0813306	0813310



SCREW-ON HINGE

DESCRIPTION	To hinge panels
MATERIAL	Hinge leaves: Die-cast zinc Hinge pin: Mild steel
SURFACE	Hinge leaves: Black powder coated / chrome plated Hinge pin: 304 Stainless Steel
SPECIALS	Non lift off Left and right

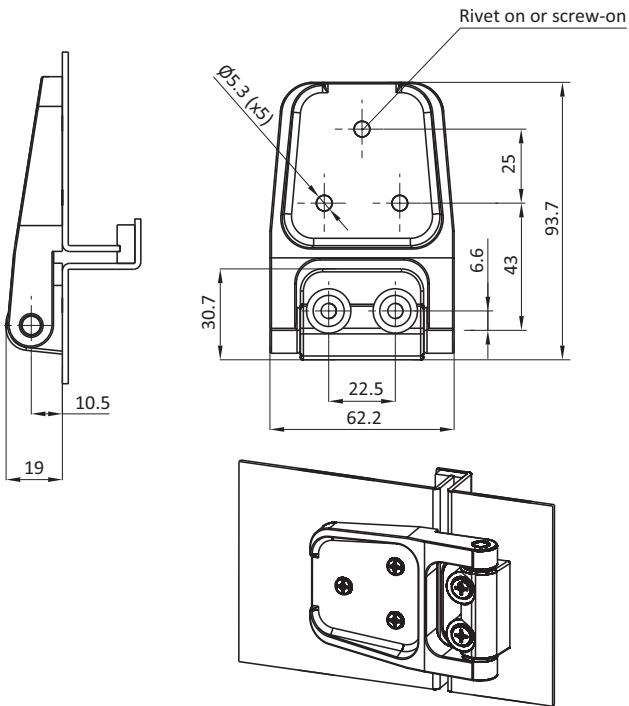


Screw on hinge	Length [mm]	Black Powder Coated	Chrome Plated
	90	0813299	0813301
	120	0813300	0813302



SCREW-ON HINGE

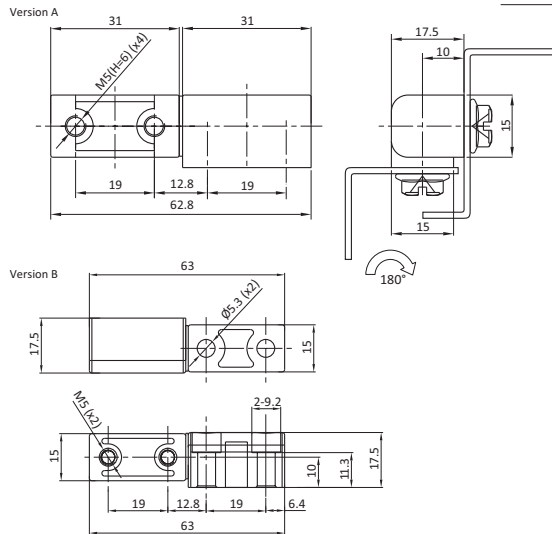
DESCRIPTION	To hinge panels
MATERIAL	Hinge leaves: Nylon PA, glass fiber reinforced Hinge pin: Mild steel
SURFACE	Hinge leaves: Black Hinge pin: 304 Stainless Steel
SPECIALS	Non lift off Left and right





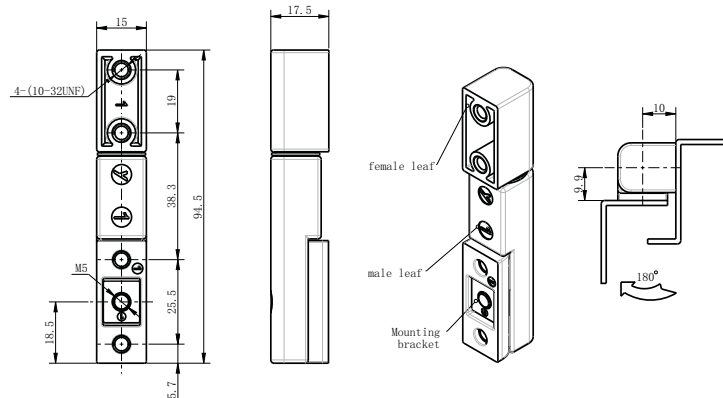
LIFT OFF HINGE

DESCRIPTION	To hinge panels
MATERIAL	Hinge leaves: Die-cast zinc Hinge pin: Mild steel
SURFACE	Hinge leaves: Black powder coated / chrome plated Hinge pin: 304 Stainless Steel
SPECIALS	lift off Left and right



Screw on hinge	Version	Black Powder Coated	Chrome Plated
	A	0830026	0830030
	B	0830027	0830031

DESCRIPTION	To hinge panels
MATERIAL	Hinge leaves: Die-cast zinc Hinge pin: Mild steel
SURFACE	Hinge leaves: Black powder coated / chrome plated Hinge pin: 304 Stainless Steel
SPECIALS	lift off Left and right Adjustable compression



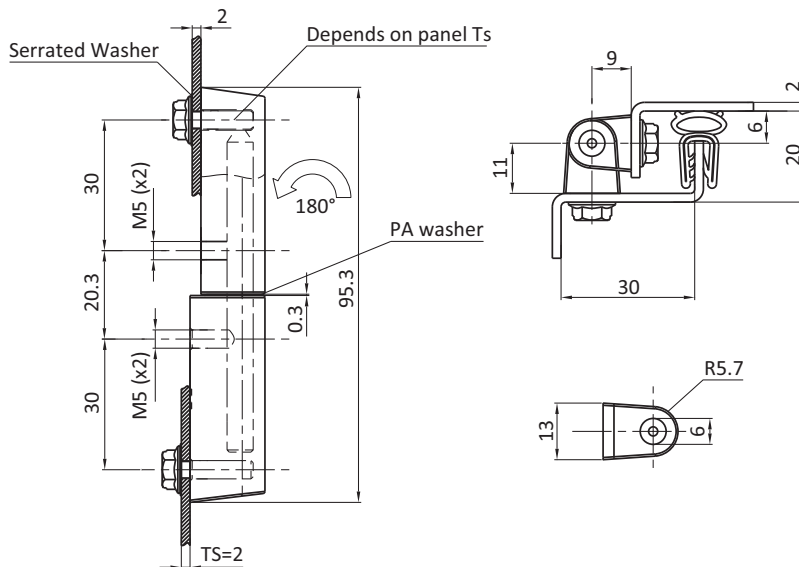
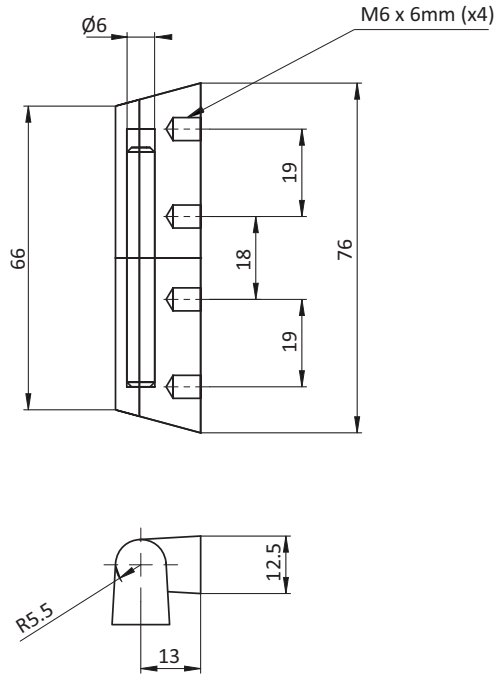
Screw on hinge

Black Powder Coated

0830201

LIFT OFF HINGE

DESCRIPTION	To hinge panels
MATERIAL	Hinge leaves: Die-cast zinc, PA 6, 316 SS Hinge pin: Mild steel, SS
SURFACE	Hinge leaves: Black powder coated / chrome plated Hinge pin: 304 Stainless Steel
SPECIALS	lift off Left and right

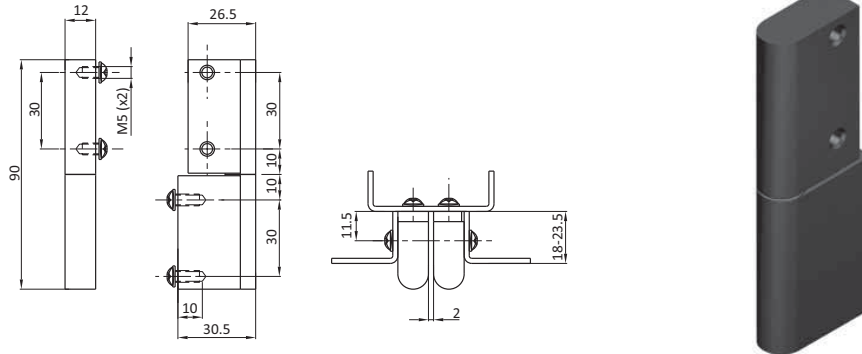


Screw on hinge	Length	PA 6	Black Powder Coated	Chrome Plated	316 Stainless Steel
	95	0830004	0830004S01	0830123	
	76				0830004S02



LIFT OFF HINGE

DESCRIPTION	To hinge panels
MATERIAL	Hinge leaves: Die-cast zinc Hinge pin: Mild steel
SURFACE	Hinge leaves: Black powder coated / chrome plated Hinge pin: 304 Stainless Steel
SPECIALS	Lift off Left and right



Screw-On Hinge

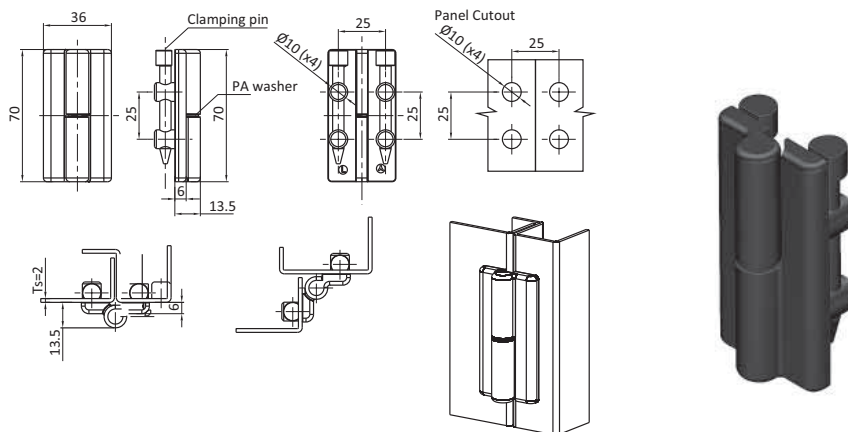
Black Powder Coated

Chrome Plated

0830047

0830048

DESCRIPTION	To hinge panels
MATERIAL	Hinge leaves: Die cast zinc Pin: SS Clamping pin: PA
SURFACE	Black powder coated
SPECIALS	Lift off, Tool-less installation Left and right



Screw-On Hinge

Left

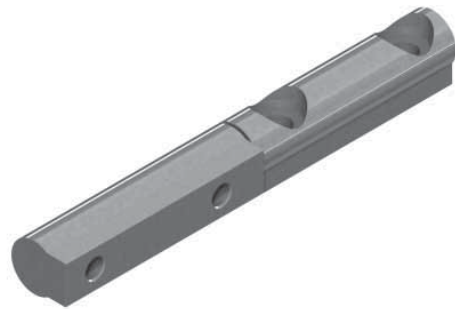
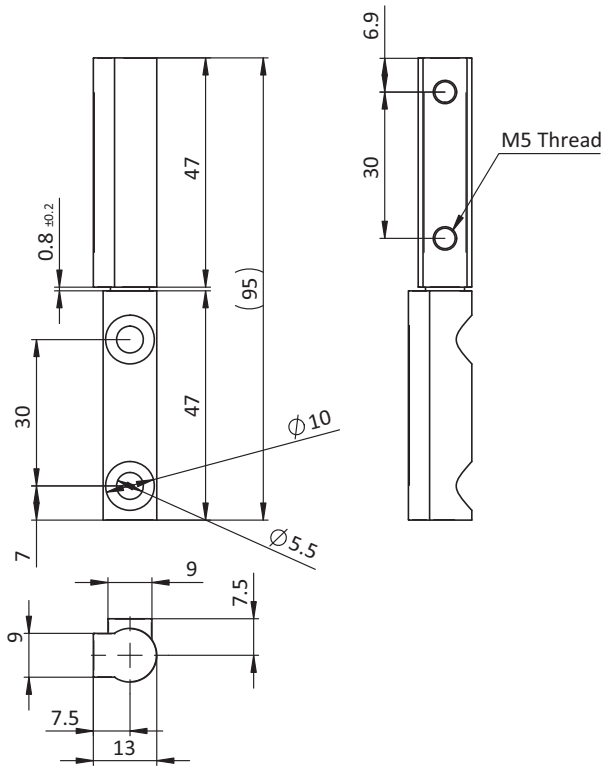
Right

0830012S02

0830013S02

LIFT OFF HINGES

DESCRIPTION	To hinge panels
MATERIAL	Hinge leaves: 304 Stainless Steel Pin: 304 Stainless Steel
SURFACE	Natural
SPECIALS	Lift off, Left and right



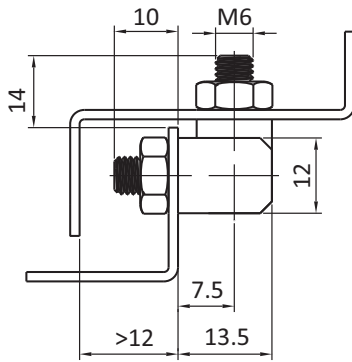
Screw-On Hinge

0840065

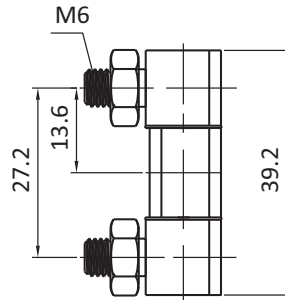
LIFT OFF HINGES

DESCRIPTION	To hinge panels
MATERIAL	Mild steel / stainless steel
COLOR	Zinc plated / plain
SPECIALS	Left and right

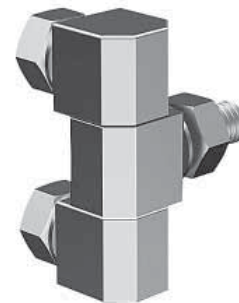
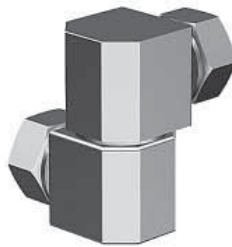
Small Size



Two Joints



Three Joints

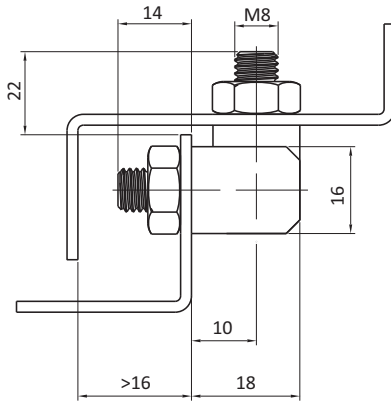


Screw on Hinges	Mild Steel	Stainless Steel
Two Joints	0830053	0830051
Three Joints	0830054	0830052

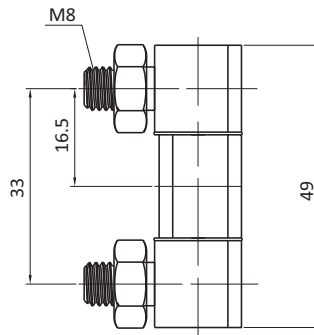
SCREW-ON HINGE

DESCRIPTION	To hinge panels
MATERIAL	Mild steel / stainless steel
COLOR	Zinc plated / plain
SPECIALS	Left and right

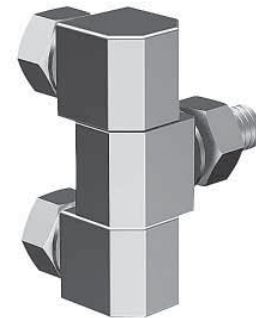
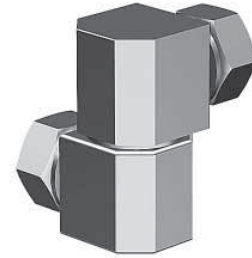
Large Size



Two Joints



Three Joints

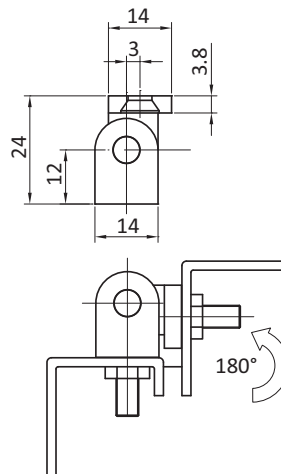
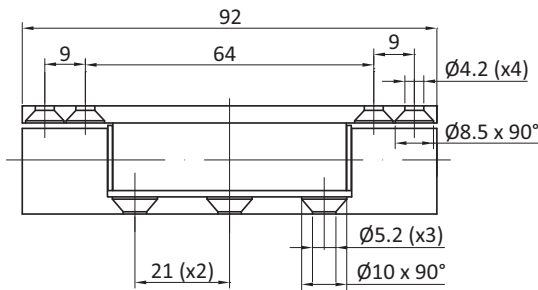
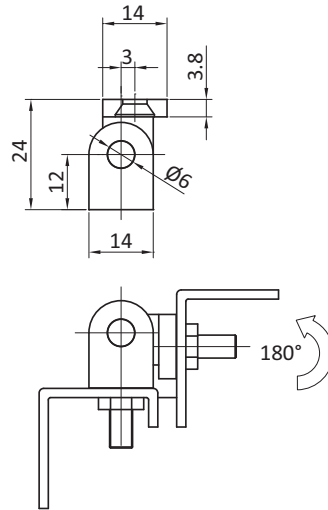
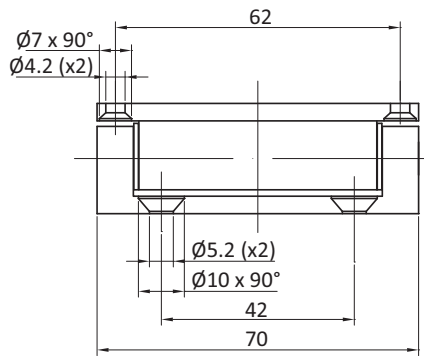


Screw on Hinges	Mild Steel	Stainless Steel
Two Joints	0830057	0830055
Three Joints	0830058	0830056



SCREW ON HINGES

DESCRIPTION	To hinge panels
MATERIAL	Hinge leaves: Die-cast zinc Hinge pin: Mild steel
SURFACE	Hinge leaves: Black powder coated / chrome plated Hinge pin: Zinc plated
SPECIALS	Non lift off

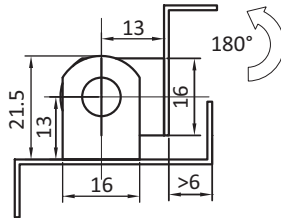
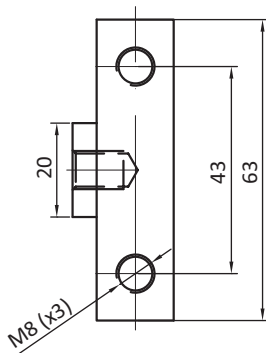
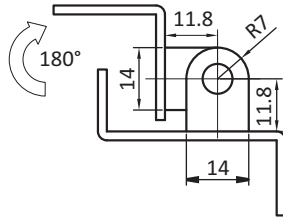
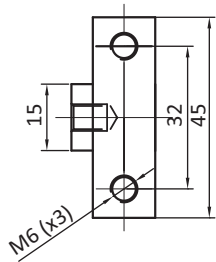


Hinges	Length [mm]	Black Powder Coated	Chrome Plated
62		0830109	0830111
92		0830110	0830112



SCREW ON HINGES

DESCRIPTION	To hinge panels
MATERIAL	Hinge leaves: Die-cast zinc Hinge pin: Mild steel
SURFACE	Hinge leaves: Black powder coated / chrome plated Hinge pin: 304 Stainless Steel
SPECIALS	Non lift off

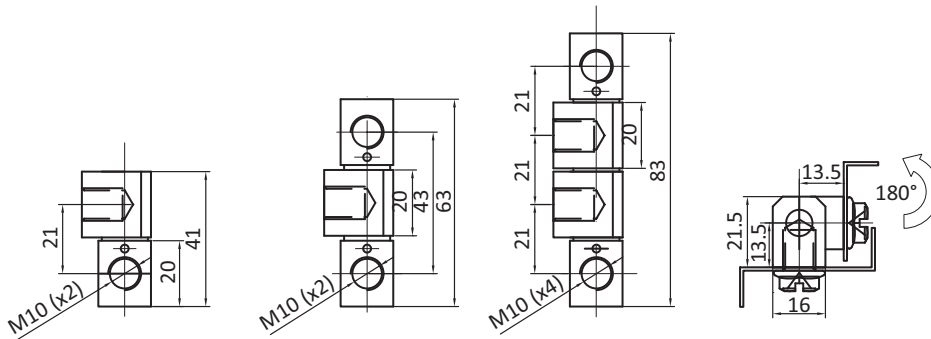


Hinge	Length [mm]	Black Powder Coated	Chrome Plated
45		0830090	0830092
63		0830091	0890093



SCREW ON HINGES

DESCRIPTION	To hinge panels
MATERIAL	Hinge leaves: Die-cast zinc Hinge pin: Mild steel
SURFACE	Hinge leaves: Black powder coated / chrome plated Hinge pin: 304 Stainless Steel
SPECIALS	Non lift off

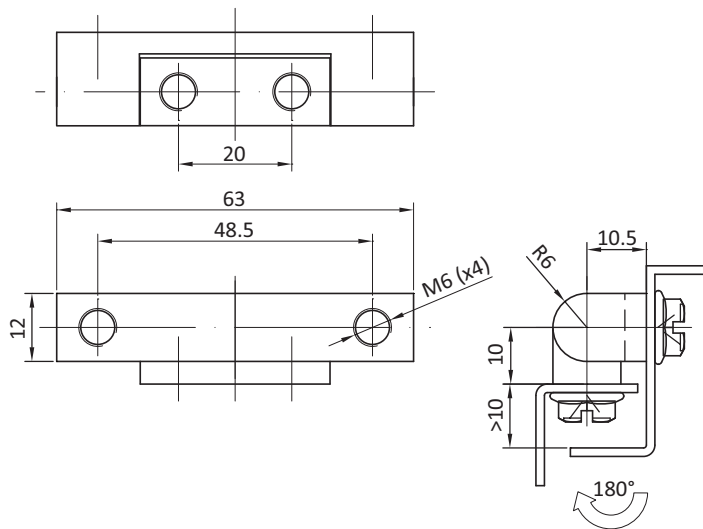


Hinges	Length [mm]	Black Powder Coated	Chrome Plated
41		0830094	0830097
83		0830096	0830099



SCREW ON HINGES

DESCRIPTION	To hinge panels
MATERIAL	Hinge leaves: Die-cast zinc Hinge pin: Mild steel
SURFACE	Hinge leaves: Black powder coated / chrome plated Hinge pin: 304 Stainless Steel
SPECIALS	Non lift off



Hinges

Black Powder Coated

Chrome Plated

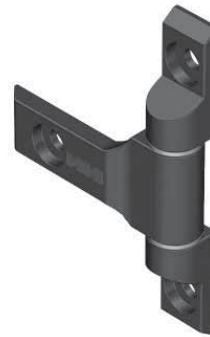
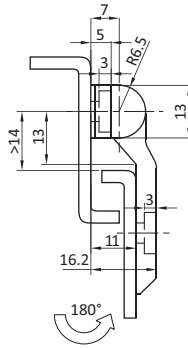
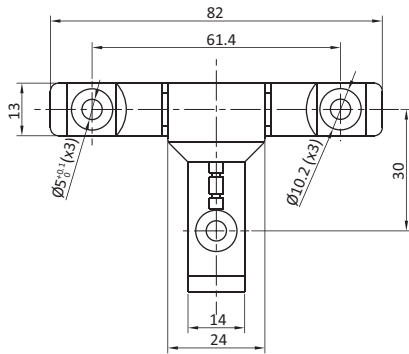
0830078

0830077



SCREW-ON HINGES

DESCRIPTION	To hinge panels
MATERIAL	Hinge leaves: Die-cast zinc Hinge pin and mounting pin: Mild steel
SURFACE	Hinge leaves: Black powder coated

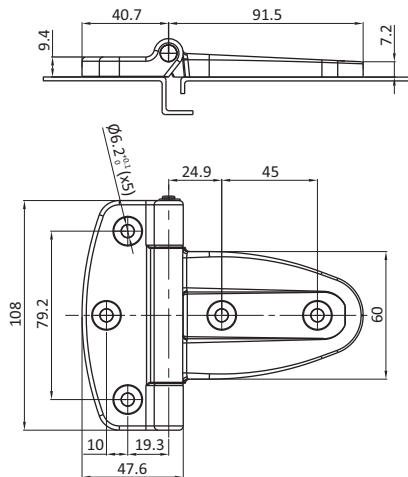


Black Powder Coated

0830080

SCREW-ON HINGE

DESCRIPTION	To hinge panels
MATERIAL	Hinge leaves: Die cast zinc Pin: SS
SURFACE	Hinge leaves: Black
SPECIALS	Non lift off Left and right



Screw-On Hinge

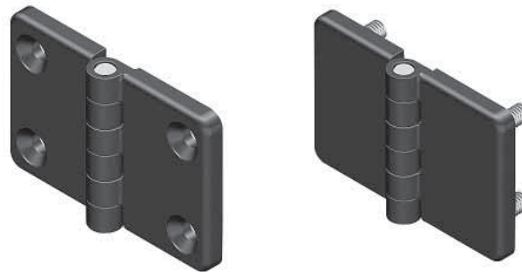
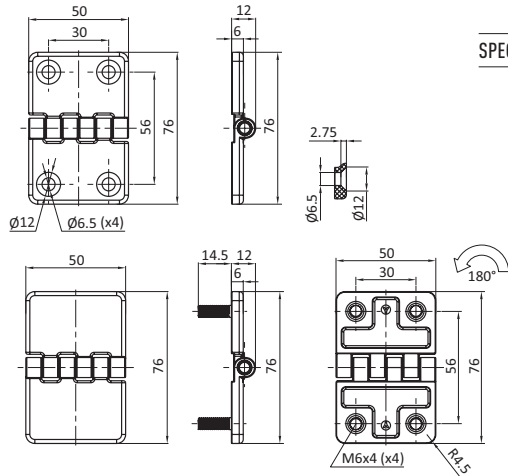
Part #

0813317



SCREW-ON HINGES

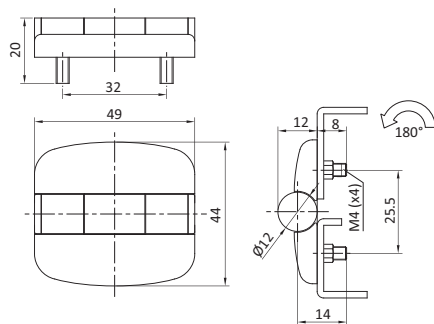
DESCRIPTION	To hinge panels
MATERIAL	Hinge leaves: Die-cast zinc Hinge pin: Mild steel
SURFACE	Hinge leaves: Black powder coated / chrome plated Hinge pin: Zinc plated
SPECIALS	Non lift off



Version	Black Powder Coated	Chrome Plated
4 M6 countersunk screw holes	0830180	0830181
4 M6 threaded studs	0830119	0830120

SCREW-ON HINGE

DESCRIPTION	To hinge panels
MATERIAL	Nylon
COLOR	Black
SPECIALS	Non lift off Left and right

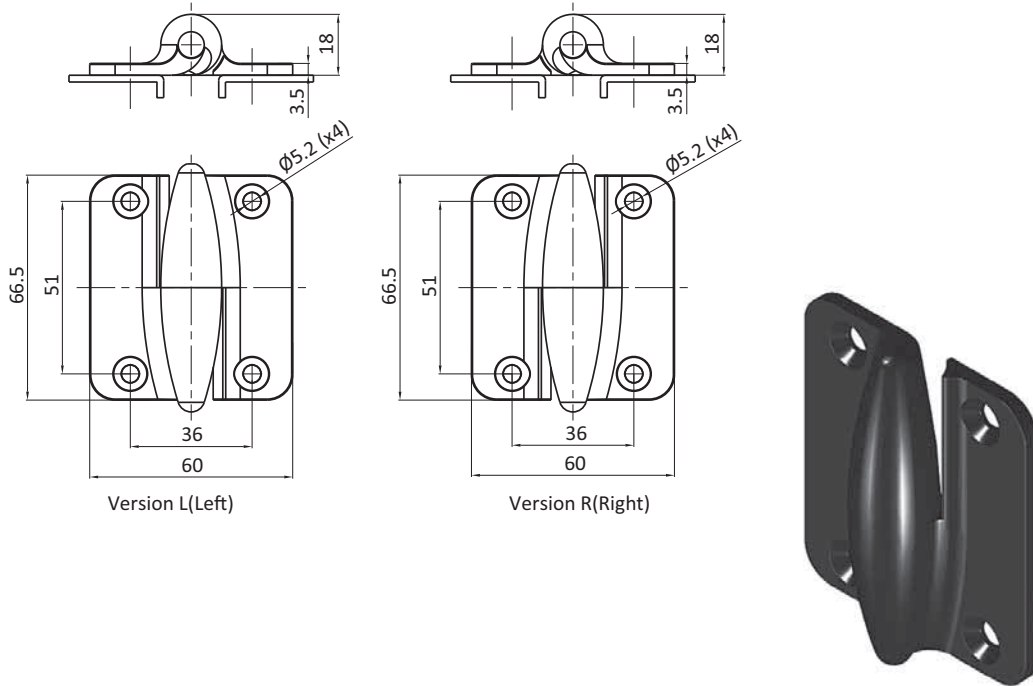


Screw-On Hinge	Free swinging	Detented open angle
	095074	0813312



SCREW-ON HINGE

DESCRIPTION	To hinge panels
MATERIAL	Hinge leaves: Die cast zinc Pin: SS
SURFACE	Black powder coated / chrome plated
SPECIALS	Lift off Left and right



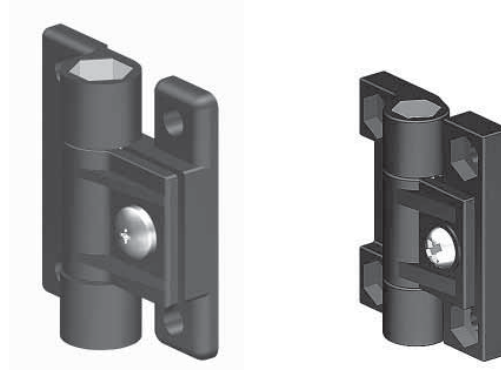
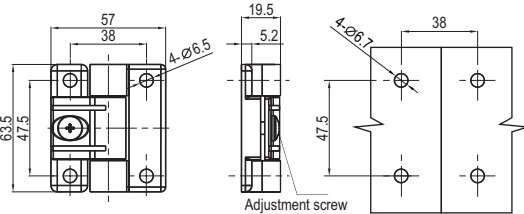
Screw-On Hinge	Left	Right
Black powder coat	0813313	0813314
Chrome plate	0813315	0813316



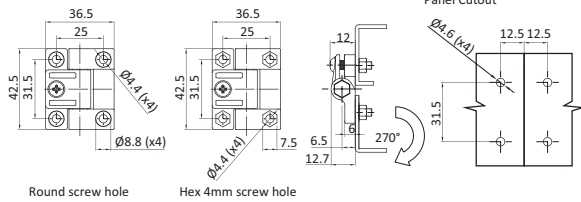
FRICTION HINGES

DESCRIPTION	To hinge panels
MATERIAL	Hinge leaves: Acetal Hinge pin: Polycarbonate
COLOR	Hinge leaves: Black and white
SPECIALS	Life: Within 20 Percent of stated torque after 25,000 cycles

Large Size



Small Size



Round screw hole

Hex 4mm screw hole

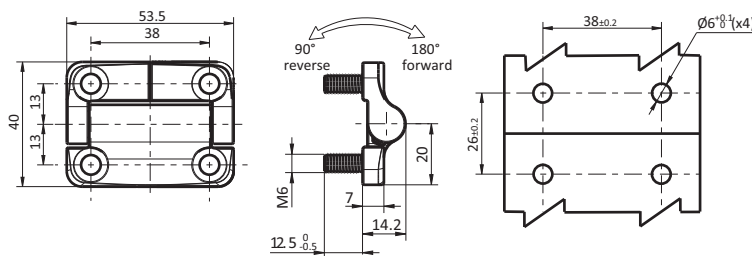
Black

White

	Round screw hole	Hex 4mm screw hole	Round screw hole	Hex 4mm screw hole
Small version	0813290	0830015	0813292	0813293
Large version	0830184			

DESCRIPTION	To hinge panels
MATERIAL	Hinge leaves: Die cast Zinc
SURFACE	Black powder coated
SPECIALS	Life: Within 20 Percent of stated torque after 25,000 cycles

Panel cutout

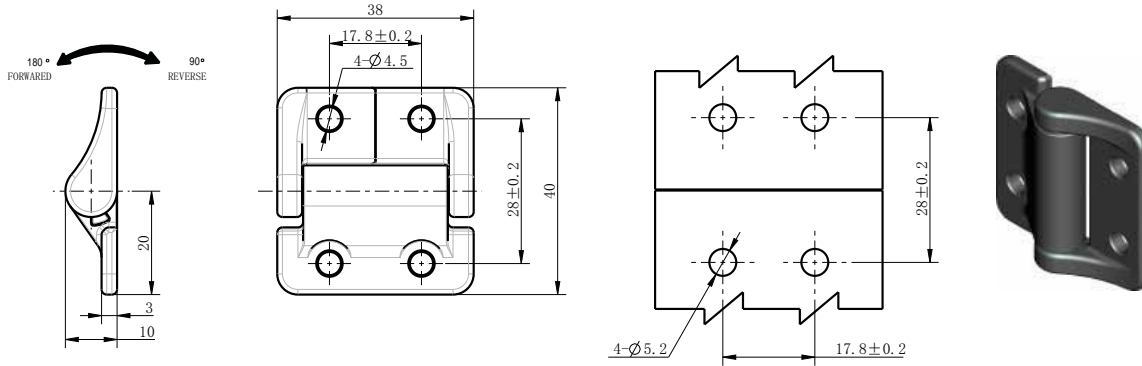


Metal Hinge with Constant Friction	Torque to open Nm(INLB)	Torque to close Nm(INLB)	Part #
Symetric Torque	1.2 (10.6)	1.2 (10.6)	0850125
	1.8 (16.0)	1.8 (16.0)	0850126
	2.3 (20.4)	2.3 (20.4)	0850127
	3.4 (30.1)	3.4 (30.1)	0850128
	4.5 (39.8)	4.5 (39.8)	0850129
Asymetric Torque	2.3 (20.4)	1.4 (12.4)	0850130
	3.4 (30.1)	2.0 (17.7)	0850131
	4.5 (39.8)	2.7 (23.9)	0850132
	1.4 (12.4)	2.3 (20.4)	0850133
	2.0 (17.7)	3.4 (30.1)	0850134
	2.7 (23.9)	4.5 (39.8)	0850135

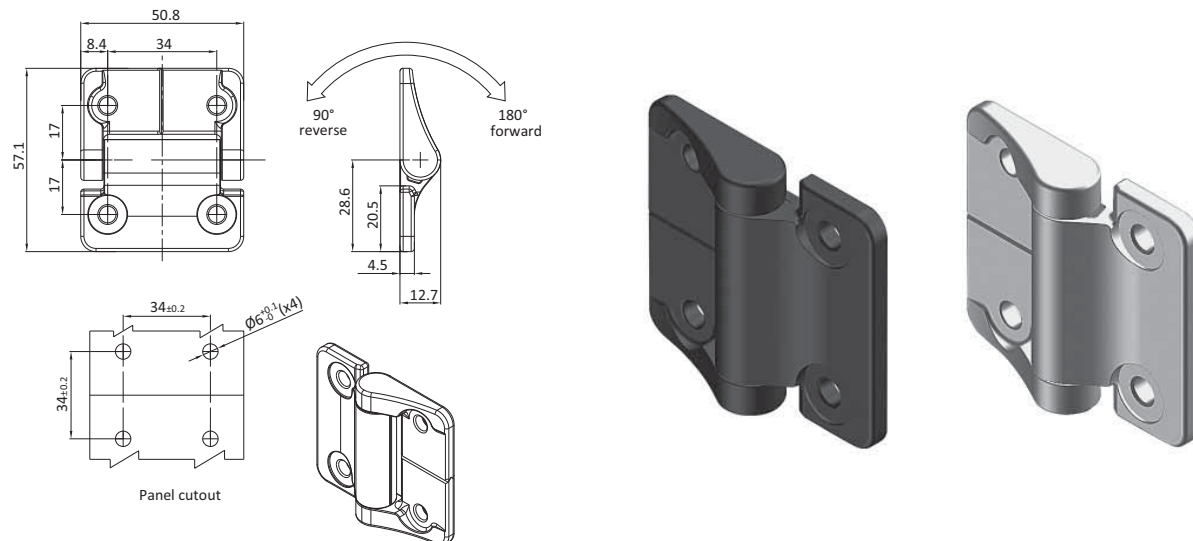


FRICION HINGES

DESCRIPTION	To hinge panels
MATERIAL	Hinge leaves: Die cast zinc Pin: SS
SURFACE	Black powder coated / chrome plated
SPECIALS	Life: Within 20 percent of stated torque after 25,000 cycles



Screw-On Torque Hinge	Symmetric Torque Nm (IN-LB)	Black Powder Coat
	Free Operating	0850225
	0.9 (8.0)	0850226
	1.4 (12.4)	0850227
	1.8 (16.0)	0850228
	2.3 (20.4)	0850229

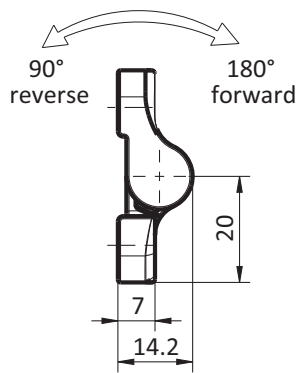
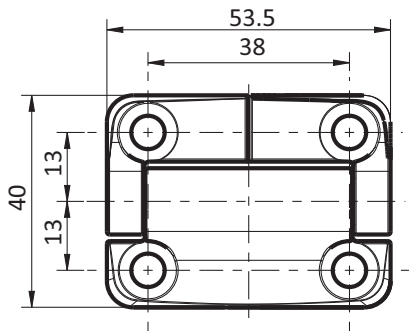


Screw-On Torque Hinge	Torque to open Nm(INLB)	Torque to close Nm(INLB)	Black Powder Coat	Natural
Symetric Torque	1.8 (16.0)	1.8 (16.0)	0813326	0813327
	2.3 (20.4)	2.3 (20.4)	0813328	0813329
	3.4 (30.1)	3.4 (30.1)	0813281	0813282
Asymetric Torque	2.3 (20.4)	1.4 (12.4)	0813330	
	3.4 (30.1)	2.0 (17.7)	0813332	
	4.5 (39.8)	2.7 (23.9)	0813334	
	1.4 (12.4)	2.3 (20.4)	0813336	
	2.7 (23.9)	2.7 (23.9)	0813340	

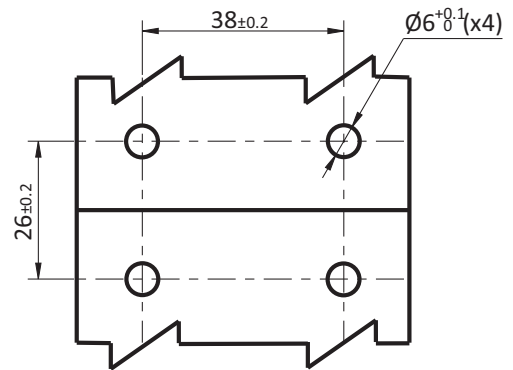


FRICION HINGES

DESCRIPTION	To hinge panels
MATERIAL	Hinge leaves: Die cast zinc Pin: SS
SURFACE	Black powder coated
SPECIALS	Life: Within 20 percent of stated torque after 25,000 cycles



Panel cutout

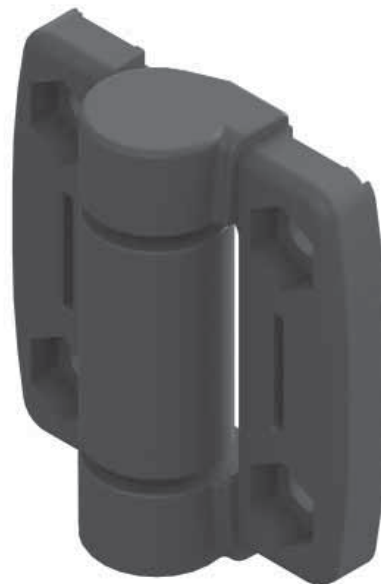
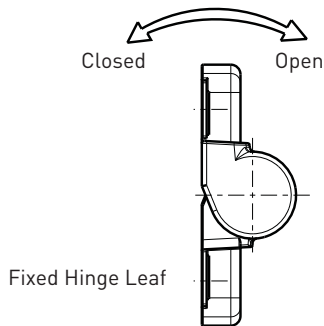
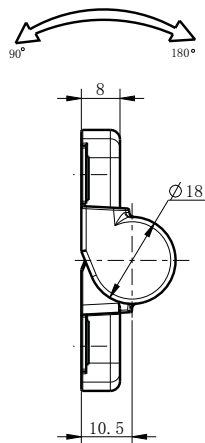
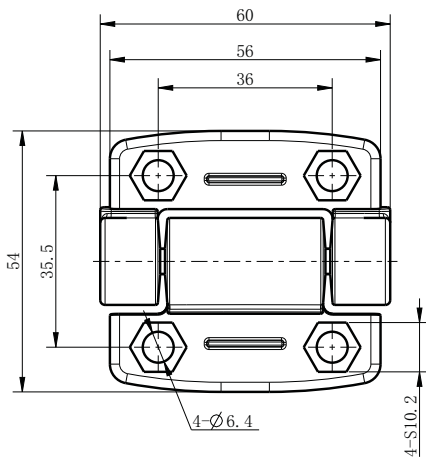


Screw-On Torque Hinge	Torque to open Nm(INLB)	Torque to close Nm(INLB)	Black Powder Coat
Symetric Torque	1.2 (10.6)	1.2 (10.6)	0850114
	1.8 (16.0)	1.8 (16.0)	0850115
	2.3 (20.4)	2.3 (20.4)	0850116
	3.4 (30.1)	3.4 (30.1)	0850117
	4.5 (39.8)	4.5 (39.8)	0850118
Asymetric Torque	2.3 (20.4)	1.4 (12.4)	0850119
	3.4 (30.1)	2.0 (17.7)	0850120
	4.5 (39.8)	2.7 (23.9)	0850121
	1.4 (12.4)	2.3 (20.4)	0850122
	2.0 (17.7)	3.4 (30.1)	0850123
	2.7 (23.9)	4.5 (39.8)	0850124



FRICION HINGES

DESCRIPTION	To hinge panels
MATERIAL	PA 6 Pin Steel
SURFACE	Black
SPECIALS	Life: Within 20 percent of stated torque after 25,000 cycles



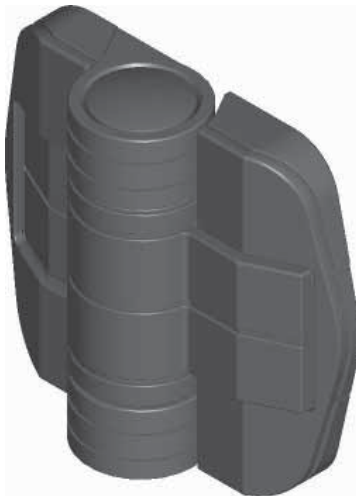
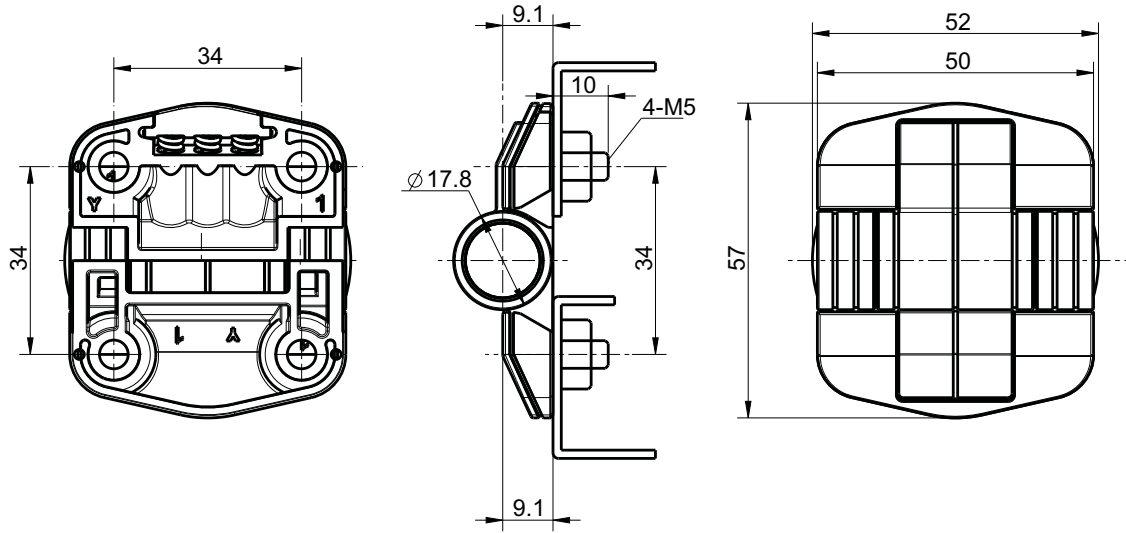
Cover Caps sold sepearately
 Part # 095SA30
 Quantity 2 required

Screw-On Torque Hinge	Torque to open Nm(INLB)	Torque to close Nm(INLB)	Black Powder Coat
Reverse	2.3 (20.4)	0.3 (2.7)	095SUR3030A00
Forward	0.3 (2.7)	2.3 (20.4)	095SUF3030A00



FRICION/DETENT HINGES

DESCRIPTION	To hinge panels
MATERIAL	Nylon Hinge Leaves and Covers
SURFACE	Black
SPECIALS	Life: Within 20 percent of stated torque after 25,000 cycles

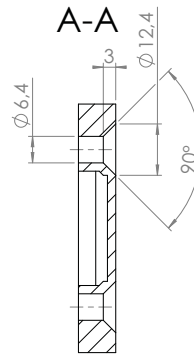
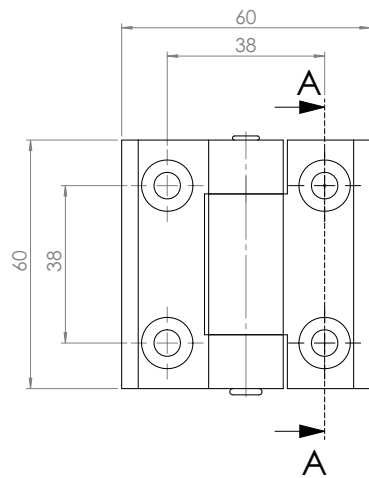
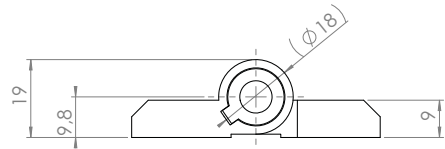


Detented Open Angle	Torque to open Nm(INLB)	Black Powder Coat
80 Degrees	0.7 (6.2)	0830189
	1.1 (9.7)	0830190
	1.7 (15.1)	0830191
115 Degrees	0.7 (6.2)	0830192
	1.1 (9.7)	0830193
	1.7 (15.1)	0830194
150 Degrees	0.7 (6.2)	0830195
	1.1 (9.7)	0830196
	1.7 (15.1)	0830197
No Detent		0830198



DETENT HINGES

DESCRIPTION	To hinge panels
MATERIAL	Leafs: Die cast zinc Pin Steel
SURFACE	Black powder coated
SPECIALS*	+/- 20% of the listed value

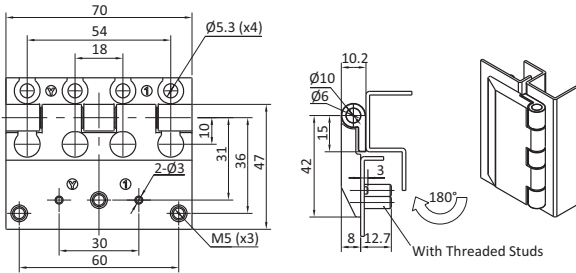


F _{Amax} [N]	F _{Rmax} [N]	Camming Torque* [Nm]	Weight [g]	Part #
1000	1800	1.1	140	095009F



SCREW-ON HINGE

DESCRIPTION	To hinge panels
MATERIAL	Hinge: Die cast zinc Pin: SS
SURFACE	Black powder coated / Matte silver spray painted
SPECIALS	Non lift off Left and right



Screw-On Hinge

Black Powder Coated

MN Spray Painted (Matte silver)

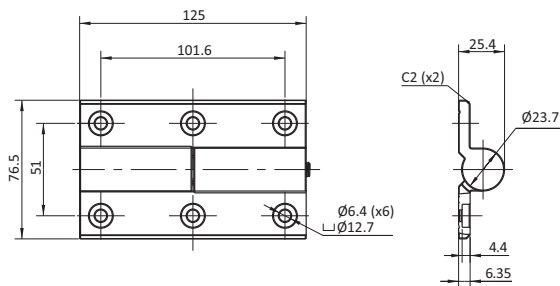
with M5 threaded stud

0813349

0813350

SCREW-ON HINGE

DESCRIPTION	To hinge panels
MATERIAL	Hinge: Die cast zinc Pin: SS
SURFACE	Black powder coated / RAL7005 powder coated
SPECIALS	Non lift off Left and right



Adjustment screw for vertical door adjustment



Screw-On Hinge

Black Powder Coated

MN Spray Painted (Matte silver)

left

095401LS01

095401L

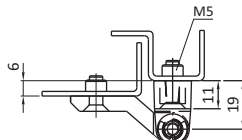
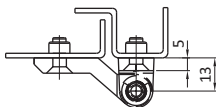
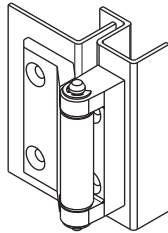
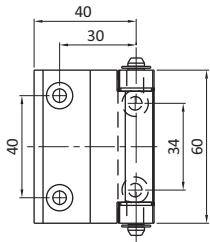
right

095401RS01

095401R

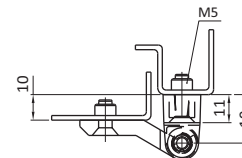
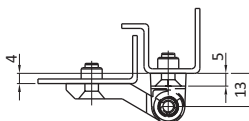
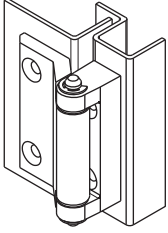
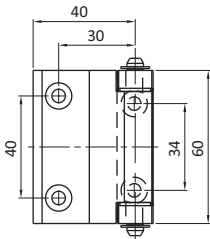
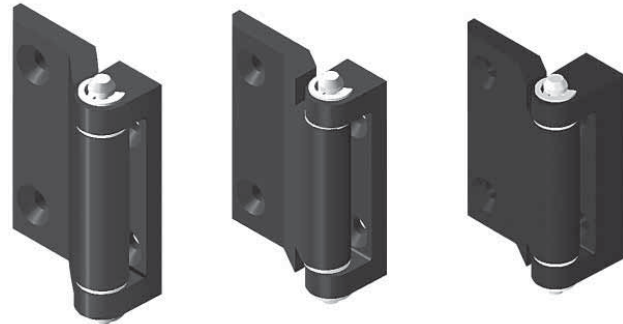
SCREW-ON HINGES

DESCRIPTION	To hinge panels
MATERIAL	Hinge: Die-cast zinc Pin: Mild steel
SURFACE	Black powder coated / chrome plated
SPECIALS	Non lift off Left and right



Standard

Height: 6mm higher



Height: 4mm higher

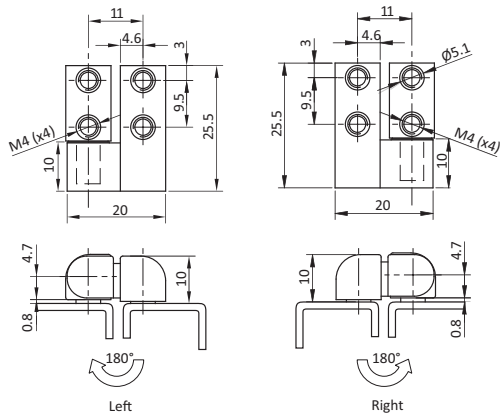
Height: 10mm higher

Version	Black Powder Coated	Chrome Plated	SS 316
Standard	0813352	0813354	0813356
6mm higher	0813353	0813355	
4mm higher	0813357	0813359	
10mm higher	0813358	0813360	



SCREW-ON HINGES

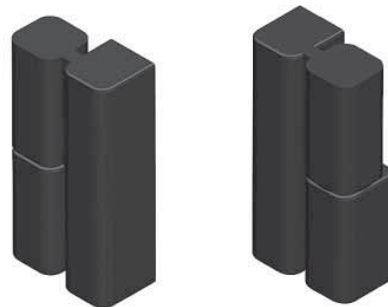
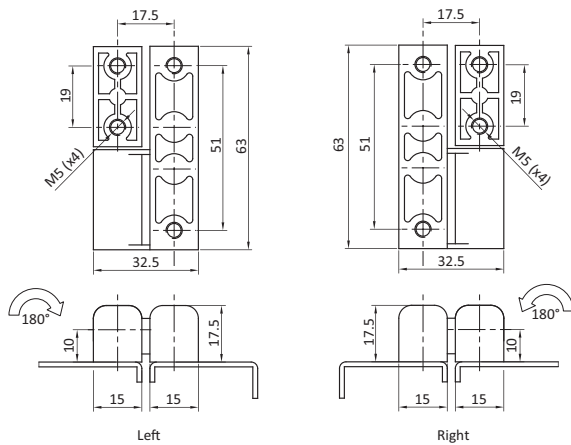
DESCRIPTION	To hinge panels
MATERIAL	Hinge: Die cast zinc
SURFACE	Black powder coated
SPECIALS	Lift off Left and right



Screw-On Hinge	Left	Right
M4 Screw Hole	0830016	0830017
#6-32 Screw Hole	0813361	0813362

SCREW-ON HINGES

DESCRIPTION	To hinge panels
MATERIAL	Hinge: Die cast zinc
SURFACE	Black powder coated / chrome plated
SPECIALS	Lift off Left and right

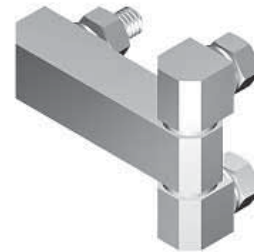
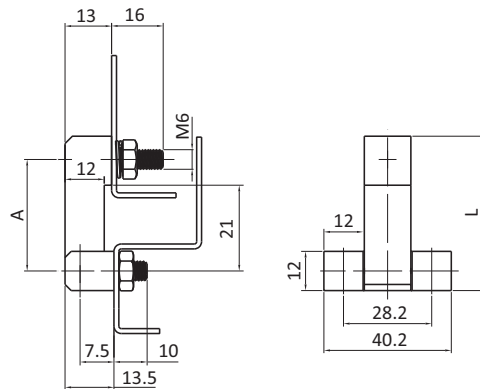


Screw-On Hinge	Left Hand	Right Hand
Black Powder coated with M5 Thread	0830018	0830019
Black Powder Coated with #10-32 Mtg Thd	0830020	0830021
Chrome plated with M5 Thread	0830022	0830023

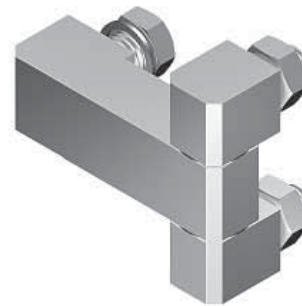
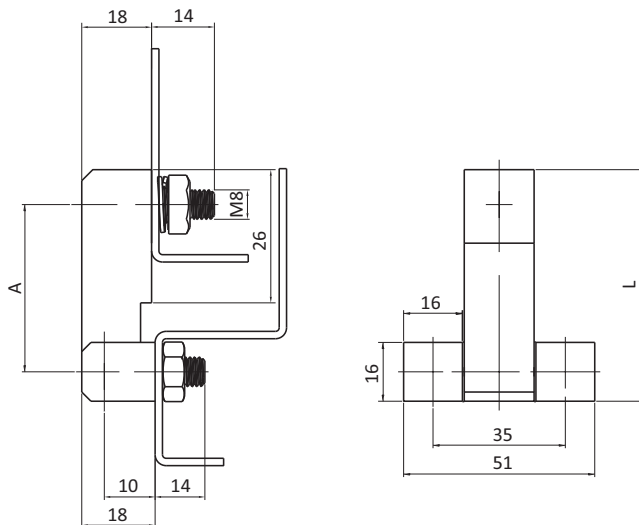
HEAVY DUTY SCREW-ON HINGES

DESCRIPTION	To hinge panels
MATERIAL	304 SS / Mild steel
SURFACE	Zinc plated
SPECIALS	Non lift off Left and right

Small Size



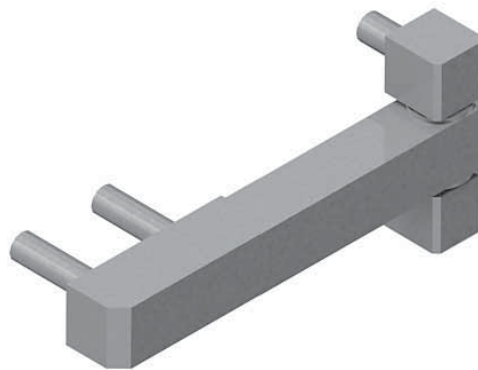
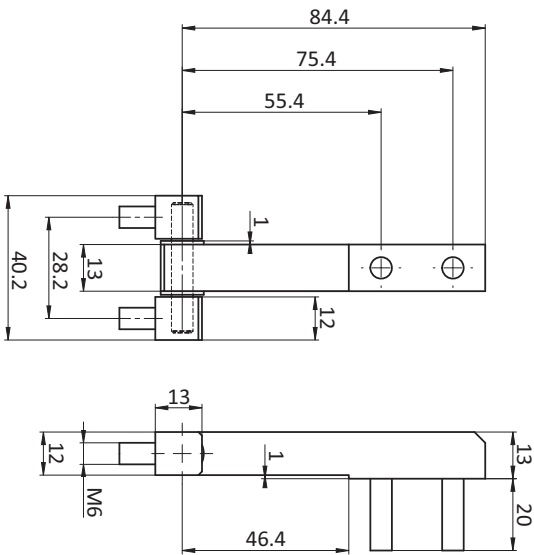
Large Size



	A [mm]	L [mm]	Stainless steel	Steel
Small size	30	45	0813363	0813364
	38	53	0813365	0813366
Large size	29	50	0813367	0813368
	40	61	0813369	0813370

HEAVY DUTY SCREW-ON HINGE

DESCRIPTION	To hinge panels
MATERIAL	304 SS
SPECIALS	Non lift off Left and right



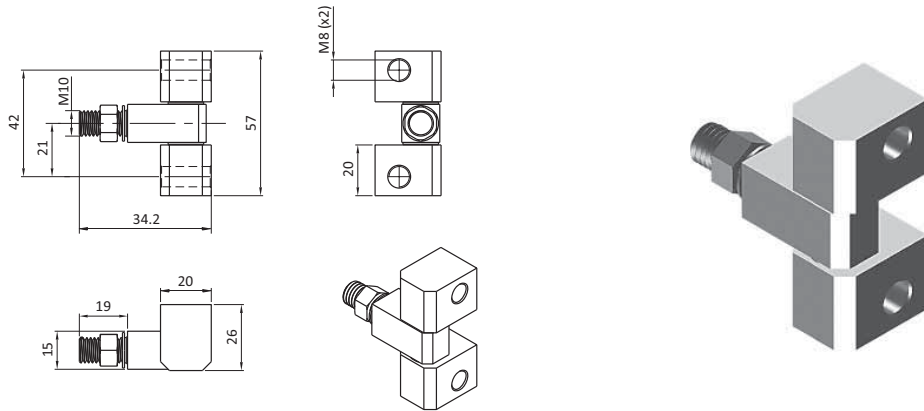
Screw-On Hinge

Part #

0830049S01

HEAVY DUTY SCREW-ON HINGE

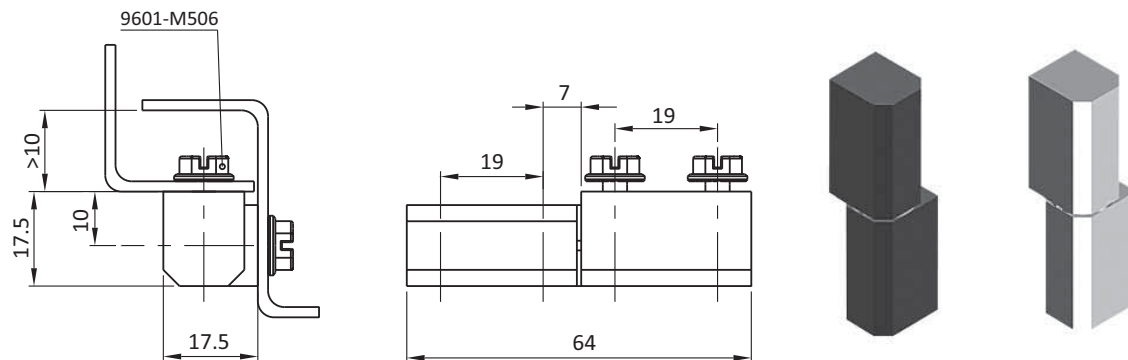
DESCRIPTION	To hinge panels
MATERIAL	304 SS / Mild steel
SURFACE	Zinc plated
SPECIALS	Non lift off Left and right



Screw-On Hinge	Stainless steel	Steel
Three joints	0813371	0813372

SCREW-ON HINGE

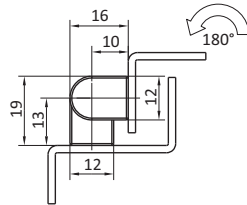
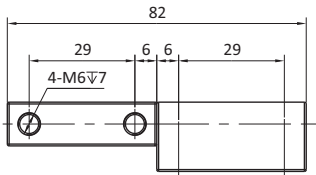
DESCRIPTION	To hinge panels
MATERIAL	Die-cast zinc / 316 SS Pin: Mild steel
SURFACE	Black powder coated / chrome plated
SPECIALS	Lift off Left and right



	Black Powder Coated
	0813373

SCREW-ON HINGE

DESCRIPTION	To hinge panels
MATERIAL	304 SS
SPECIALS	Lift off Left and right



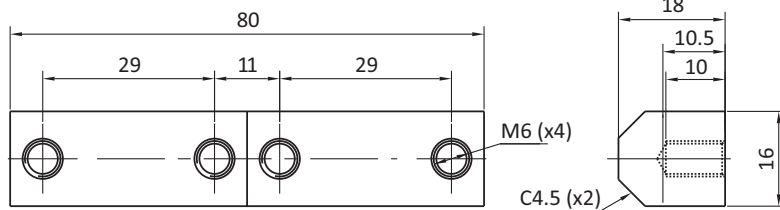
Screw-On Hinge

Part #

0813376

SCREW-ON HINGE

DESCRIPTION	To hinge panels
MATERIAL	304 SS
SPECIALS	Lift off Left and right



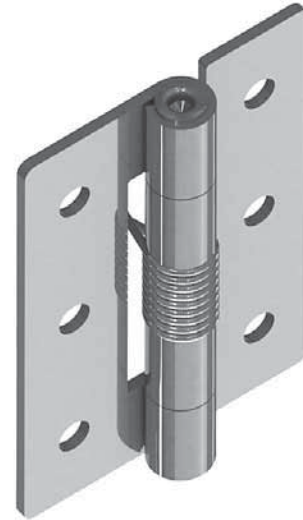
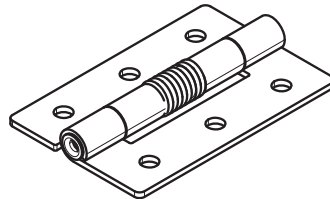
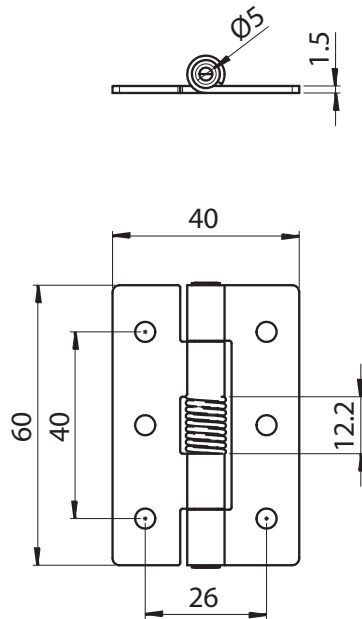
Screw-On Hinge

Part #

0813377

STAMPED METAL HINGES

DESCRIPTION	To hinge panels
MATERIAL	304 SS
SPECIALS	Non lift off Left and right



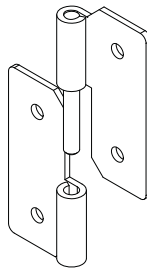
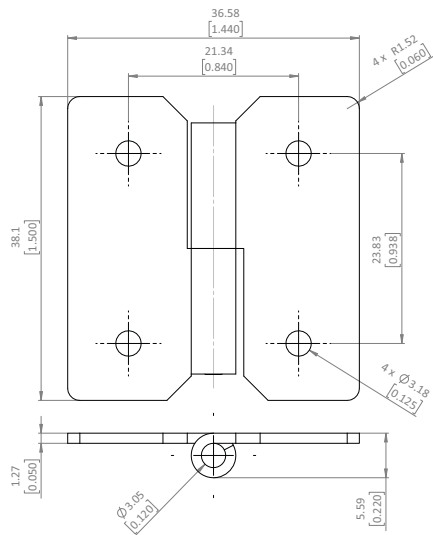
Spring loaded

Screw-On Hinge

Part #

095072502

DESCRIPTION	To hinge panels
MATERIAL	Mild steel, Finish: Ncikel Plated
SPECIALS	Lift off Left Hand

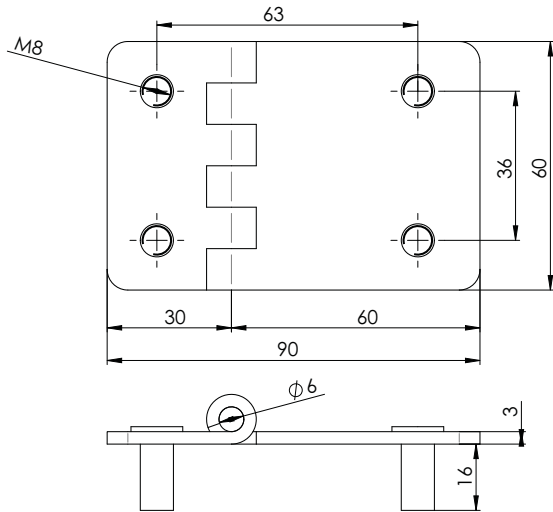


Screw-On Hinge

Part #

0830207

STAMPED METAL HINGES



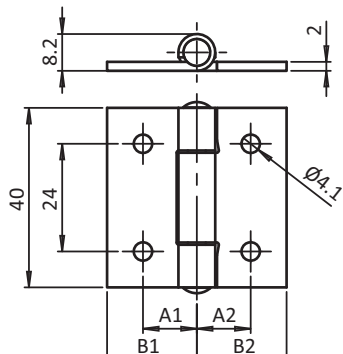
DESCRIPTION	To hinge panels
MATERIAL	Hinge Mild Steel Hinge pin: Steel
COLOR	Black Powder Coat

4 x PEM studs - Stud heads larger than pressed in hole

PART NUMBER

CP10092603

DESCRIPTION	To hinge panels
MATERIAL	Wing: 304 Stainless Steel Bolt: 304 Stainless Steel
COLOR	Plain
FASTENING	From the front, using M6 countersunk screws

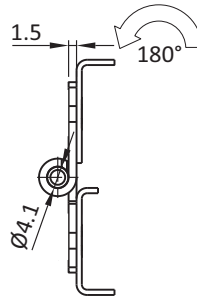
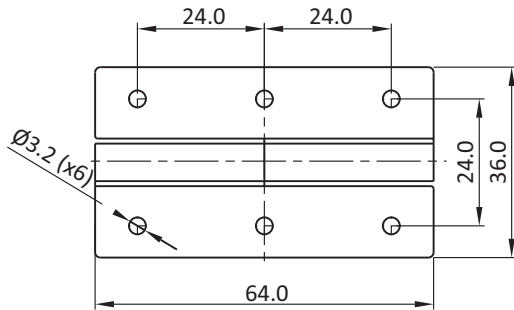


Light Stainless Steel Hinge	A1 [mm]	A2 [mm]	B1 [mm]	B2 [mm]	[N]	[N]	Part #
	12.0	12.0	20.0	20.0	320.0	390.0	095072

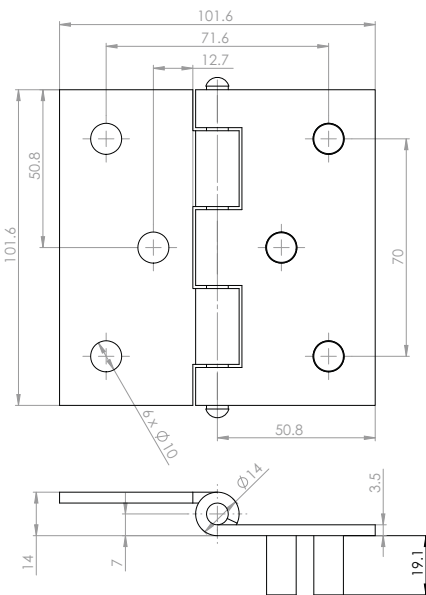


STAMPED METAL HINGES

DESCRIPTION	To hinge panels
MATERIAL	Mild Steel 304 SS Pin: SS
SURFACE	Zinc plated
SPECIALS	Lift off Left and right



Screw-On Hinge	Left	Right
304 SS	0813295	0813296
Mild steel zinc plated	0813297	0813298



M10 Threaded Stud

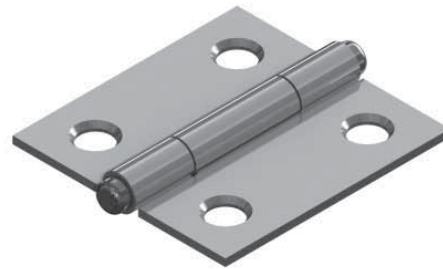
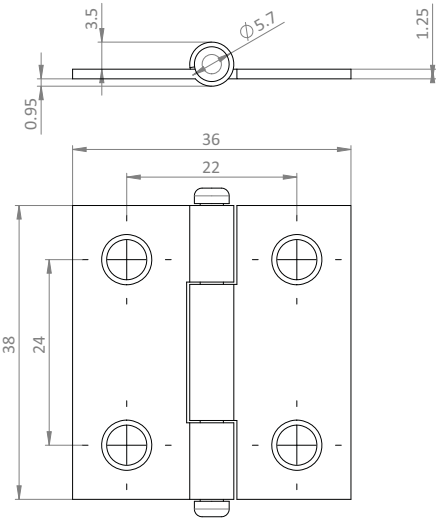
DESCRIPTION	To hinge panels
MATERIAL	Mild Steel Pin: SS
SURFACE	Black Powder Coat
SPECIALS	Left and right



Screw-On Hinge	CP00926001S01
----------------	---------------



STAMPED METAL HINGES



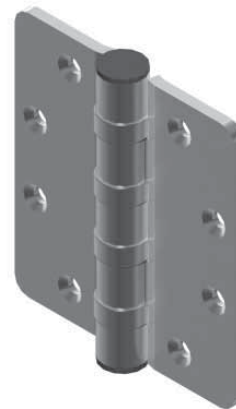
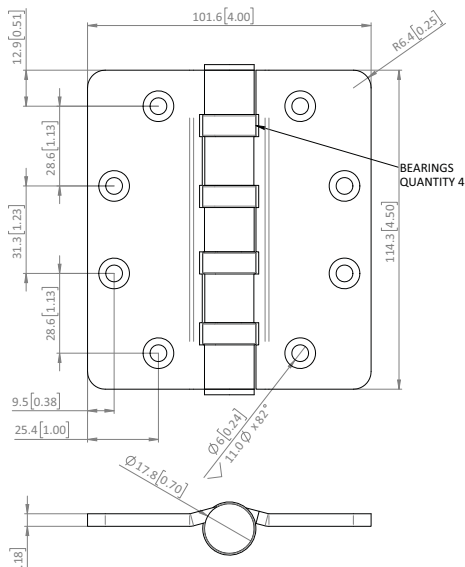
DESCRIPTION	To hinge panels
MATERIAL	Wing: Mild Steel Bolt: Aluminum
COLOR	Zinc Plated
FASTENING	From the front, using M6 countersunk screws

Stamped Metal Hinges

Part #

KT10799061

STAMPED METAL HINGES



DESCRIPTION	To hinge panels
MATERIAL	316 SS
COLOR	Natural, Passivated
FASTENING	From the front, using M6 countersunk screws

Stamped Metal Hinges

Part #

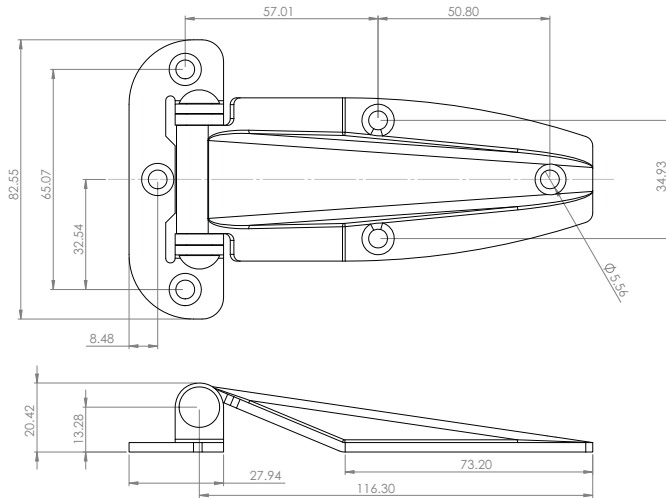
0850262



TRUCK DOOR HINGE



DESCRIPTION	Truck Door Hinge
MATERIAL	304 Stainless Steel
COLOR	Passivated
FASTENING	From the front, using M5 countersunk screws



Truck Door Hinge

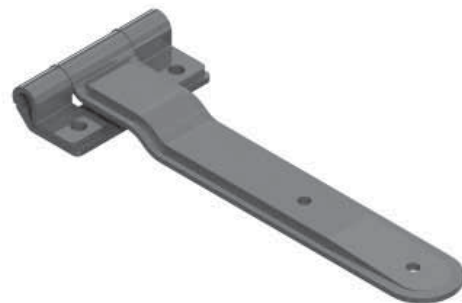
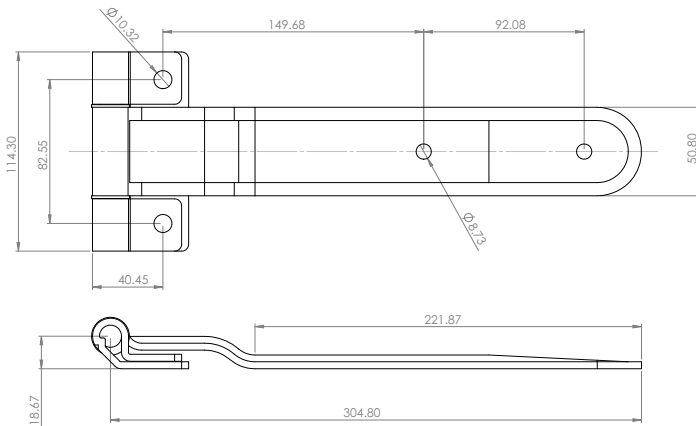
Part #

0850192

TRUCK DOOR HINGE



DESCRIPTION	Truck Door Hinge
MATERIAL	304 Stainless Steel
COLOR	Passivated
FASTENING	From the front, using M5 countersunk screws



Truck Door Hinge

Part #

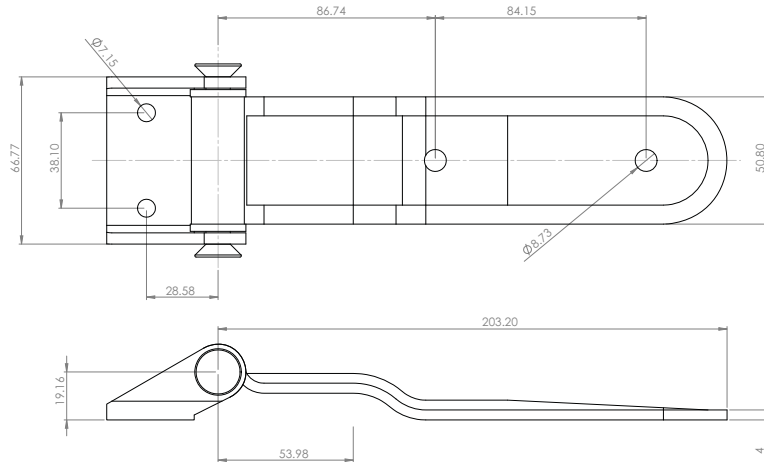
0850193



TRUCK DOOR HINGE



DESCRIPTION	Truck Door Hinge
MATERIAL	304 Stainless Steel
COLOR	Passivated
FASTENING	From the front, using M5 countersunk screws



Truck Door Hinge

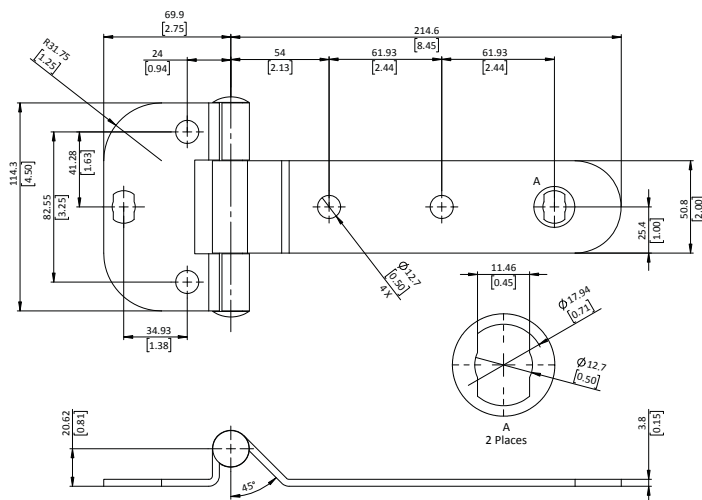
Part #

0850194

TRUCK DOOR HINGE



DESCRIPTION	Truck Door Hinge
MATERIAL	304 Stainless Steel
COLOR	Passivated
FASTENING	From the front, using M5 countersunk screws



Truck Door Hinge

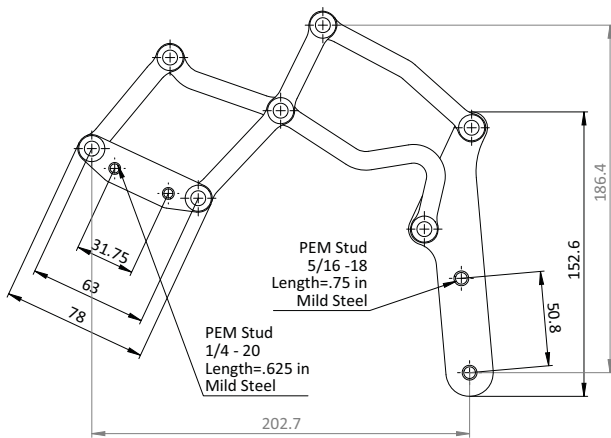
Part #

0850191

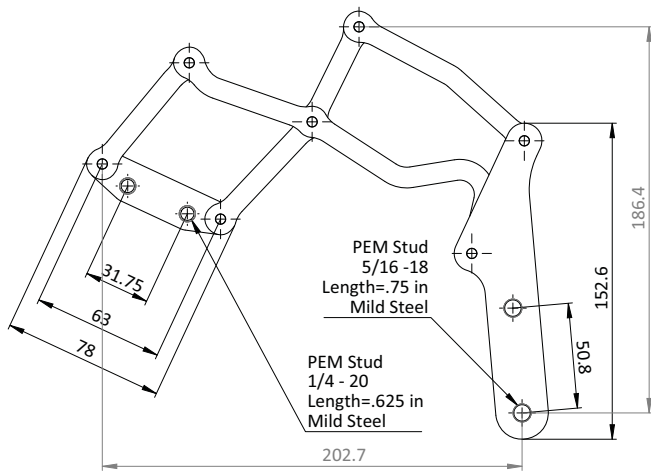
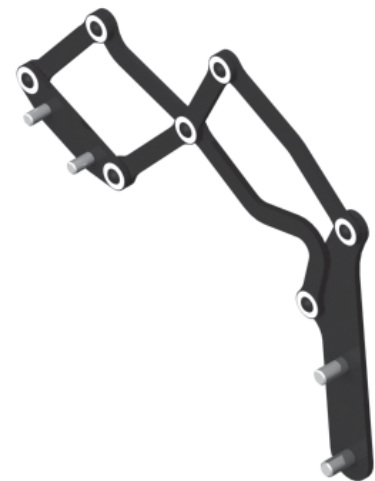
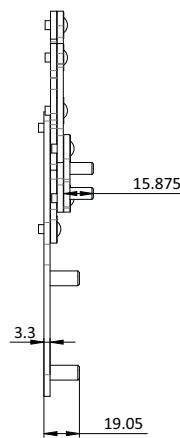
STAMPED METAL HINGES



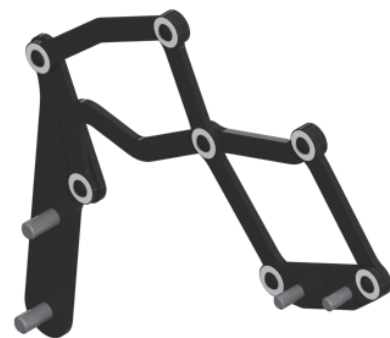
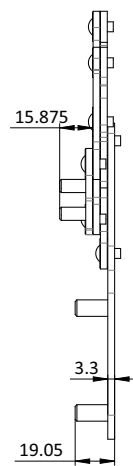
DESCRIPTION	To hinge panels
MATERIAL	Legs: Mild Steel Rivets: Steel
COLOR	Black E-Coated
FASTENING	From the front, using M6 countersunk screws



LEFT



RIGHT



Screw-On Hinge

Mild steel zinc plated

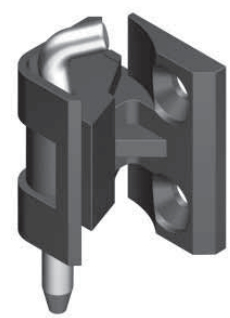
Left

CP101936002

Right

CP101936001

INDUSTRIAL HARDWARE CHAPTER 7: **SEMI-CONCEALED HINGES**

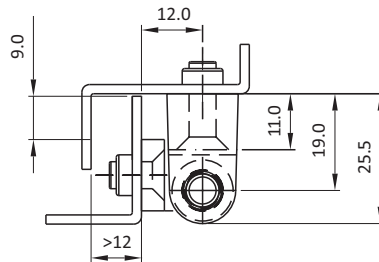
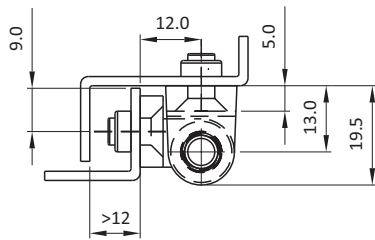
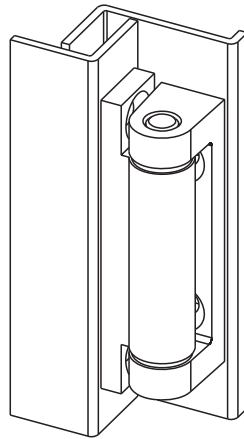
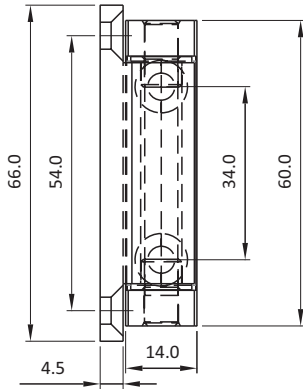


SCREW-ON HINGES	190
SEMI-CONCEALED METAL HINGES	191-192
SEMI-CONCEALED LIFT OFF HINGES	193
SEMI-CONCEALED METAL HINGES	194-195
SEMI-CONCEALED LIFT OFF HINGES	196
SEMI-CONCEALED HINGES- QUICK INSTALL	197



SCREW-ON HINGES

DESCRIPTION	To hinge panels
MATERIAL	Hinge leaves: Die-cast zinc Hinge pin and mounting pin: Mild steel
SURFACE	Hinge leaves: Black powder coated / chrome plated Hinge pin and mounting pin: Zinc plated

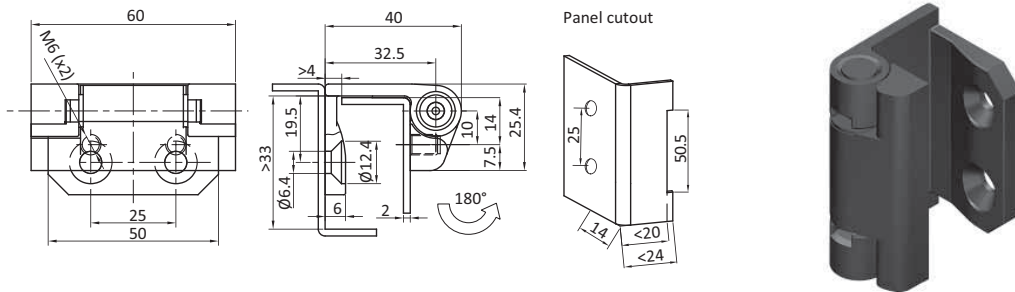


Offset [mm]	Black Powder Coated	Chrome Plated
13	0813388	0813389
19	0813390	0813391



SEMI-CONCEALED METAL HINGES

DESCRIPTION	To hinge panels
MATERIAL	Hinge leaves: Die-cast zinc Hinge pin: PA
SURFACE	Hinge leaves: Black powder coated



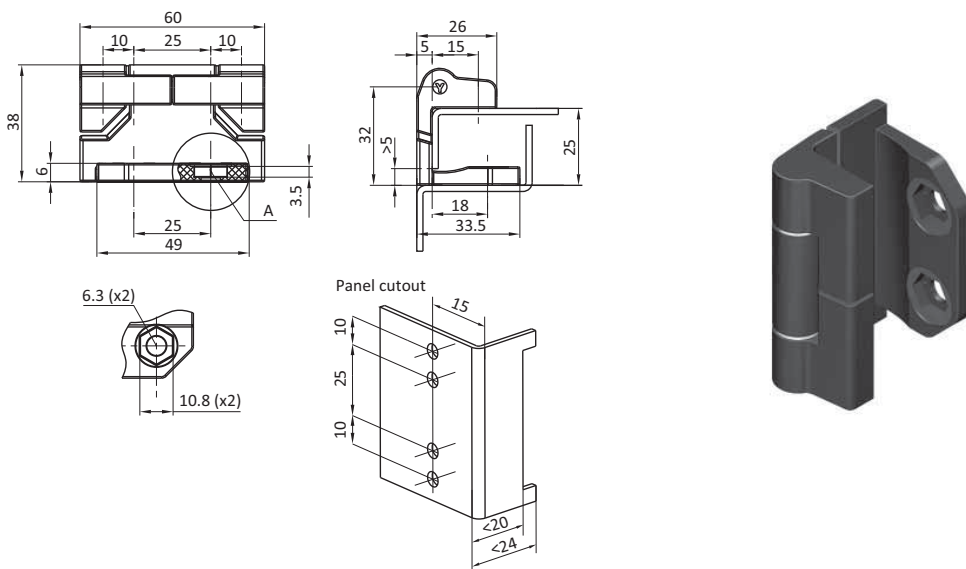
Semi-Concealed Metal Hinges

Part #

0830075

SEMI-CONCEALED METAL HINGES

DESCRIPTION	To hinge panels
MATERIAL	Hinge leaves: Die-cast zinc Hinge pin: Mild steel
SURFACE	Hinge leaves: Black powder coated Hinge pin: Zinc plated



Semi-Concealed Metal Hinges

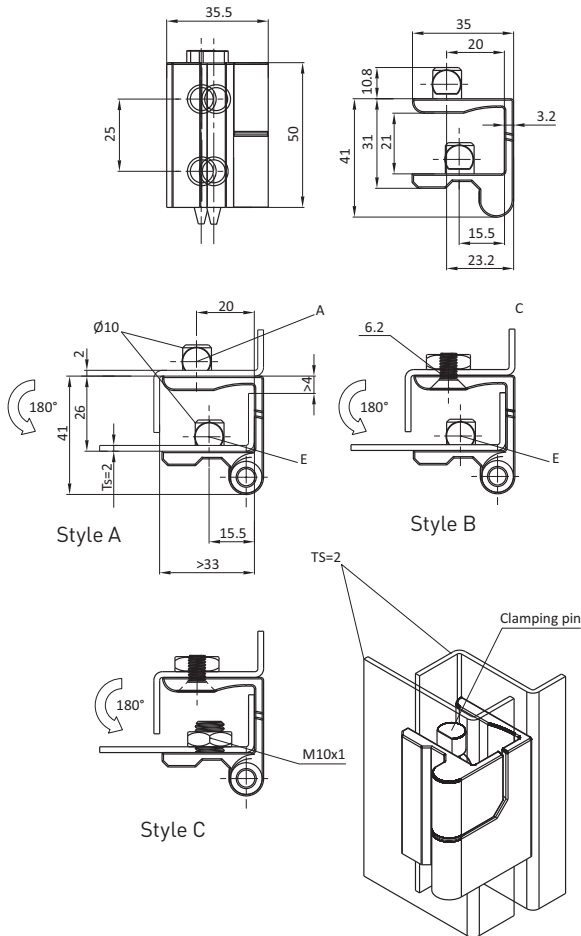
Part #

0830071

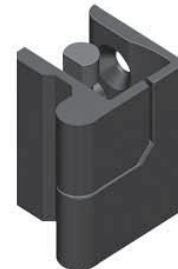


SEMI-CONCEALED METAL HINGES

DESCRIPTION	To hinge panels
MATERIAL	Hinge leaves: Die-cast zinc Hinge pin: Mild steel
SURFACE	Hinge leaves: Black powder coated Hinge pin: Zinc plated



Style A



Style B

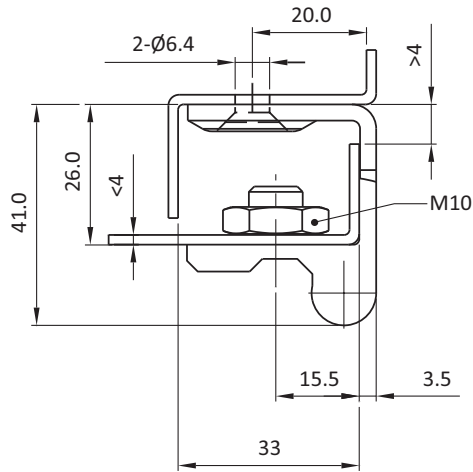
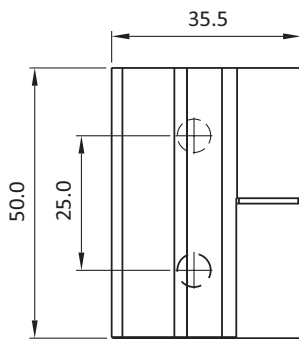


Style C

Style	Left	Right
A	0830169S01	0830069S01
B	0813378	0813379
C	0813380	0813381

SEMI-CONCEALED LIFT OFF HINGES

DESCRIPTION	To hinge panels and for easy panel removal
MATERIAL	316 SS



Semi-Concealed Lift off Hinges

Left

Right

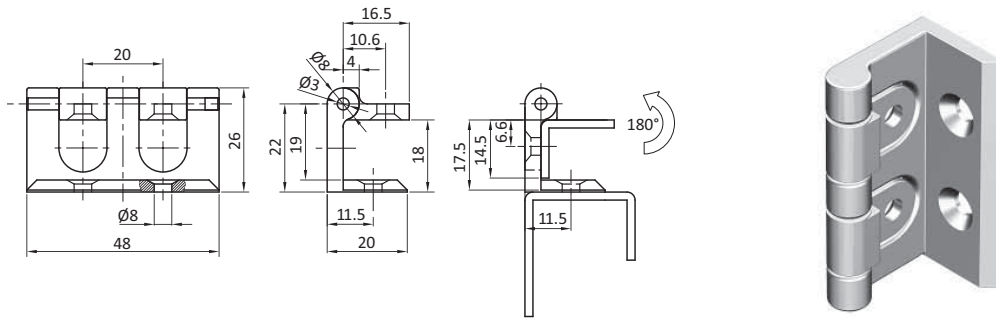
0813386

0813387



SEMI-CONCEALED METAL HINGES

DESCRIPTION	To hinge panels
MATERIAL	Hinge leaves: Die-cast zinc Hinge pin: Mild steel
SURFACE	Hinge leaves: Zinc plated Hinge pin: Zinc plated



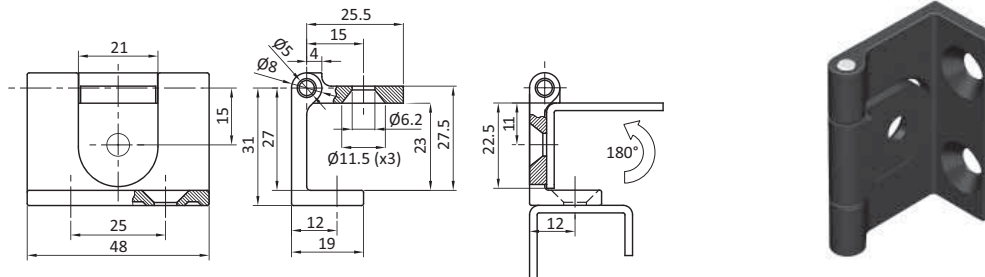
Semi-Concealed Metal Hinges

Part #

0830074

SEMI-CONCEALED METAL HINGES

DESCRIPTION	To hinge panels
MATERIAL	Hinge leaves: Die-cast zinc Hinge pin: Mild steel
SURFACE	Hinge leaves: Black Zinc plated Hinge pin: Zinc plated



Semi-Concealed Metal Hinges

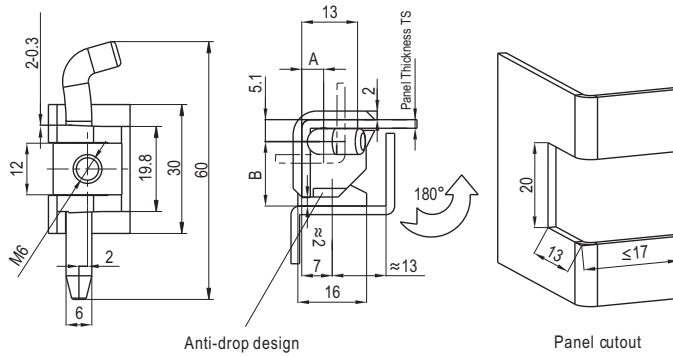
Part #

0830076



SEMI-CONCEALED METAL HINGES

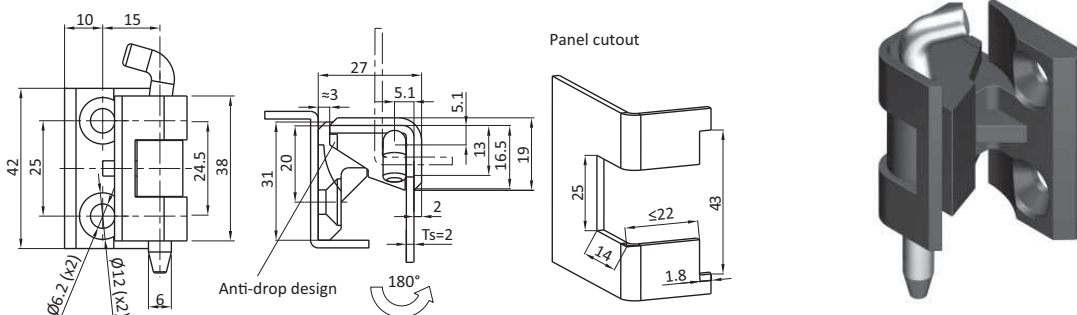
DESCRIPTION	To hinge panels and for easy panel removal
MATERIAL	Hinge leaves: Die-cast zinc Hinge pin: Mild steel
SURFACE	Hinge leaves: Black powder coated / chrome plated Hinge pin: Zinc plated



Panel thickness Ts [mm]	A	B	Black Powder Coated	Chrome Plated
1,5	4.6	15	0830059	0830061
2	5.1	15	0830060	0830062

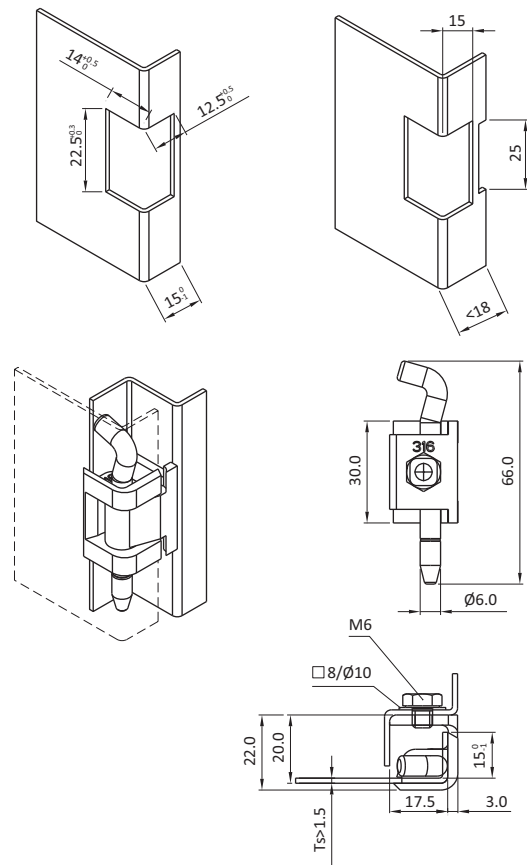
SEMI-CONCEALED METAL HINGES

DESCRIPTION	To hinge panels and for easy panel removal
MATERIAL	Hinge leaves: Die-cast zinc Hinge pin: Mild steel
SURFACE	Hinge leaves: Black powder coated / chrome plated Hinge pin: Zinc plated



Panel thickness Ts [mm]	Black Powder Coated	Chrome Plated
1,5	0830063	0830065
2	0830064	0830066

SEMI-CONCEALED LIFT OFF HINGES

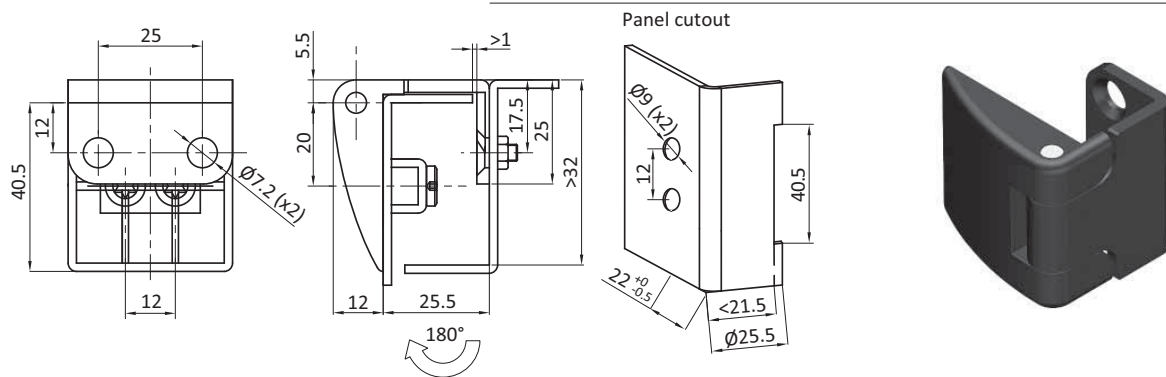


DESCRIPTION	To hinge panels and for easy panel removal
MATERIAL	316 SS



Panel thickness Ts [mm]	316 SS
1,5	0813384
2	0813385

DESCRIPTION	To hinge panels
MATERIAL	Hinge leaf: Die-cast zinc Hinge pin and mounting pin: Mild steel
SURFACE	Hinge leaf: Black powder coated / turquoise powder coated Hinge pin and mounting pin: Zinc plated

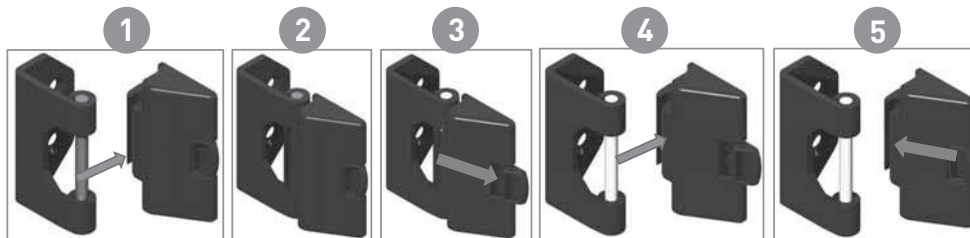
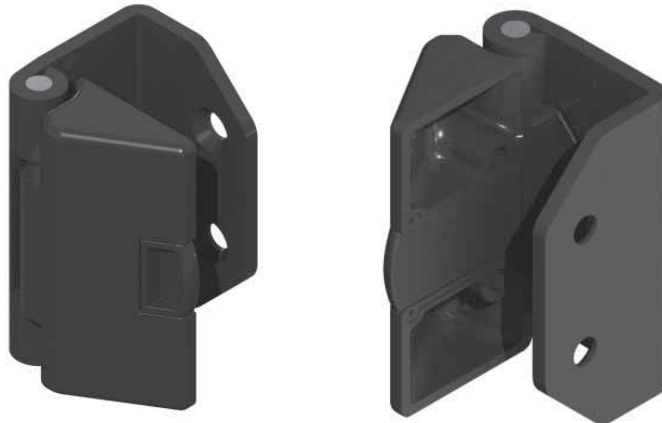
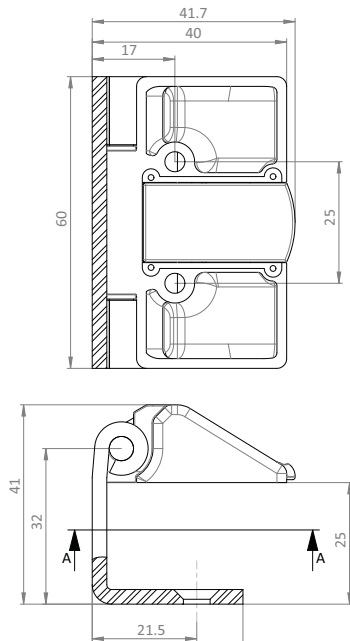


Semi-Concealed Lift off Hinges	Black Powder Coated	Turquoise Powder Coated
	0813382	0813383

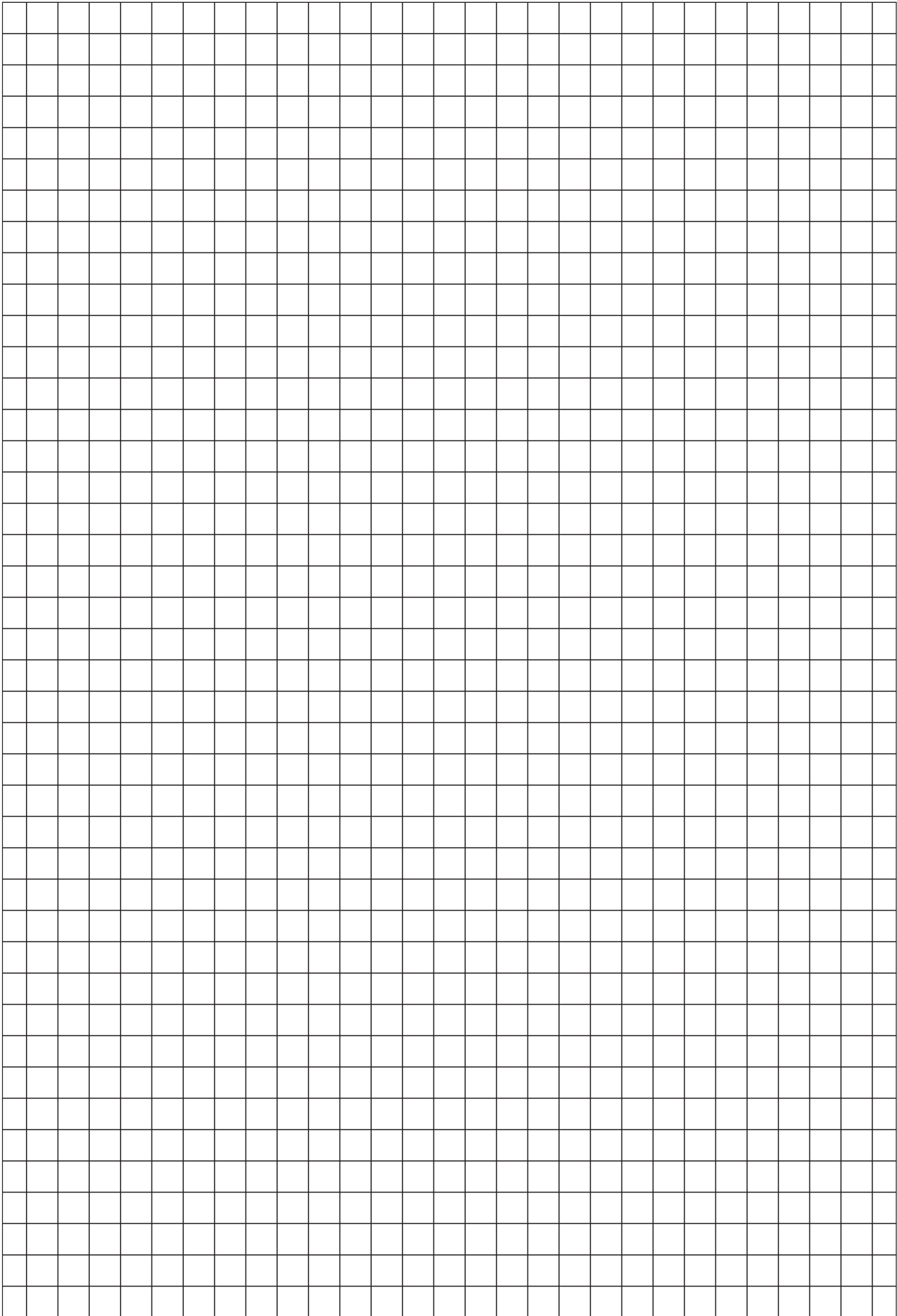


SEMI-CONCEALED HINGES- QUICK INSTALL

DESCRIPTION	To hinge panels
MATERIAL	Frame Hinge Leaf: Mild steel Door Hinge Leaf: Die cast zinc Hinge pin and mounting pin: Mild steel
SURFACE	Hinge leaves: Black powder coated Hinge pin and mounting pin: Zinc plated



- STEP1: Install door hinge leaf to door (left part). Install frame hinge leaf to frame (right part).
- STEP2: Push hinge together until a "Click" sound is heard. The door is now attached.
- STEP3: To remove the door slide the slam bolt actuator away from the hinge pin until it becomes locked in place by a ball detent. Repeat for all hinges.
- STEP4: Simply lift off door
- STEP5: To reinstall the door lightly slide the slam bolt actuator back toward the hinge pin.



INDUSTRIAL HARDWARE

CHAPTER 8: **CONCEALED HINGES**

QTL

COL

SLA

SWH

ASH

SFH

SCH

COH

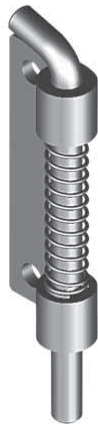
ACC

GSK

HAN

HVA

CST

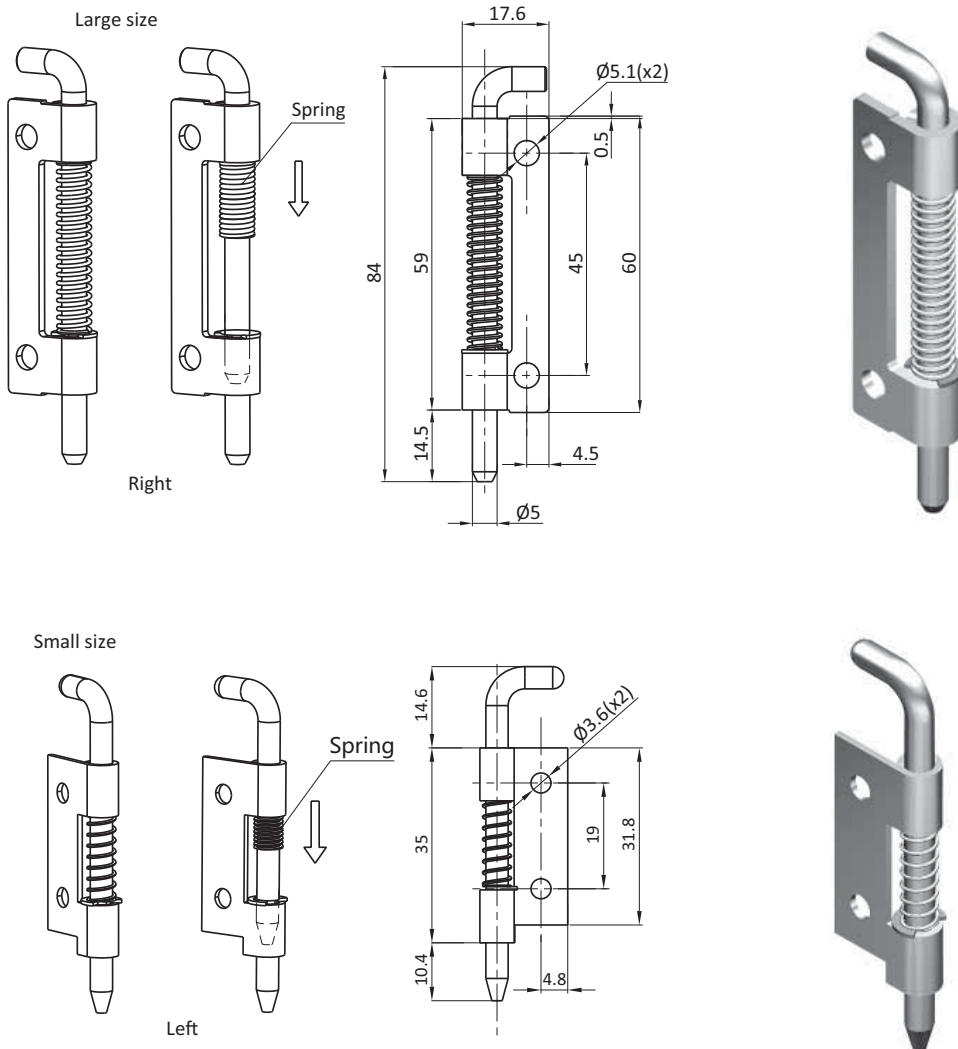


SPRING LOADED CONCEALED HINGES	200-201
CONCEALED HINGES	202-203
LATCHING / CONCEALED HINGES	204
CONCEALED HINGES	205-210
WELD ON HINGES	211

200-201
202-203
204
205-210
211

SPRING LOADED CONCEALED HINGES

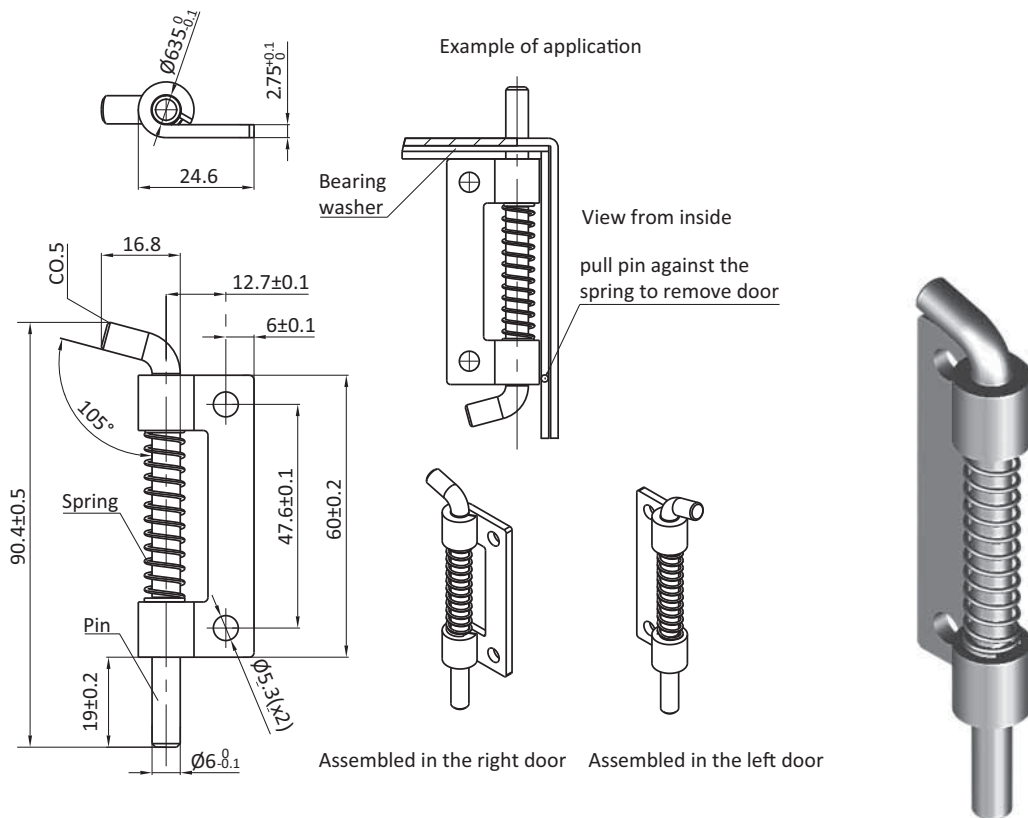
DESCRIPTION	To hinge panels
MATERIAL	Mild steel
SURFACE	Zinc plated
SPECIALS	Lift off Right and left Stainless Steel on request



Spring Loaded Concealed Hinges	Size	Left	Right
Screw on version	Large Size	0840013	0813392
	Small Size	0840014	0813394
Weld on version	Large Size	0840015	0813393
	Small Size	0840016	0813395

SPRING LOADED CONCEALED HINGES

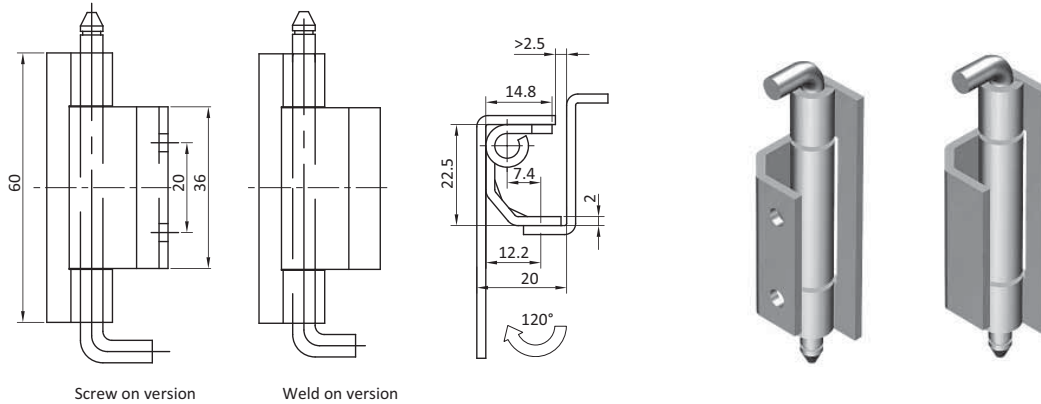
DESCRIPTION	To hinge panels
MATERIAL	Mild steel / Stainless steel 304
SURFACE	Zinc plated
SPECIALS	Right and left Lift off



Spring loaded concealed hinges	Screw On	304 SS	Mild steel
left		0813406	0840053
right		0813407	0840054

CONCEALED HINGES

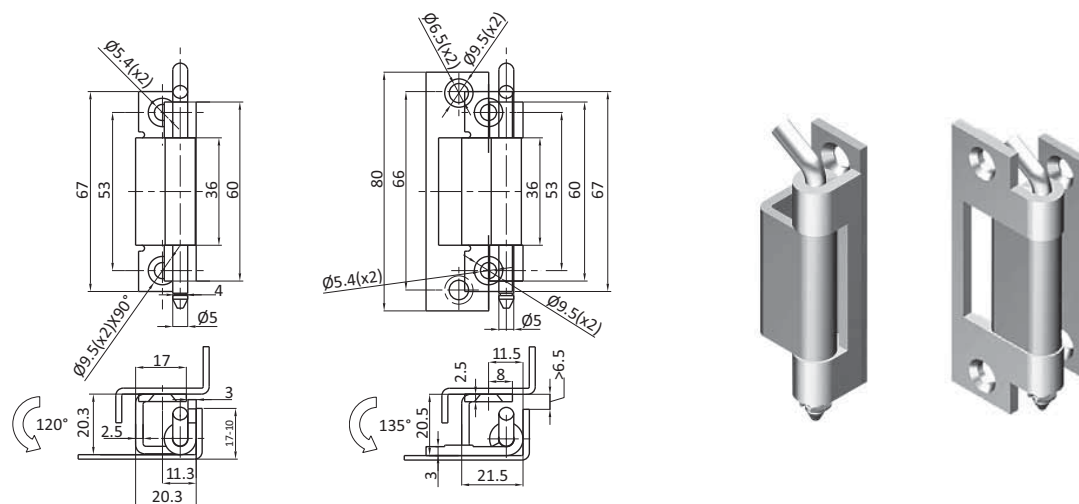
DESCRIPTION	To hinge panels
MATERIAL	Mild steel / Stainless steel 304
SURFACE	Zinc plated
SPECIALS	Right and left Lift off



Concealed Hinges	304 SS	Mild steel
Screw on	0840038	0840040
Weld on	0840039	0840041

CONCEALED HINGES

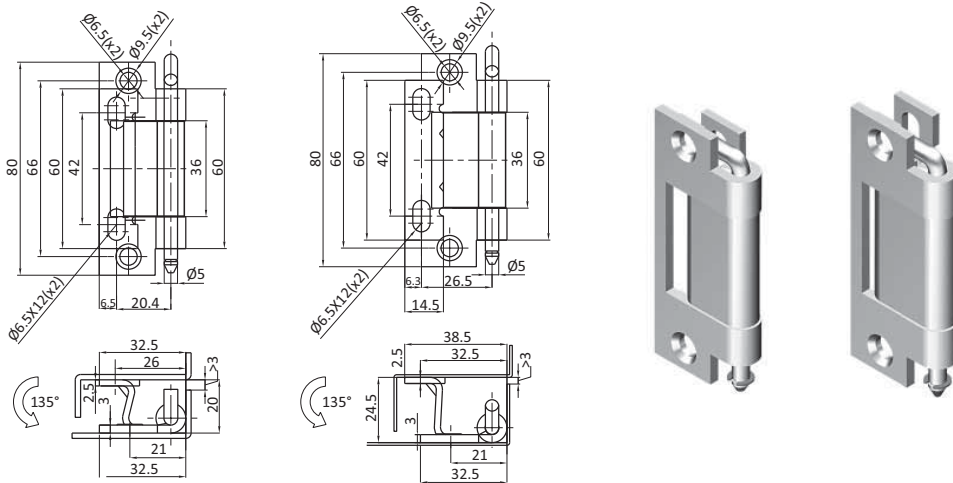
DESCRIPTION	To hinge panels
MATERIAL	Mild steel / Stainless steel 304
SURFACE	Zinc plated
SPECIALS	Right and left Lift off



Concealed Hinges	304 SS	Mild steel
20.3	0840023	0840025
21.5	0840024	0840026

CONCEALED HINGES

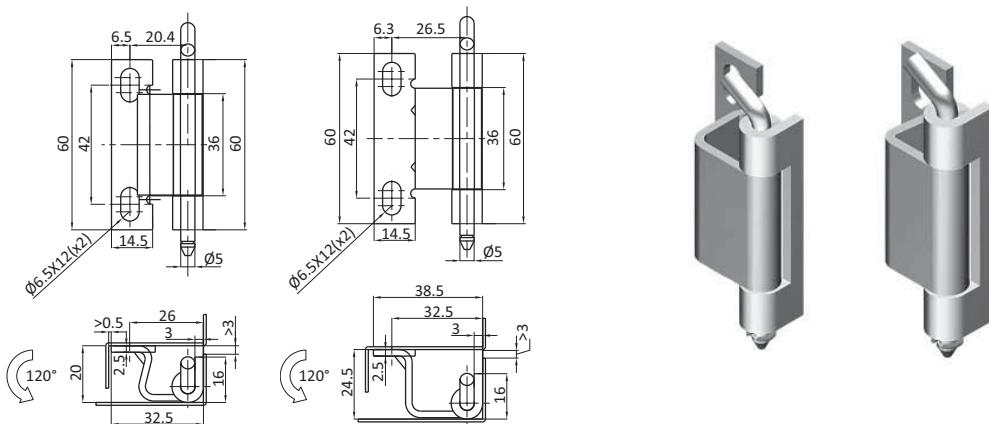
DESCRIPTION	To hinge panels
MATERIAL	Mild steel / Stainless steel 304
SURFACE	Zinc plated
SPECIALS	Right and left Lift off



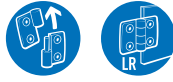
Concealed Hinges	304 SS	Mild steel
Dim 20.0	0840027	0840029
Dim 24.5	0840028	0840030

CONCEALED HINGES

DESCRIPTION	To hinge panels
MATERIAL	Mild steel / Stainless steel 304
SURFACE	Zinc plated
SPECIALS	Right and left Lift off Weld on version

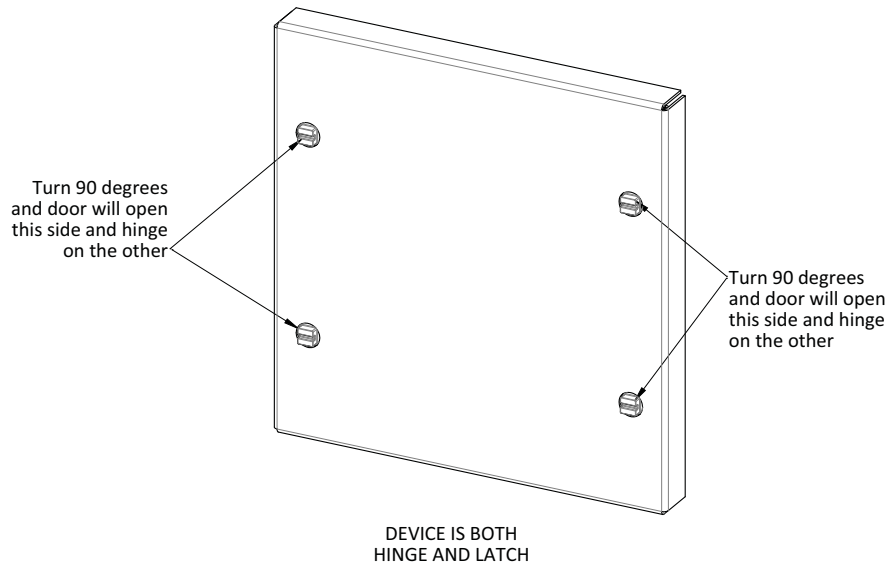
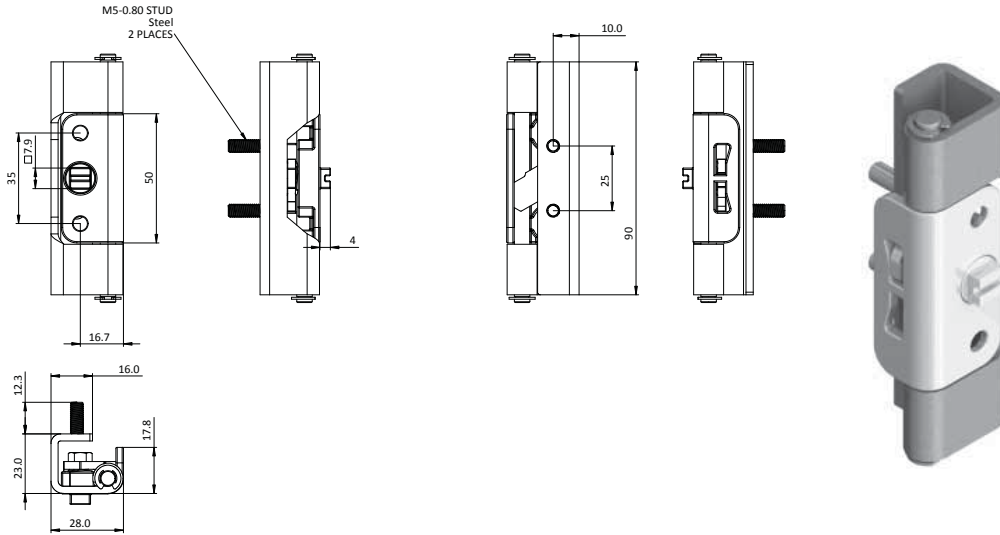


Concealed Hinges	304 SS	Mild steel
Dim 20.0	0840019	0840021
Dim 24.5	0840020	0840022



LATCHING / CONCEALED HINGES

DESCRIPTION	To hinge panels
MATERIAL	Frame component: Mild Steel Door component: Die-cast zinc Hinge pin: Mild steel
SURFACE	Hinge leaves: Zinc Plated Hinge pin: Zinc plated
SPECIALS	Right and left



Concealed Hinges

Part Number

Left

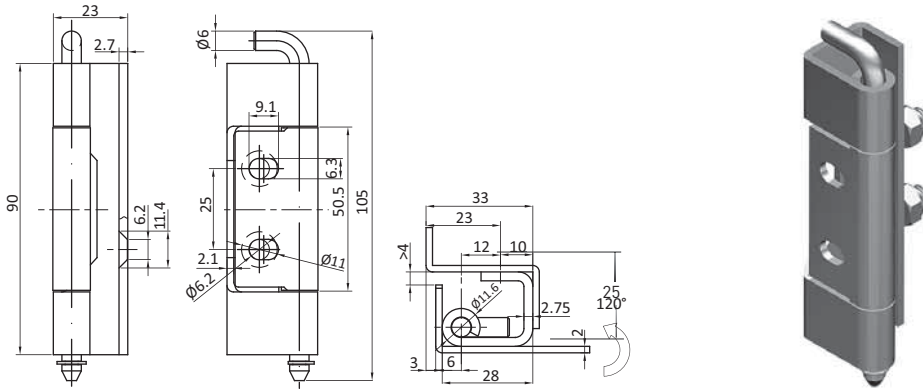
0830199L

Right

0830199R

CONCEALED HINGES

DESCRIPTION	To hinge panels
MATERIAL	Mild steel / Stainless steel 304
SURFACE	Zinc plated
SPECIALS	Right and left Lift off



Concealed Hinges

304 SS

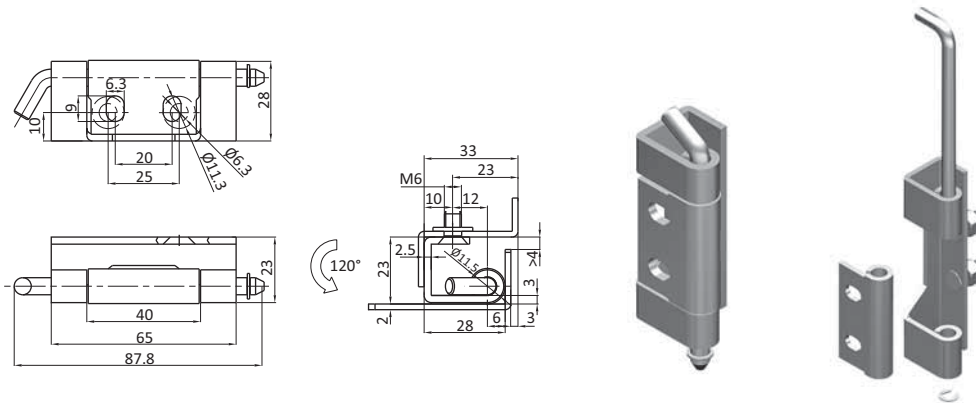
Mild steel

0840031

0840032

CONCEALED HINGES

DESCRIPTION	To hinge panels
MATERIAL	Mild steel / Stainless steel 304
SURFACE	Zinc plated
SPECIALS	Right and left Lift off



Concealed Hinges

304 SS

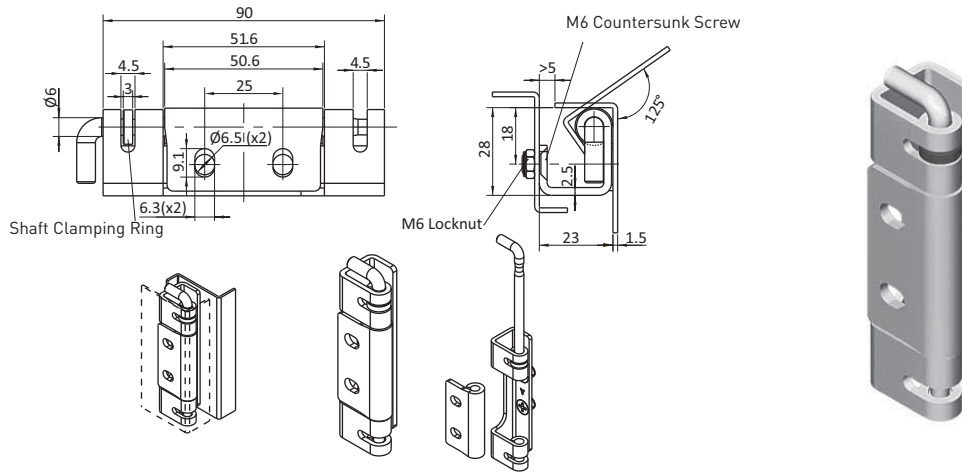
Mild steel

0813396

0813397

CONCEALED HINGES

DESCRIPTION	To hinge panels
MATERIAL	Mild steel / Stainless steel 304
SURFACE	Zinc plated



Concealed Hinges

304 SS

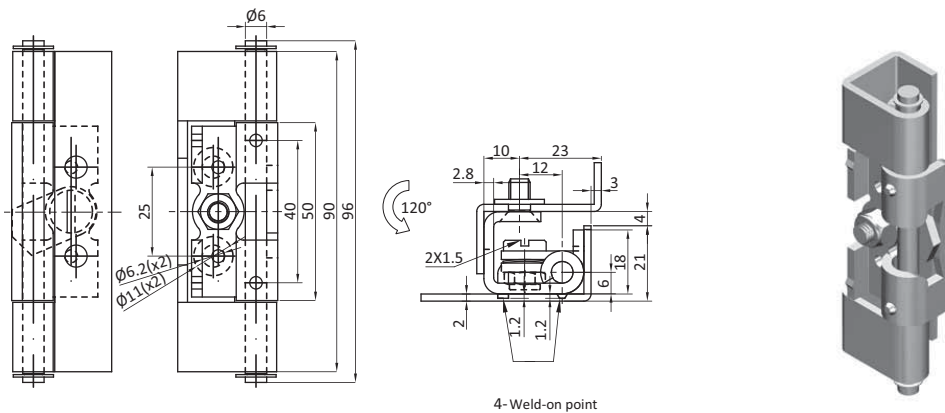
Mild steel

0813398

0840063

CONCEALED HINGES

DESCRIPTION	To hinge panels
MATERIAL	Mild steel / Stainless steel 304
SURFACE	Zinc plated
SPECIALS	Right and left Lift off



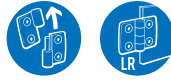
Concealed Hinges

304 SS

Mild steel

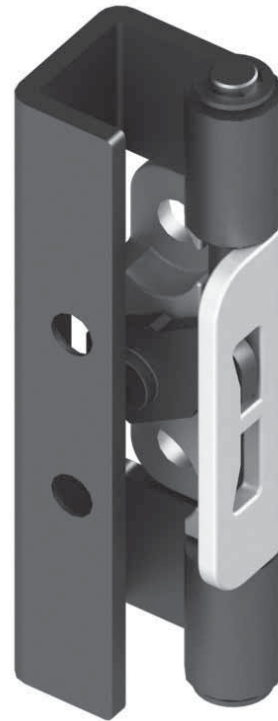
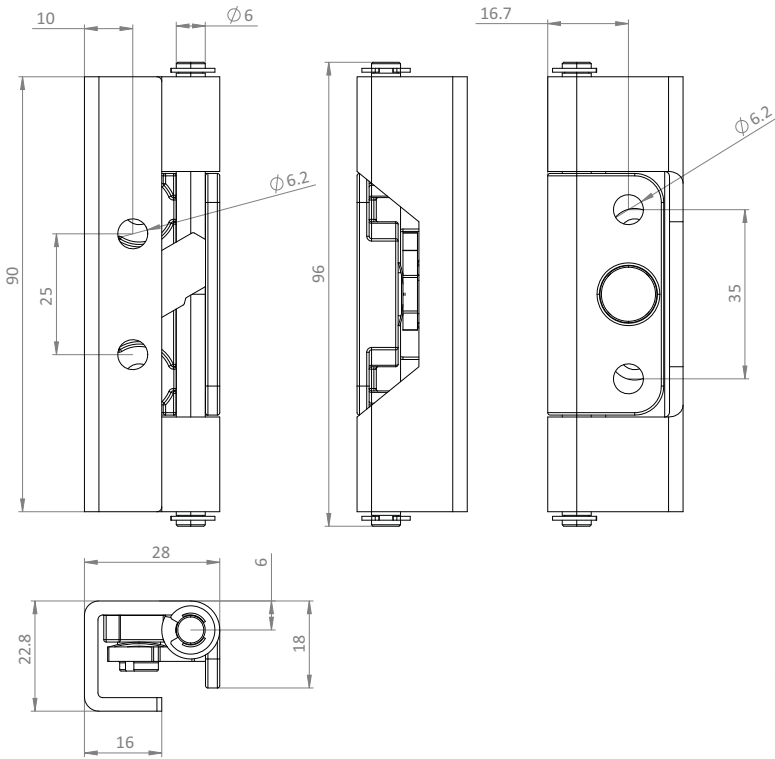
0840050

0840051



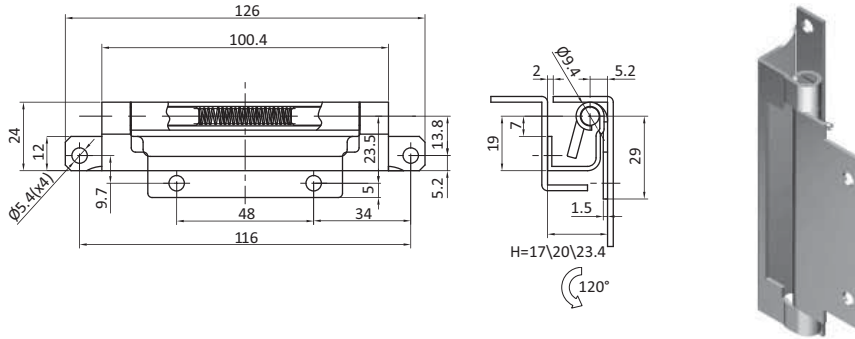
CONCEALED HINGES

DESCRIPTION	To hinge panels and doors
MATERIAL	Mild steel / Stainless steel 304 / Die cast zinc
SURFACE	Zinc Nickel



CONCEALED HINGES

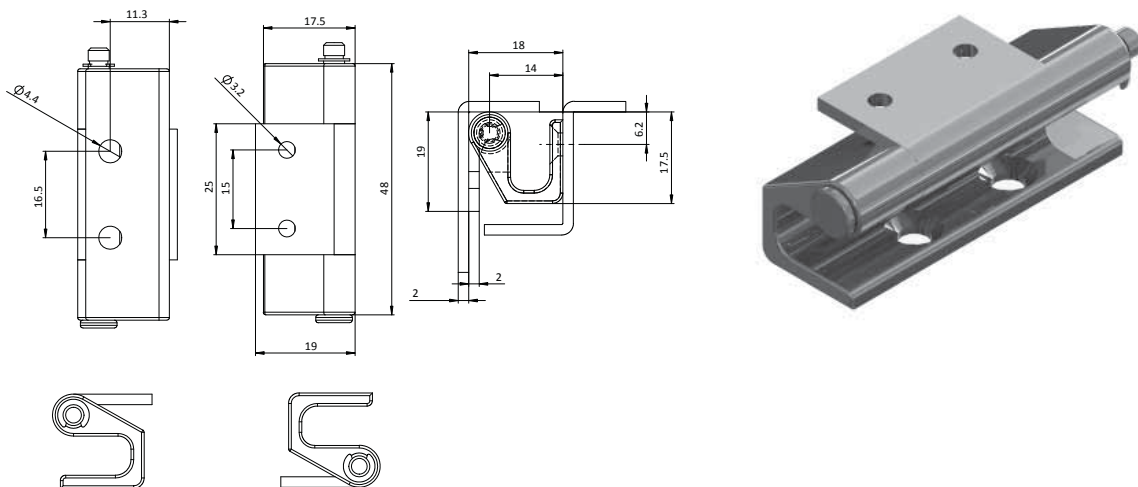
DESCRIPTION	To hinge panels
MATERIAL	Mild steel / Stainless steel 304
SURFACE	Zinc plated
SPECIALS	Right and left Lift off



Concealed Hinges	304 SS	Mild steel
17	0840033	0840035
20	0840003	0840036
23.4	0840034	0840037

CONCEALED HINGE

DESCRIPTION	To hinge panels
MATERIAL	Hinge leaves: Die-cast zinc Hinge pin: Mild steel
SURFACE	Hinge leaves: Bright Chrome Plate Hinge pin: Zinc plated
SPECIALS	Right and left

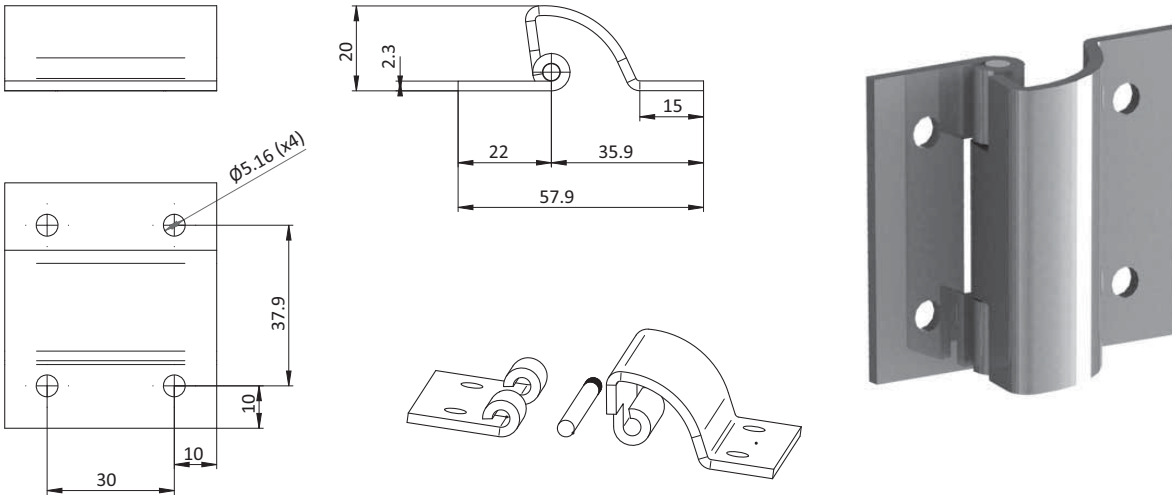


Concealed Hinge	Part #
	0840011501



CONCEALED HINGES

DESCRIPTION	To hinge panels
MATERIAL	Mild steel
SURFACE	Zinc plated
SPECIALS	Right and left

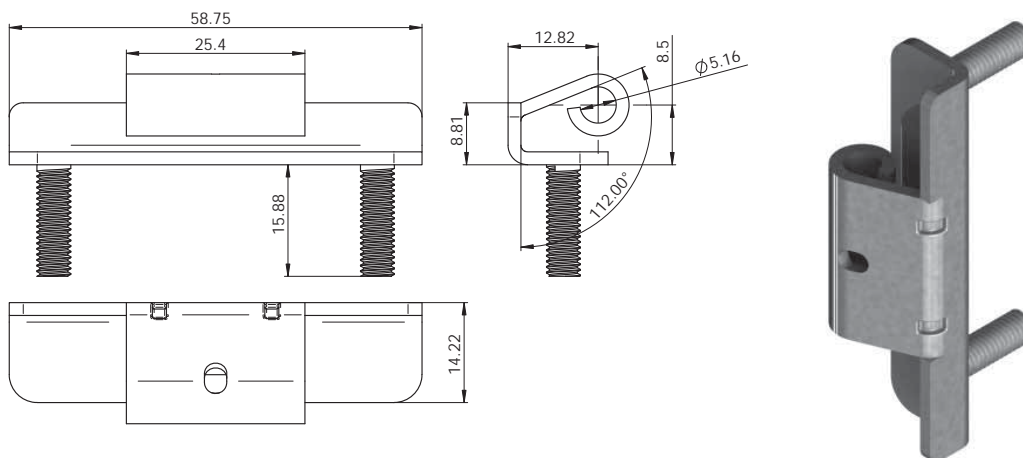


Concealed Hinge

Part #

0840056

DESCRIPTION	To hinge panels
MATERIAL	Mild steel
SURFACE	Zinc plated
SPECIALS	Right and left



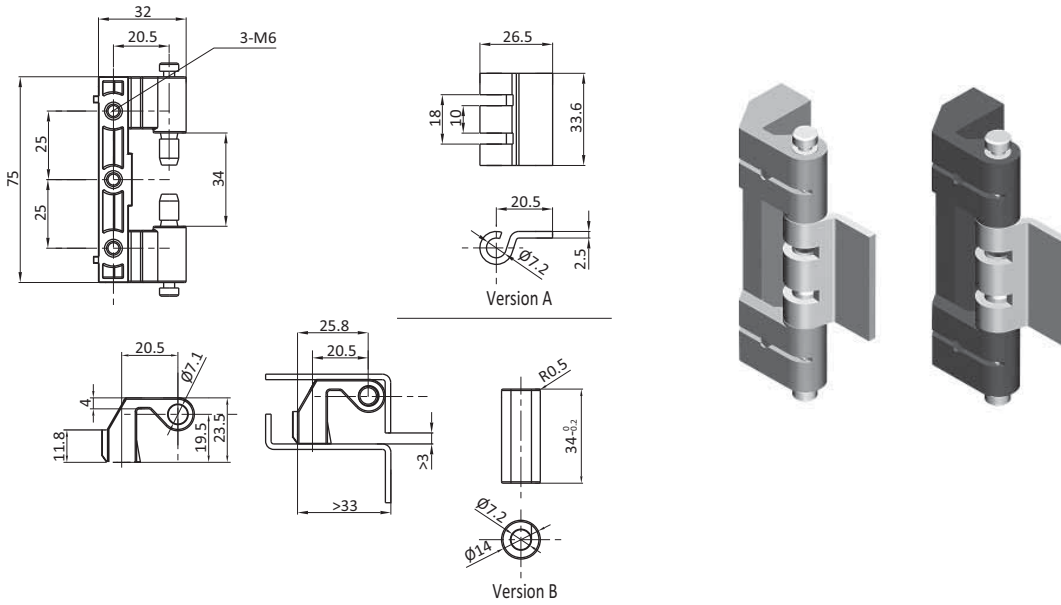
Concealed Hinge

Part #

0840059

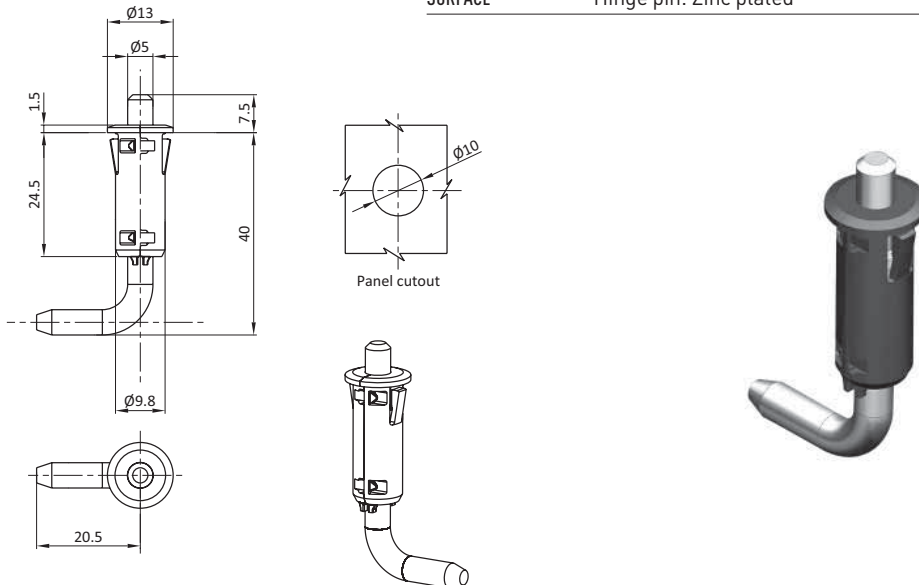
CONCEALED HINGES

DESCRIPTION	To hinge panels
MATERIAL	Die cast zinc
SURFACE	Black powder coated / Sand blasted
SPECIALS	Right and left Lift off



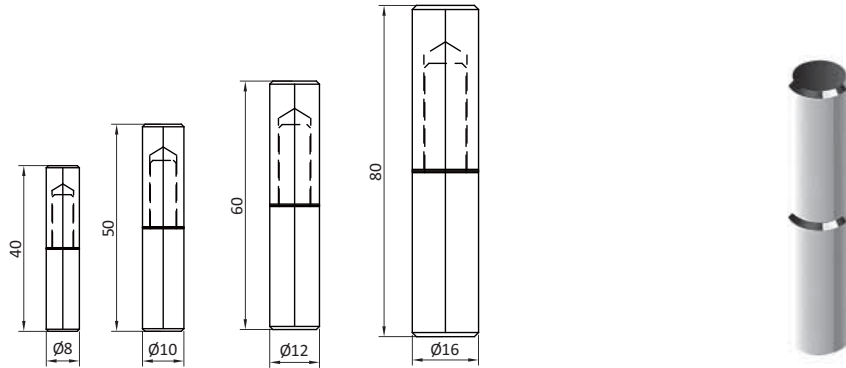
CONCEALED HINGE

DESCRIPTION	To hinge panels
MATERIAL	Hinge housing: Nylon PA, glass fiber reinforced Hinge pin: Mild steel
SURFACE	Hinge pin: Zinc plated



WELD ON HINGES

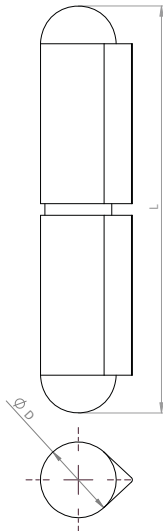
DESCRIPTION	To hinge panels
MATERIAL	Mild steel / 304 SS
SURFACE	Zinc plated
SPECIALS	Right and left Lift off



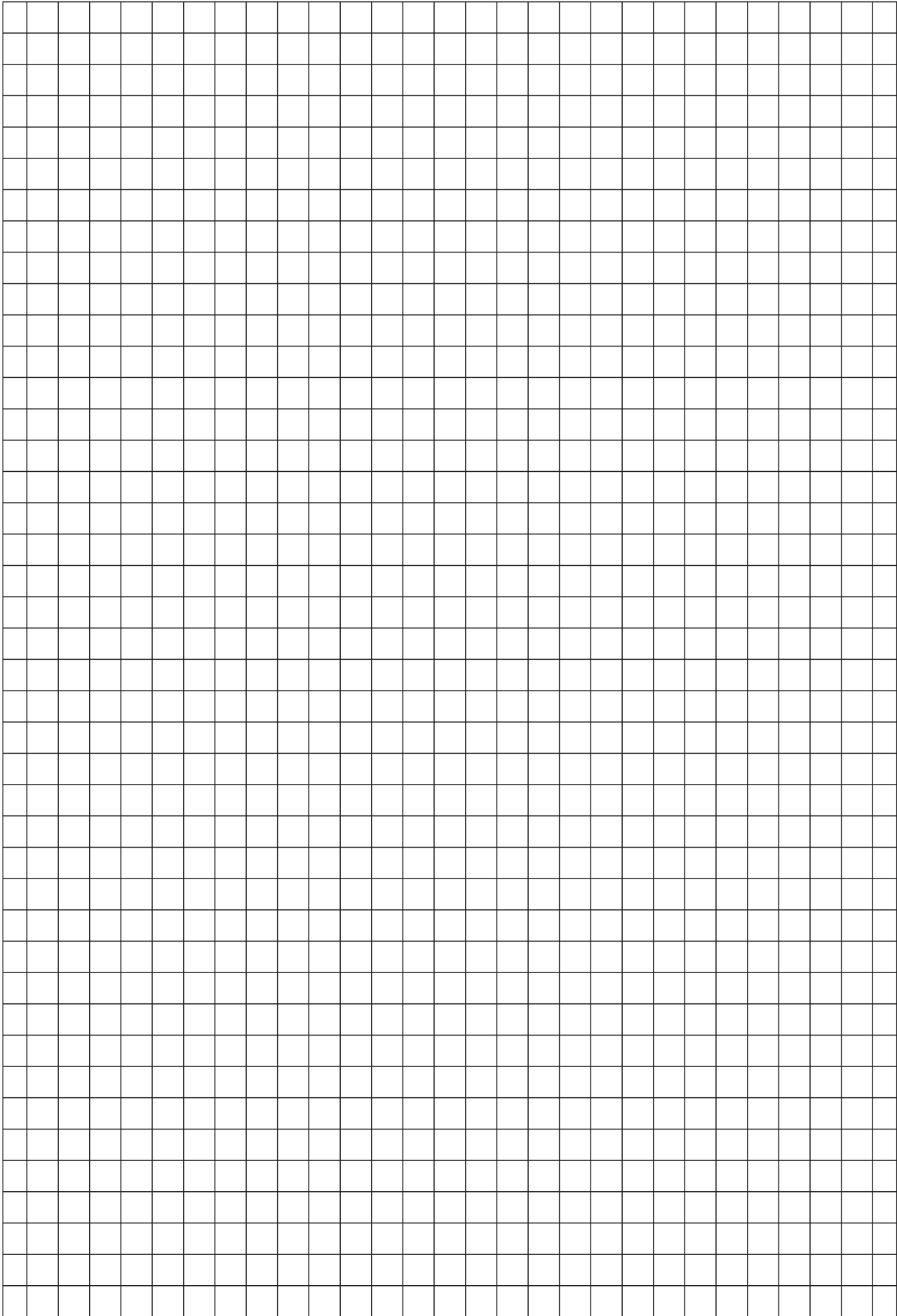
Weld On Hinges	304 SS	Mild steel
40	0840042	0840043
50	0840044	0840045
60	0840046	0840047
80	0840048	0840049

WELD ON HINGES

DESCRIPTION	To hinge panels
MATERIAL	304 SS
SURFACE	
SPECIALS	Right and left Lift off



Dimension L	Dimension D	Part Number
40mm	8mm	0840064
70mm	13mm	0840064S01



INDUSTRIAL HARDWARE

CHAPTER 9: **ACCESSORIES**

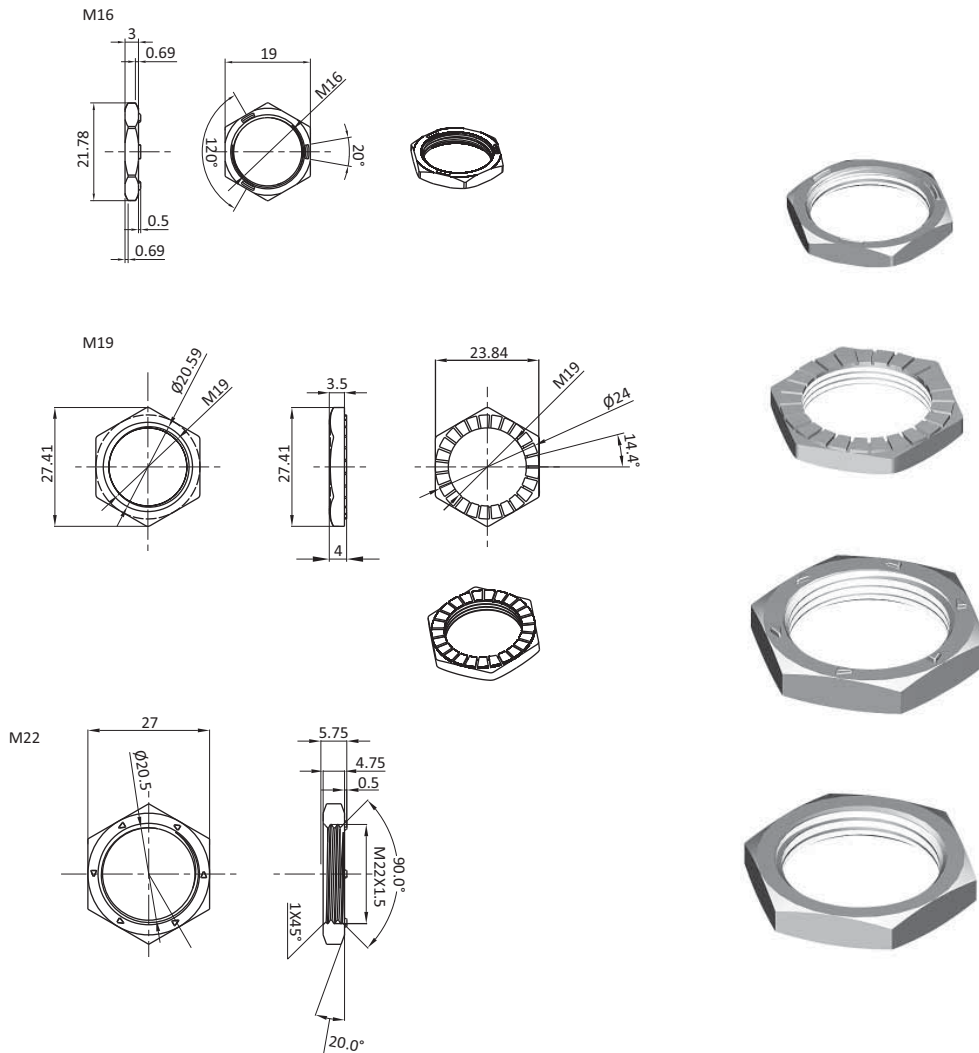


LOCK NUTS	214
FINGER PULL / COVER	215
SCREWS	216
STANDARD QUARTER TURN CAMS	217
FOUR / THREE POINT CAM ADAPTERS	218
CUSTOM QUARTER TURN CAMS - STYLE B	219
UNIQUE MULTIPOINT QUARTER TURN CAMS	220-221
SINGLE POINT ROLLER CAM	222
ADJUSTABLE ROLLER CAM	223
HOOK CAM QUARTER TURN	224
SMALL QUARTER TURN CAMS	225
SLAM CAMS	225
KEYS	226
PADLOCK DEVICE	227
QUARTER TURN MOUNTING SPRING CLIP	228
EYE BOLTS	228
MAGNETIC CATCH 20	229
BALL CATCH	230
DOUBLE BALL CATCH MS	231
MAGNETIC CATCH 40	231
CLIP CABLE BINDER	232
UNIVERSAL CABLE BINDING BLOCKS	233
SAFETY STRAP	234
ANTI-LOSS WASHER	235
MONITOR ARM 4 AXIS	236
MONITOR ARM 5 AXIS	237
DOCUMENT POCKET	238
LEVELING FEET	239-241



LOCK NUTS

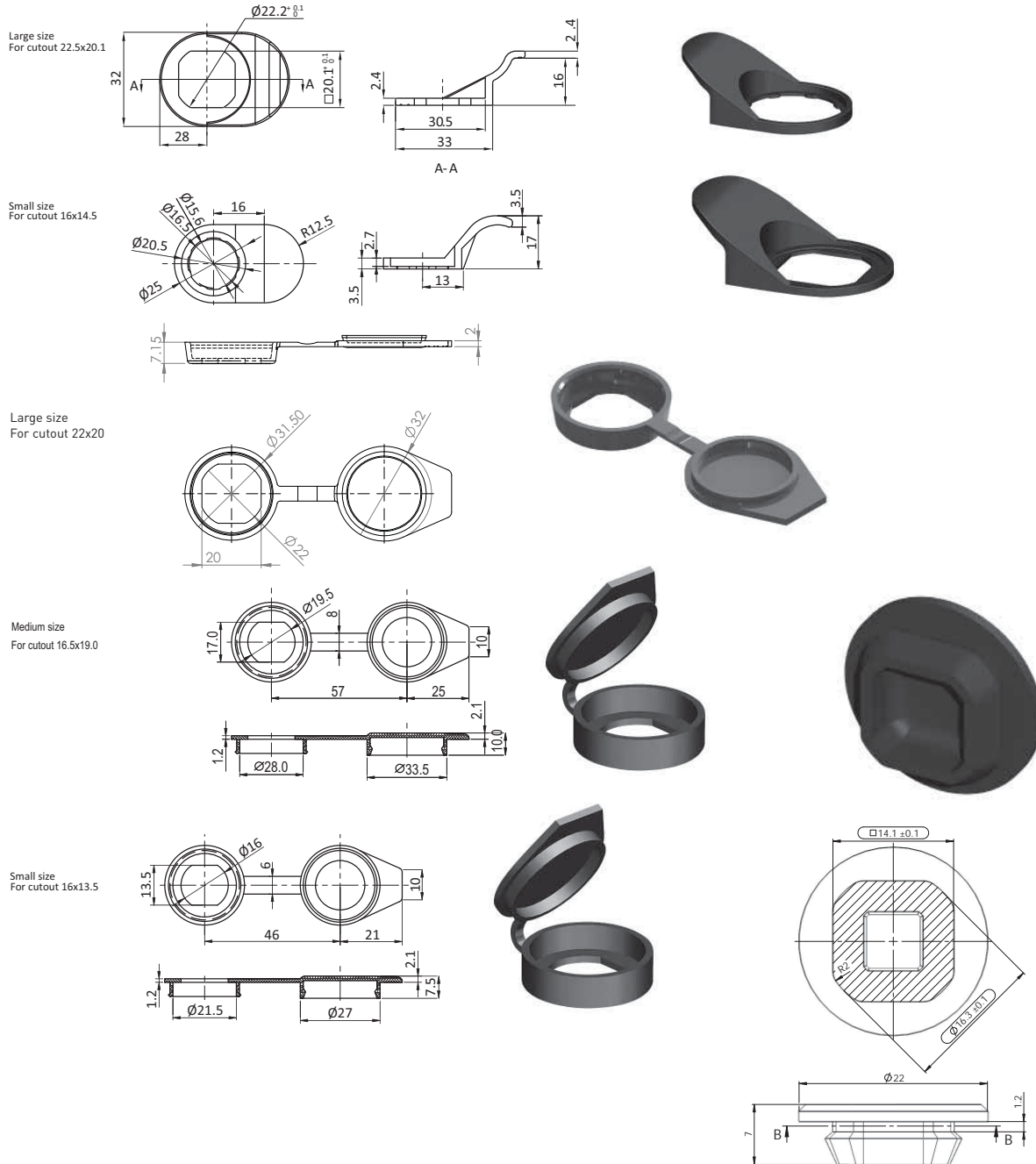
DESCRIPTION	To attach 1/4 turn locks
MATERIAL	Die cast zinc Brass Stainless steel
PACK QUANTITY	10 pieces



Lock Nuts	Version	Die-cast Zinc	Solid Brass	Stainless Steel
M16			0813412	
M19		0813408	0813413	
M22 x 1.5	Grounding teeth	0890058		
	No ground	0813410		0890059
	Serrated ground	0813411		

FINGER PULL / COVER

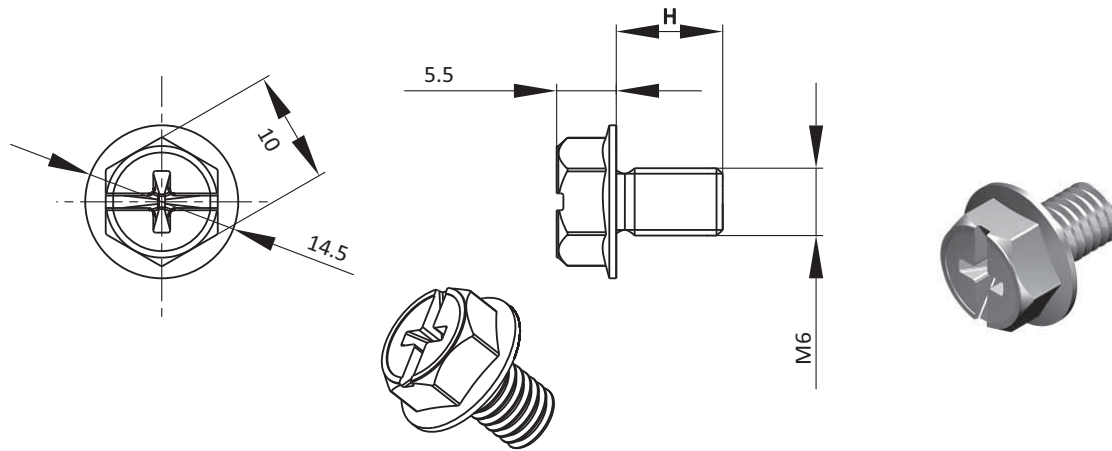
DESCRIPTION	Accessory for 1/4 turn locks
MATERIAL	PA
COLOR	Black



	Large size	Medium size	Small size
Finger Pull	0890034		0890035
Cover		0890037S01	0890037
Plug			0850289

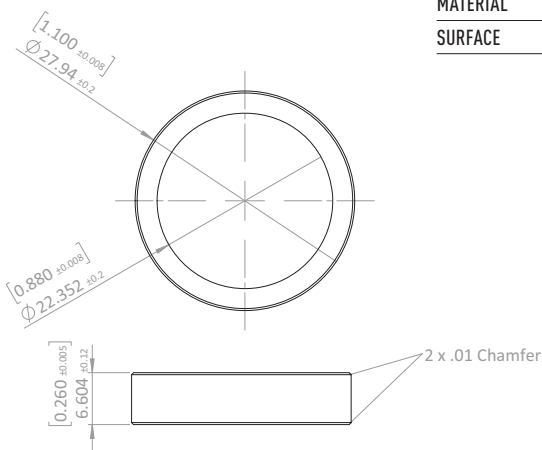
SCREWS

DESCRIPTION	Hardware
MATERIAL	Mild steel
SURFACE	Zinc plated



Screw	Size	Small size
	M5 x 6	0813415
	M5 x 8	0813417
	M5 x 10	0813419
	M5 x 12	0813421
	M5 x 16	0813423
	M5 x 18	0813425
	M6 x 6	0813416
	M6 x 8	0813418
	M6 x 10	0813420
	M6 x 12	0813422
	M6 x 16	0813424
	M6 x 18	0813426

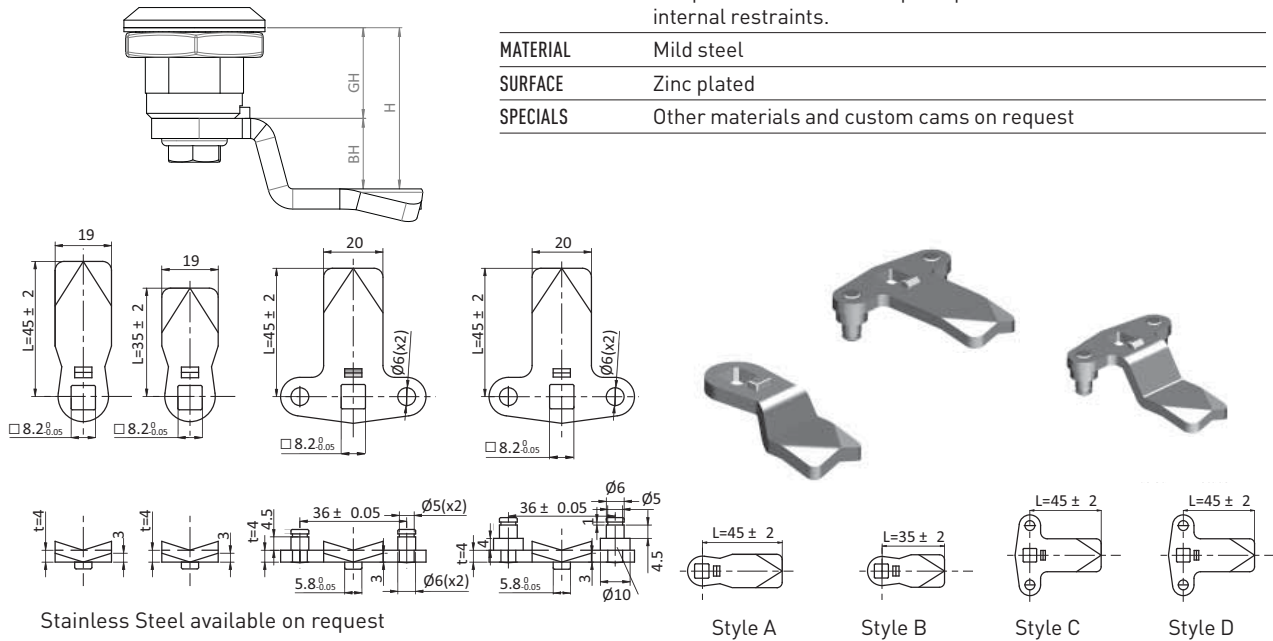
DESCRIPTION	Hardware
MATERIAL	Mild steel
SURFACE	Black Powder



Description	Part #
1/4 Turn Spacer	0814569

STANDARD QUARTER TURN CAMS

DESCRIPTION	Standard cams for standard quarter turns. Contains 3mm ramps. Cam contains a stop for quarter turns that do not have internal restraints.
MATERIAL	Mild steel
SURFACE	Zinc plated
SPECIALS	Other materials and custom cams on request

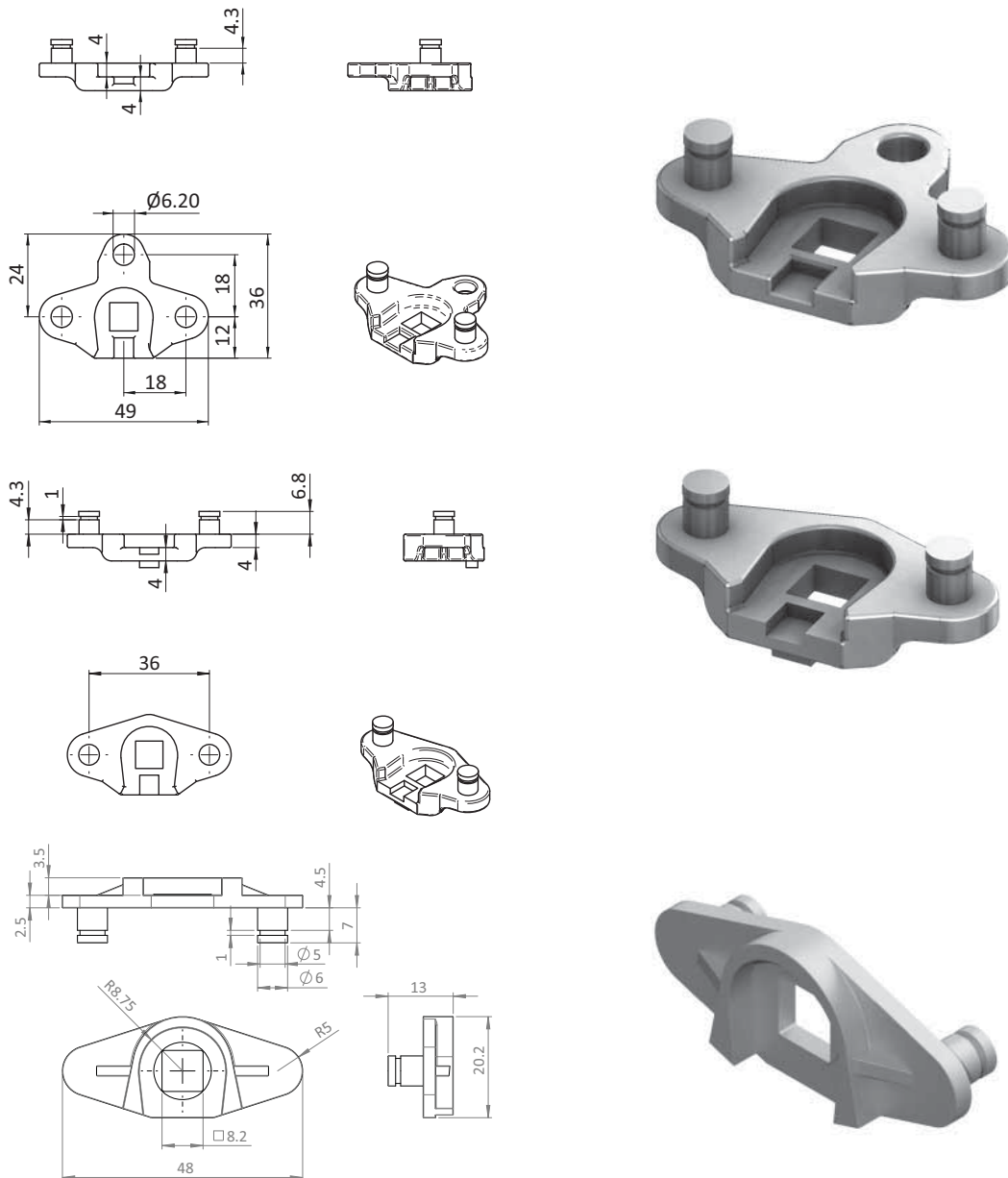


	BH	GH = 18 Standard	GH = 30	GH = 36	GH = 40	GH = 50	GH = 60	Style A	Style B	Style C	Style D
H = GH + BH	-16	2	14	20	24	34	44	0810247			
	-14	4	16	22	26	36	46	0810248		0810295	0810321
	-12	6	18	24	28	38	48	0810249	0810276	0810296	0810322
	-10	8	20	26	30	40	50	0810250	0810277	0810297	0810323
	-8	10	22	28	32	42	52	0810251	0810278	0810298	0810324
	-5	13	25	31	35	45	55	0810252	0810279	0810299	0810325
	-4	14	26	32	36	46	56	0810253	0810280	0810300	0810326
	-2	16	28	34	38	48	58	0810254	0810281	0810301	0810327
	0	18	30	36	40	50	60	0810255	0810282	0810302	0810328
	2	20	32	38	42	52	62	0810256	0810283	0810303	0810329
	4	22	34	40	44	54	64	0810257	0810284	0810304	0810330
	6	24	36	42	46	56	66	0810258	0810285	0810305	0810331
	7	25	37	43	47	57	67	0810259	0810286	0810306	0810332
	8	26	38	44	48	58	68	0810260	0810287	0810307	0810333
	10	28	40	46	50	60	70	0810261	0810288	0810308	0810334
	12	30	42	48	52	62	72	0810262	0810289	0810309	0810335
	14	32	44	50	54	64	74	0810263		0810310	0810336
	16	34	46	52	56	66	76	0810264		0810311	0810337
	17	35	47	53	57	67	77	0810265	0810290	0810312	0810338
	18	36	48	54	58	68	78	0810266		0810313	0810339
	20	38	50	56	60	70	80	0810267	0810291	0810314	0810340
	22	40	52	58	62	72	82	0810268	0810292	0810315	0810341
	24	42	54	60	64	74	84	0810269	0810293	0810316	0810342
	26	44	56	62	66	76	86	0810270	0810294	0810317	0810343
	27	45	57	63	67	77	87	0810271		0810318	0810344
	29	47	59	65	69	79	89	0810272		0810319	0810345
	32	50	62	68	72	82	92	0810273		0810320	0810346
	35	53	65	71	75	85	95	0810274			
	37	55	67	73	77	87	97	0810275			

FOUR / THREE POINT CAM ADAPTERS

DESCRIPTION	For quicker assembly of quarter turns replaces the need for quarter turn mounting nuts
MATERIAL	Die cast zinc
SURFACE	Zinc plated

Use adapters with Cam styles A and B



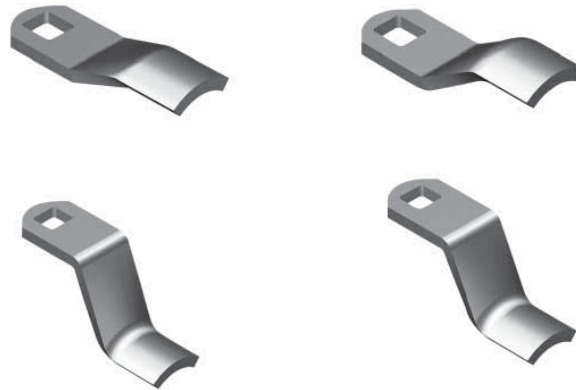
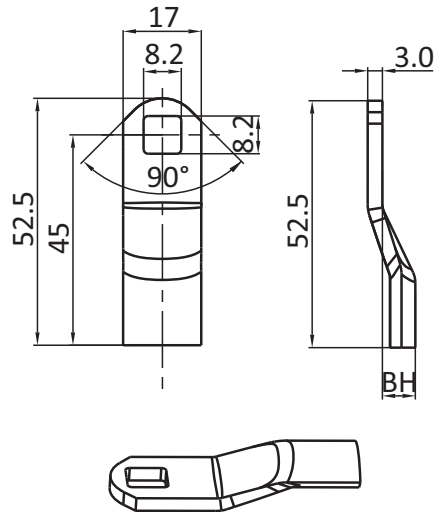
Four / Three Point Cam

Part #

Four point cam adapter	0810526
Three point cam adapter	0810527
Three point cam adapter with reverse side cam mounting	0810527501

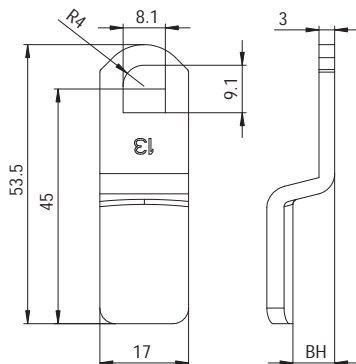
CUSTOM QUARTER TURN CAMS – STYLE B

DESCRIPTION	Locks and unlocks both quarter turns and swing handles
MATERIAL	Mild steel
SURFACE	Zinc plated



Custom Quarter Turn Cams	Total grip	Cam offset	Max. outer door Ts for assembled latch	Part #
	15	18	Must use unassembled latch	0810688
	17	16	Must use unassembled latch	0810689
	19	14	1	0810690
	21	12	2	0810691
	23	10	4	0810692
	25	8	5	0810693
	27	6	6	0810694
	29	4	7	0810695
	31	2	7	0810696
	33	0	7	0810697

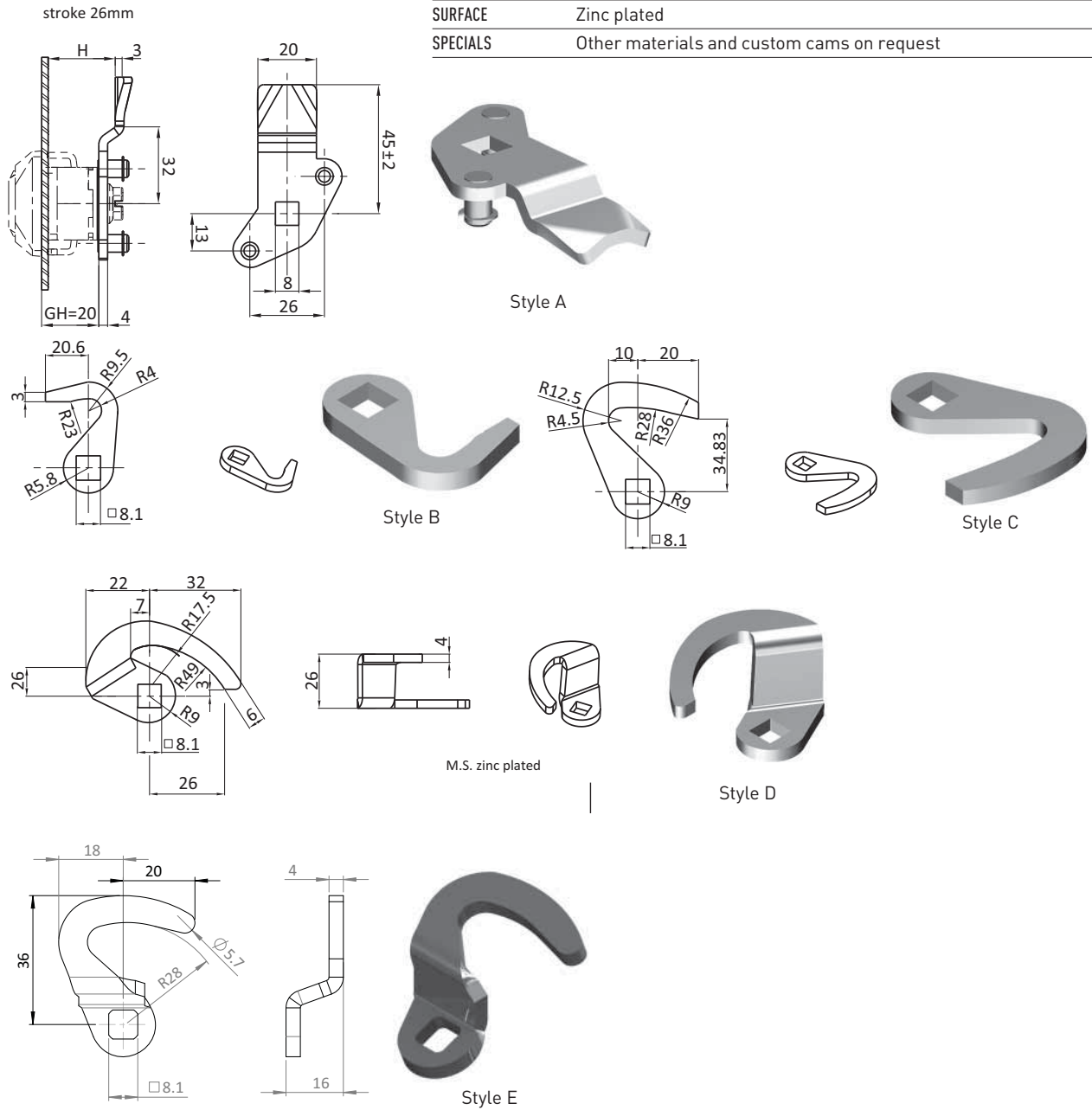
DESCRIPTION	Locks and unlocks both quarter turns and swing handles
MATERIAL	Mild steel
SURFACE	Zinc plated



Custom Quarter Turn Cams	Cam offset	Part #
	0	0810688
	2	0810689
	8	0810690
	20	0810691

UNIQUE MULTIPOINT QUARTER TURN CAMS

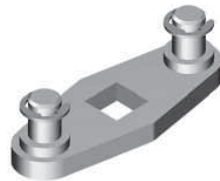
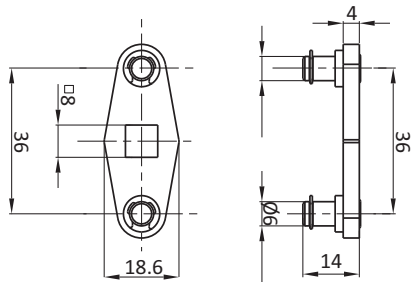
DESCRIPTION	Multi point cams for standard quarter turns. Cam contains a stop for quarter turns that do not have internal restraints
MATERIAL	Mild Steel
SURFACE	Zinc plated
SPECIALS	Other materials and custom cams on request



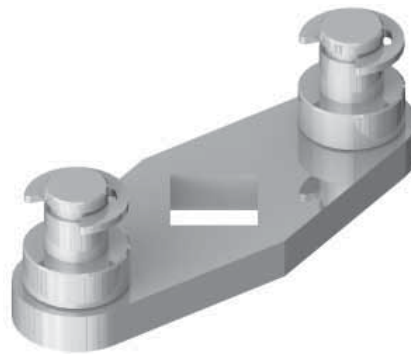
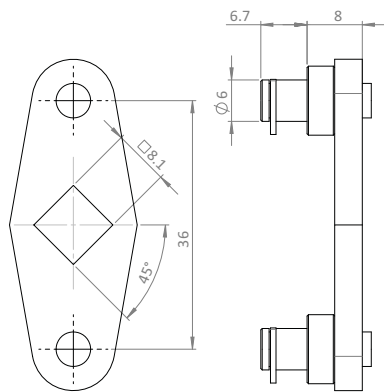
Style	H Dimension	Part #		
A			0810459	0810460
			0810461	0810462
			0810463	0810464
			0810465	0810466
B		0810711		
C		0810712		
D		0810713		
E		0810712S01		

UNIQUE MULTIPOINT QUARTER TURN CAMS

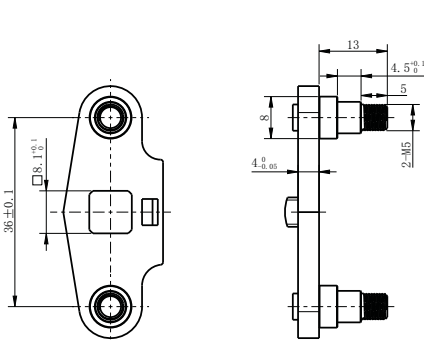
DESCRIPTION	Multi point cams for standard quarter turns. Cam contains a stop for quarter turns that do not have internal restraints
MATERIAL	Mild Steel
SURFACE	Zinc plated
SPECIALS	Other materials and custom cams on request



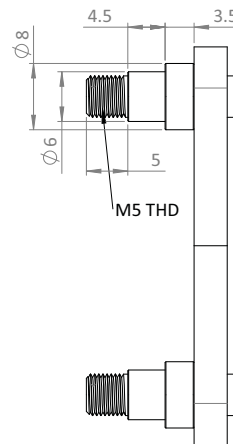
Style A



Style B



Style C

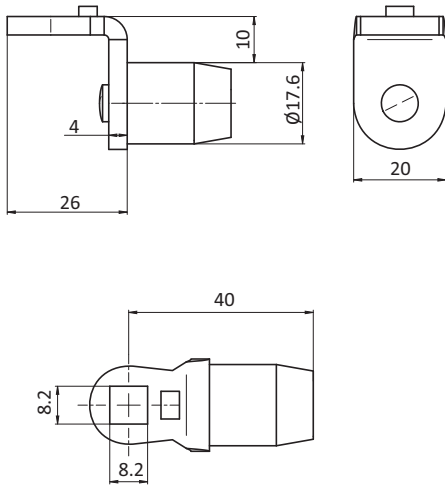


Style D

Style	Angle	Part #
A	90 Degree	0810708
B	45 Degree	0810709
C	90 Degree	0810710
D	90 Degree with mechanical stop	0810710S01

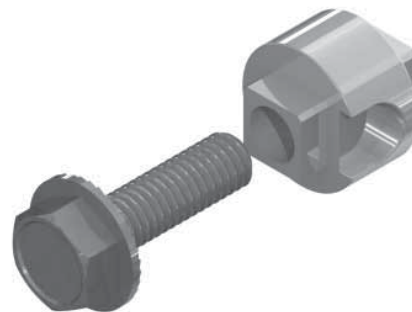
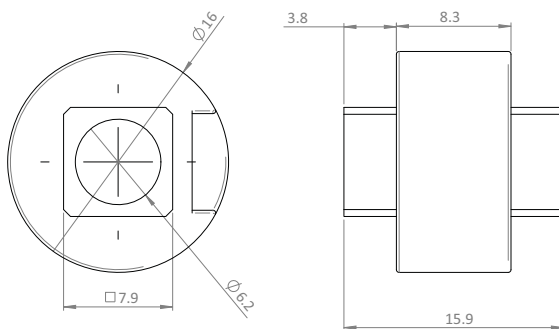
SINGLE POINT ROLLER CAM

DESCRIPTION	For standard quarter turns, allows larger ramp range and smoother locking
MATERIAL	Cam: mild steel, 304 Stainless steel Roller: Nylon PA, glass fiber reinforced
SURFACE	Cam: zinc plated, passivated
COLOR	Roller: black
SPECIALS	Custom cam on request



Single Point Roller Cam	Material	Part #
	Steel	0810261RC
	304 Stainless Steel	0810261RCE

DESCRIPTION	For quicker assembly of quarter turns replaces the need for quarter turn mounting nuts. Includes M6 x 23mm screw
MATERIAL	Die cast zinc
SURFACE	Zinc plated

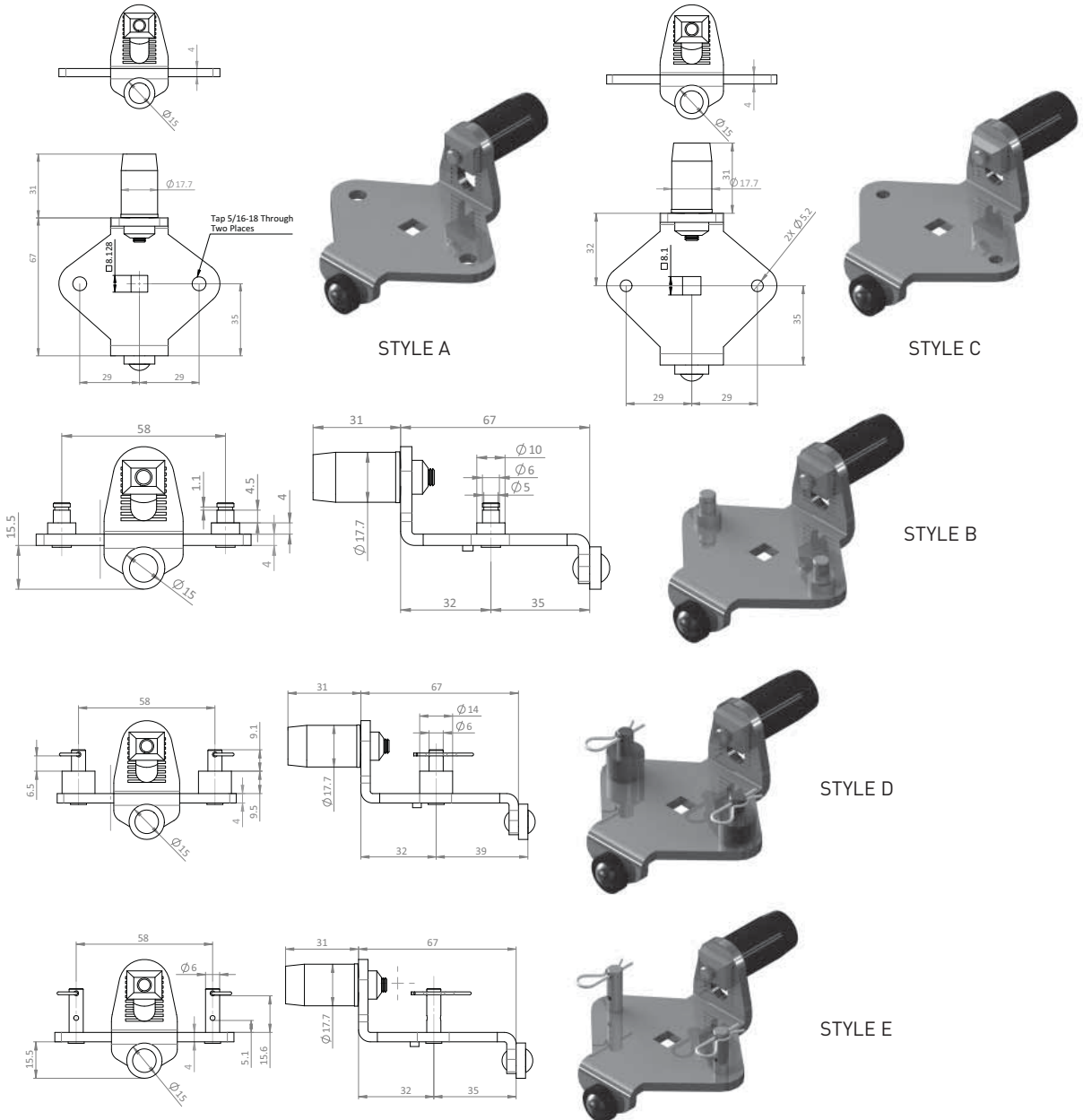


M6 x 20 Hex Washer
Head Screw with Loctite

	Description	Part #
	Three point cam adapter for rod control	0850167

ADJUSTABLE ROLLER CAM

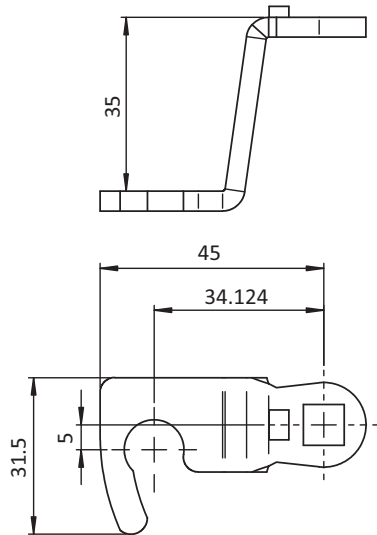
DESCRIPTION	For standard quarter turns, allows larger ramp range and smoother locking
MATERIAL	Cam: mild steel Roller: Nylon PA, glass fiber reinforced
SURFACE	Cam: zinc plated
COLOR	Roller: black



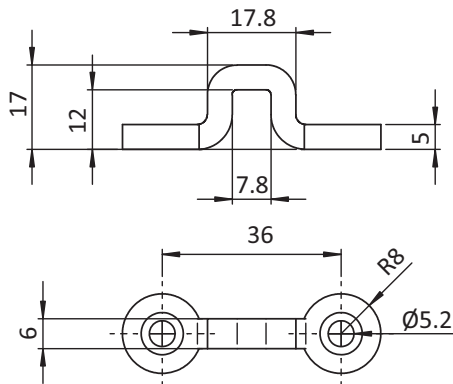
Style	Rod Mounting Type	Part #
A	5/16 - 18 Tapped	0812151RCS01
B	Offset Stud	0812151RCS02
C	Through Hole	0812151RCS03
D	Offset Stud	0812151RCS04
E	Dual Position	0812151RCS05

HOOK CAM QUARTER TURN

DESCRIPTION	Hook Cams for standard quarter turns. Cam contains a stop for quarter turns that do not have internal restraints
MATERIAL	Mild steel Loop: Die-cast zinc
SURFACE	Zinc plated
SPECIALS	Other materials on request



Hooked cam



Bolt-on loop

Hook Cam Quarter Turn

Part #

Hooked cam

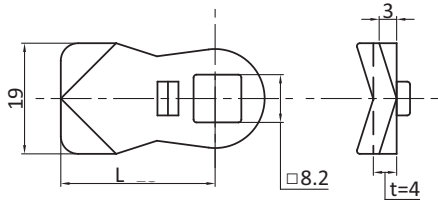
0810377

Bolt-on loop

0820132

SMALL QUARTER TURN CAMS

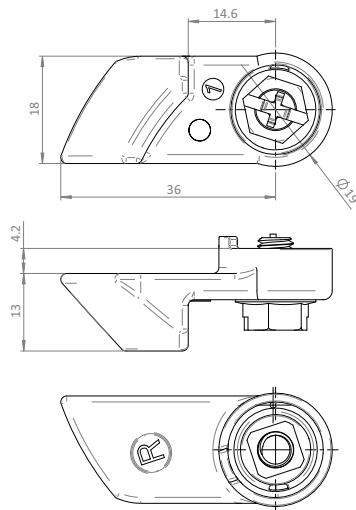
DESCRIPTION	Multi point cams for standard quarter turns. Cam contains a stop for quarter turns that do not have internal restraints
MATERIAL	Mild Steel
SURFACE	Zinc plated
SPECIALS	Other materials and custom cams on request



L (mm)	BH	Part #
25	0	0810347
20	0	0813441

SLAM CAMS

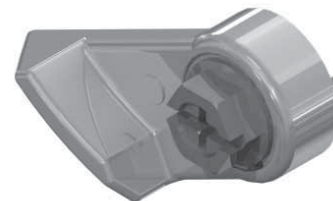
DESCRIPTION	Slam cams for standard quarter turns. Cam contains a stop for quarter turns that do not have internal restraints
MATERIAL	Die cast - Stainless Steel
SURFACE	Natural
SPECIALS	Other materials and custom cams on request



Right Version Shown



Right Hand

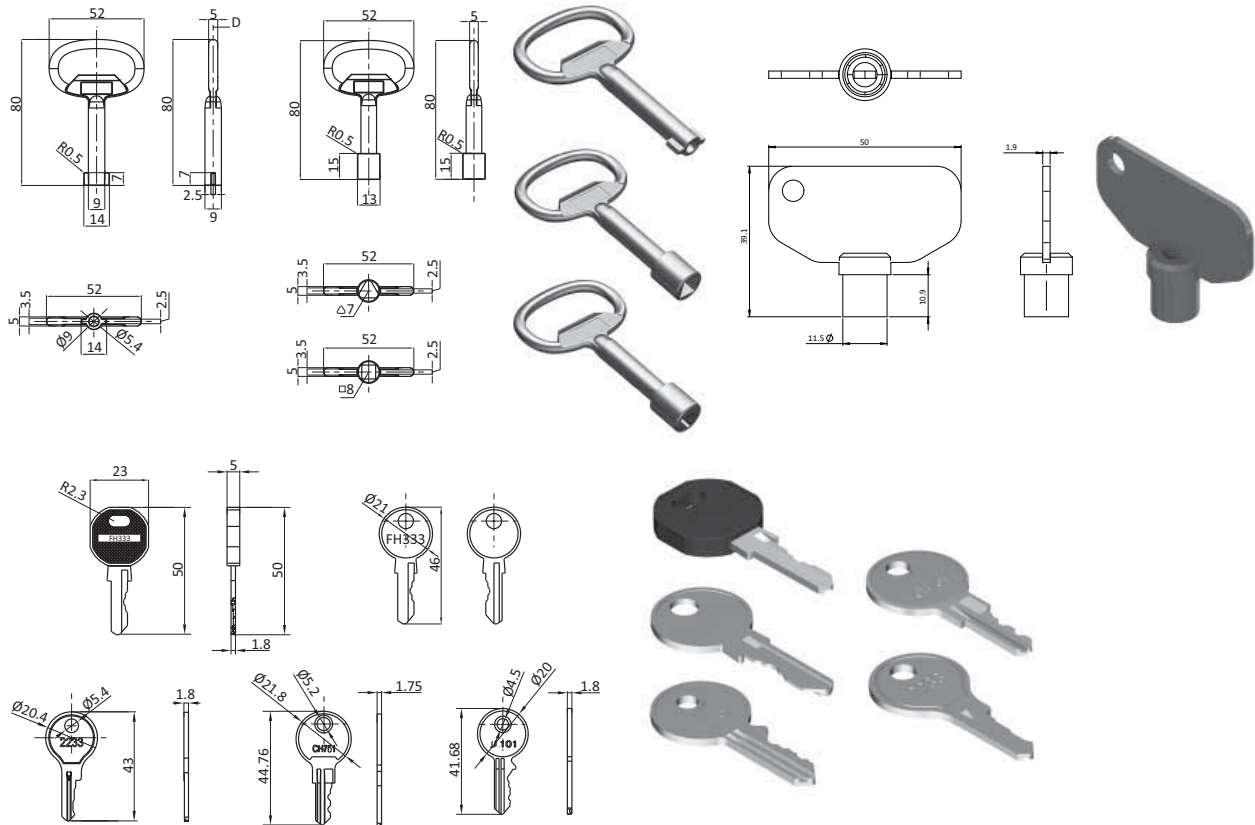


Left Hand

Rotation	Material	Part #
Left	Die Cast Zinc	0850220
Right	Die Cast Zinc	0850221
Left	Stainless Steel	0850222
Right	Stainless Steel	0850223

KEYS

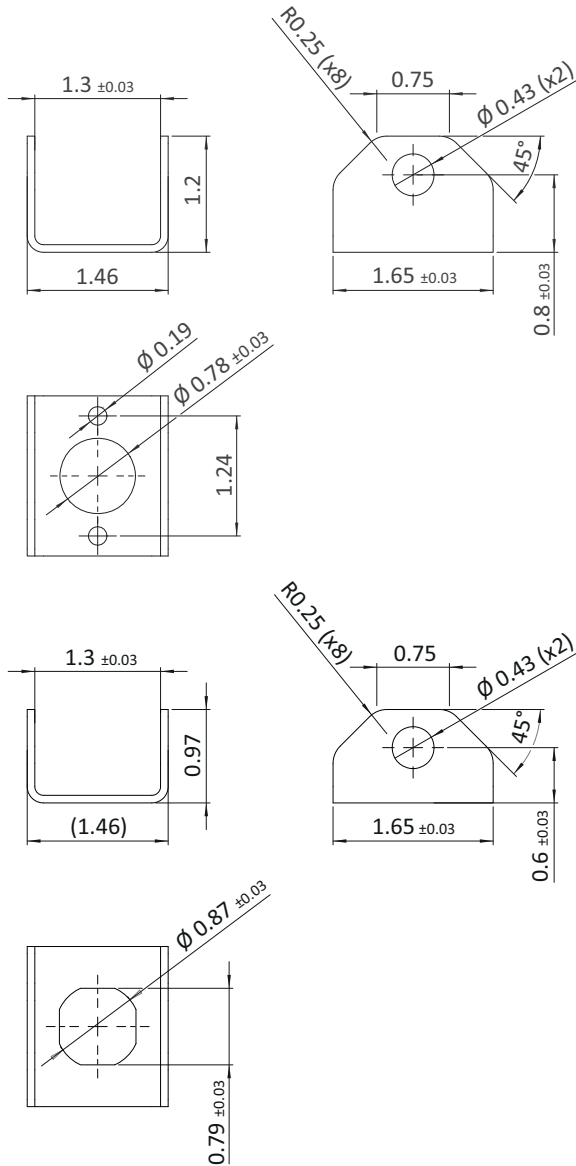
DESCRIPTION	Standard cams for standard quarter turns. Contains 3mm ramps. Cam contains a stop for quarter turns that do not have internal restraints
MATERIAL	Die cast zinc Brass
SURFACE	Zinc plated Chrome plated



Key Type	L [mm]	Material	Part #	Black Powder coated	Chrome Plated
Double bit 5mm	80	Die cast zinc		0813427	0890049
	70	Die cast zinc		0813428	0890052
Triangular 8mm	55	Die cast zinc		0813429	0890055
	80	Die cast zinc		0813430	0890050
	70	Die cast zinc		0813431	0890053
Square 8mm	55	Die cast zinc		0813432	0890056
	80	Die cast zinc		0813433	0890051
	70	Die cast zinc		0813434	0890054
	55	Die cast zinc		0813435	0890057
FH333		Full brass	0810123R01		
FH333		Stainless Steel	0813569S03		
		PA knob, brass key	0813437		
FH751		Full brass	0810058R01		
FH2233		Full brass	0813439		
FH101		Full brass	0813440		
Barrel		Steel	0810239R01		
Hex 7/16	80	Die cast zinc		0850195	
5/16 Hex with 1/8 Pin	80	Die cast zinc		0850196	

PADLOCK DEVICE

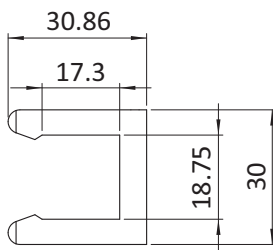
DESCRIPTION	Padlock device for quarter turn locks
MATERIAL	304 SS



Padlock Device		Part #
	Small	0813442
	Large	0813443

QUARTER TURN MOUNTING SPRING CLIP

DESCRIPTION	For quicker assembly of quarter turns replaces the need for quarter turn mounting nuts
MATERIAL	Spring steel



Four / Three Point Cam

Part #

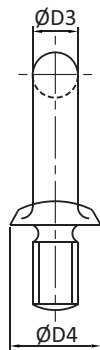
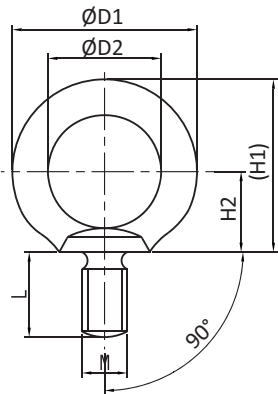
For standard quarter turns for type A

340ME452

For small quarter turns for type A

340ME452S01

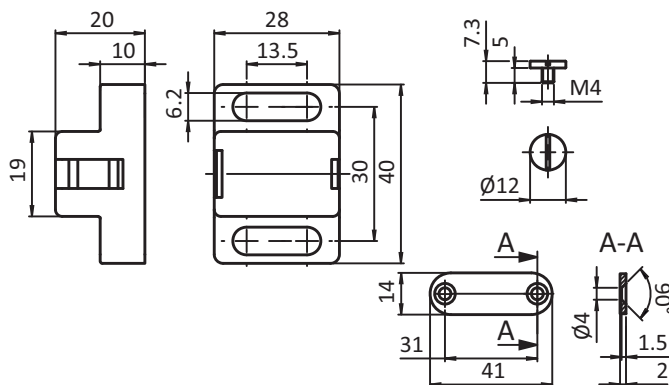
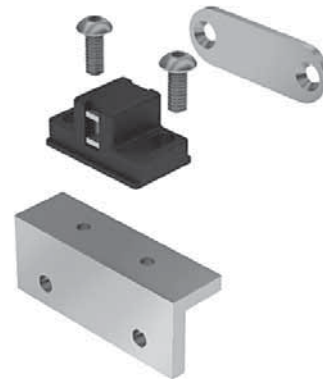
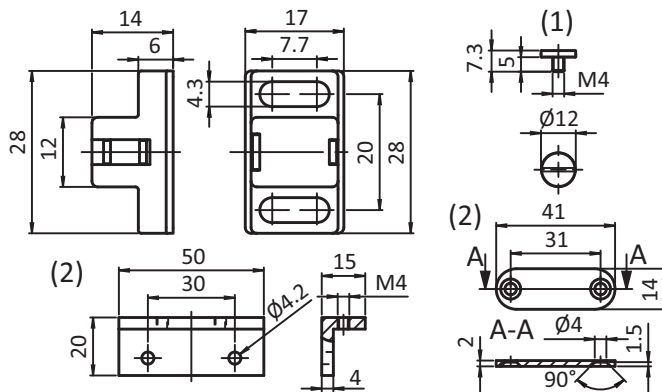
EYE BOLTS



L	H1	H2	D1	D2	D3	D4	M Metric	M Imperial	Part #
15	33.3	17	32.6	20	6.3	16	8		0890040
18	41.5	21	41	25	8	20	10		0890041
22	51	26	50	30	10	25	12		0890042
27	60	30	60	35	12.5	30	16		0890043
30	71	35	72	40	16	35	20		0890044
34	84	43	81	44	18	40	22		0890045
38	90	45	90	50	20	45	24		0890046
45	110	55	110	60	25	60	30		0890047
55	131.5	65	133	70	31.5	70	36		0890048
33	44	24	40	24	8	16.5		3/8-16	092EBF3-8ID24S01
39	55	30	50.6	30	10.3	22		1/2-13	092EBF1-2ID30

MAGNETIC CATCH 20

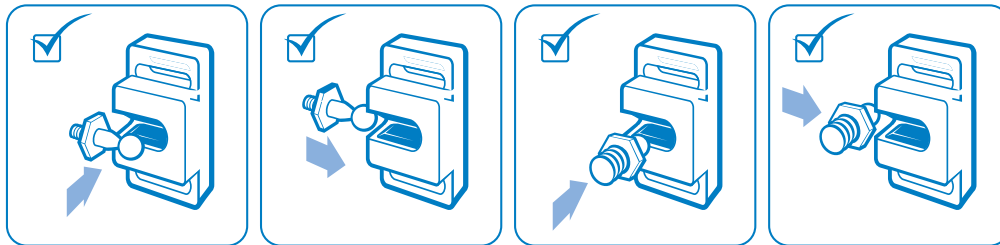
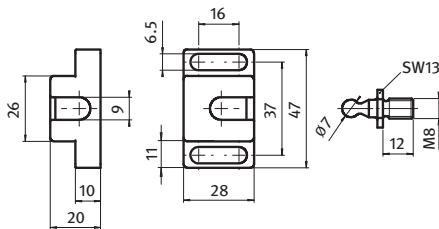
DESCRIPTION	A quick locking device for doors, adaptable to the thickness of the panel units
MATERIAL	Magnetic catch: Nylon PA, glass fiber reinforced Assembly set: Steel Angle bracket: Aluminum
COLOR	Magnetic catch: Black
SET	1 magnetic catch 20, 1 counter plate 14 x 41 x 2 mm, 2 screws DIN 7380 - M4 x 10, 1 angle bracket
PACK QUANTITY	10 pieces
SPECIALS	? electrostatically conductive, other sizes, other colors on request



Mounting Screw	Magnetic Catch	Locking Force	Weight [g]	Part #
M4	Catch 20	Approx. 5 N front / 3 N back	9.0	093094
M4	Catch 20 With 093044R01	Approx. 5 N front / 3 N back	9.0	093046
M6		Approx. 20 N front / 10 N back	45.9	093044

BALL CATCH

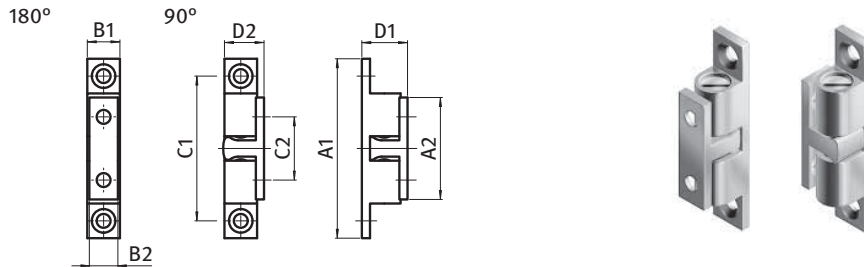
DESCRIPTION	A quick locking device for doors, adaptable to the thickness of the panel units
MATERIAL	Nylon PA, glass fiber reinforced
COLOR	Black
COUNTER SCREW	M8 x 12, zinc plated steel / stainless steel SS 304
FASTENING	Using screws
PACK QUANTITY	10 pieces
SPECIALS	? electrostatically conductive, other sizes, other colors on request



Ball Catch	Locking Force	Counter Screw	Weight [g]	Part #
light	~ 40 N	Zinc-plated steel	45.0	093045
	~ 40 N	Stainless steel	45.0	093045503
strong	~ 50 N	Zinc-plated steel	45.0	093043
	~ 50 N	Stainless steel	45.0	093043502

DOUBLE BALL CATCH MS

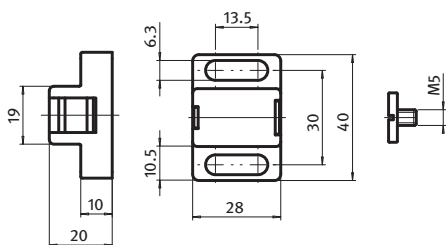
DESCRIPTION	Quick catch for doors, adjustable clamping force, 2 possible positions (sideways / from the front)
MATERIAL	Spring: Stainless steel Ball: Stainless steel Body: Brass
SURFACE	Chrome plated (RoHS compliant)
FASTENING	From the front, using countersunk screws



Screw	A1 [mm]	A2 [mm]	B1 [mm]	B2 [mm]	C1 [mm]	C2 [mm]	D1 [mm]	D2 [mm]	Weight [g]	Part #
M3	44.0	24.7	8.0	6.6	35.0	15.2	11.8	9.7	15.60	0930461
	49.0	28.8	8.8	7.6	39.8	19.8	13.2	10.8	23.60	0930462
M4	60.0	35.0	11.0	9.0	50.0	23.5	15.5	13.5	40.00	0930463
	68.4	40.2	13.0	12.0	58.0	30.0	18.1	15.2	65.00	0930464

MAGNETIC CATCH 40

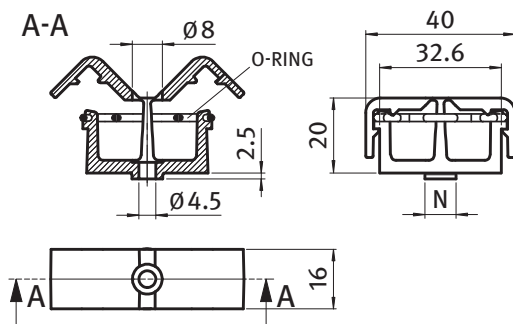
DESCRIPTION	A quick locking device for doors, adaptable to the thickness of the panel units
MATERIAL	Nylon PA, glass fiber reinforced
COLOR	Black
COUNTER PLATE	Pan head screw DIN 921 - M5 x 6, zink-plated steel (other screws on request)
FASTENING	Using screws
PACK QUANTITY	10 pieces
SPECIALS	? electrostatically conductive, other sizes, other colors on request



Magnetic Catch	Locking Force	Weight [g]	Part #
	Approx. 20 N front / 10 N back	39.0	093040

CLIP CABLE BINDER

DESCRIPTION	To fix cables without the need for cable ties, can be opened and closed again
MATERIAL	Clip: Nylon PA Rubber: FPM 70
COLOR	Black
FASTENING	From the front, using M4 lens or socket head screws
PACK QUANTITY	10 pieces
SPECIALS	? electrostatically conductive, other sizes, other colors on request
SPECIALS	? electrostatically conductive, other sizes, other colors on request



Clip Cable Binder

Weight [g]

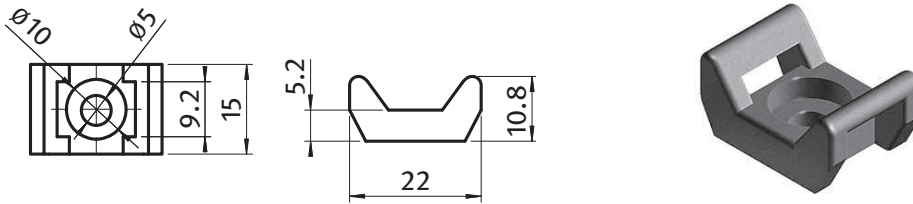
Part #

7.0

093401

UNIVERSAL CABLE BINDING BLOCKS

DESCRIPTION	To secure cables to aluminum profiles; to be mounted with a hammer nut
MATERIAL	Nylon PA, glass fiber reinforced
COLOR	Black
SPECIALS	Other colors on request



Universal Cable Binding Block	Weight [g]	Part #
	1.6	093059

DESCRIPTION	To secure cables to Sheet Metal Surfaces
MATERIAL	Nylon PA, glass fiber reinforced
COLOR	Black
SPECIALS	Other colors on request



Style A



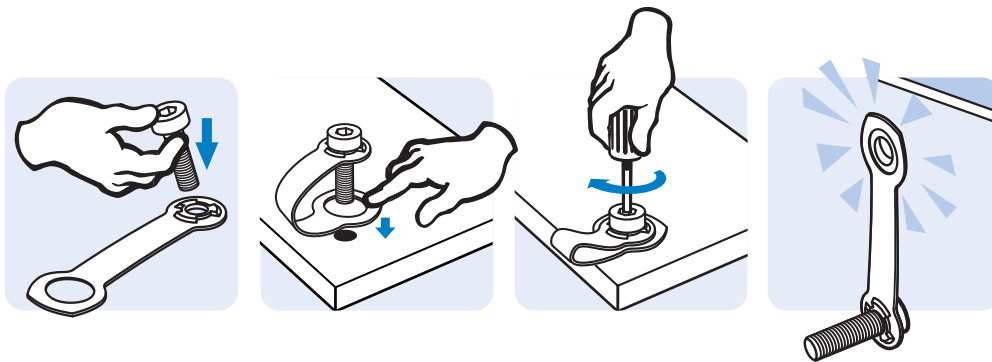
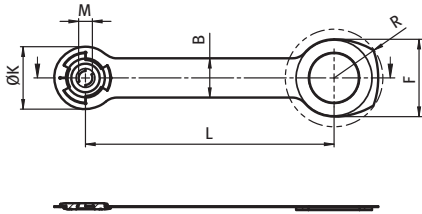
Style B



Custom Quarter Turn Cams	Clamping Range	Notes	Part #
	4-20mm		093813A04
Style A	4-20mm	Includes 10mm Wide Hook-and-Loop @ 150mm Long	093813A04S01
Adhesive Base	8-35mm		093814A45
	8-35mm	Includes 10mm Wide Hook-and-Loop @ 150mm Long	093814A45S01
	4-20mm		093813M04
	4-20mm	Includes 10mm Wide Hook-and-Loop @ 150mm Long	093813M04S01
Style b	8-35mm		093814M45
Screw On Base	8-35mm	Includes 20mm Wide Hook-and-Loop @ 180mm Long	093814M45S01
	10-60mm		093815M45
	10-60mm	Includes 20mm Wide Hook-and-Loop @ 180mm Long	093815M45S01
Hook-and-Loop Tape		10mm Wide x 25 Meter Roll	09380010
		20mm Wide x 25 Meter Roll	09380020

SAFETY STRAP

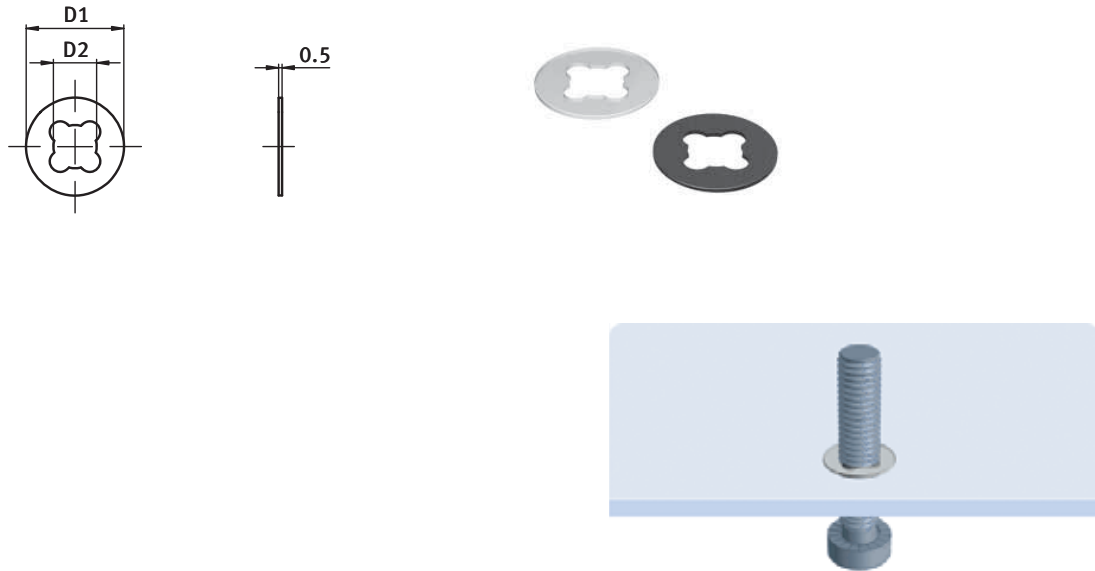
DESCRIPTION	To easily and fastly secure screws, according to Machinery Directive 2006/42/EC
MATERIAL	Strap: Plastic PVC Shim: Nylon PA, glass fiber reinforced
COLOR	Clear / black



	M	L	R	B	ØK	F	Weight [g]	Part #
	[mm]	[mm]	[mm]	[mm]	[mm]	[mm]		
Safety Strap	6	90.0	34.9	14.2	22.6	28.0	1.0	093VS06
	8	100.0	39.5	18.2	28.2	32.0	1.5	093VS08
	10	110.0	46.7	23.2	33.2	39.0	2.0	093VS10
	12	120.0	46.8	23.2	33.2	29.0	3.0	093VS12
Without print	6	90.0	34.9	14.2	22.6	28.0	1.0	093VS06S01
	8	100.0	39.5	18.2	28.2	32.0	1.5	093VS08S01
	10	110.0	46.7	23.2	33.2	39.0	2.0	093VS10S01
	12	120.0	46.8	23.2	33.2	29.0	3.0	093VS12S01

ANTI-LOSS WASHER

DESCRIPTION	To secure screws to panels
MATERIAL	Nylon PA
COLOR	Natural / black
PACK QUANTITY	1000 pieces
SPECIALS	Other sizes on request

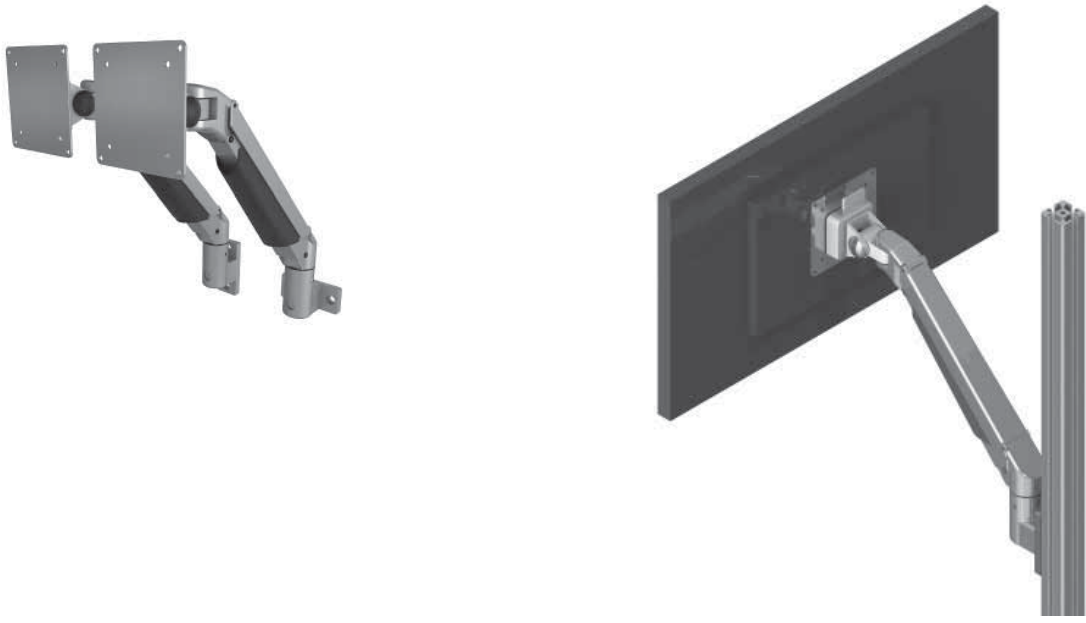
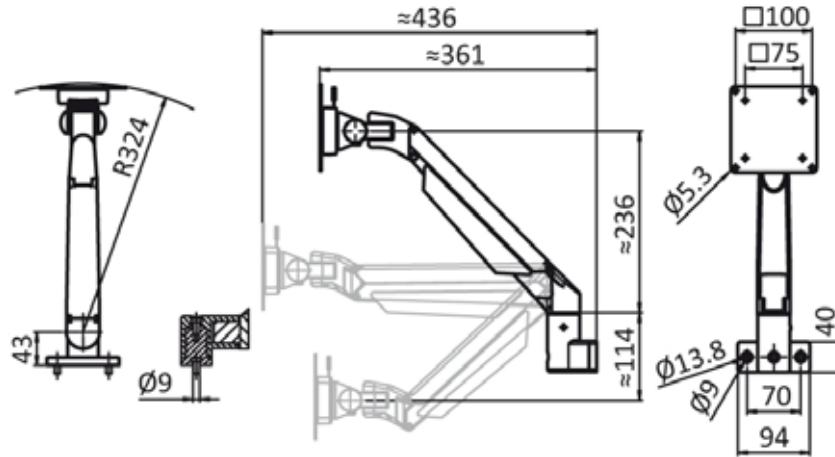


Anti-loss washer	Color	for Screw	D1 [mm]	D2 [mm]	Weight [g]	Part #
	natural	M5	10.0	4.1	1.0	093169
	black	M5	10.0	4.1	1.0	093169SW
	natural	M6	12.0	5.1	1.0	093166
	black	M6	12.0	5.1	1.0	093166SW
	natural	M8	14.0	6.2	1.0	093156

MONITOR ARM 4 AXIS



DESCRIPTION	Adjustable Support for monitors
MATERIAL	Monitor Support: Die cast aluminum Hardware: Steel
COLOR	Monitor Support: Aluminum color powder coated Hardware: Zinc plated

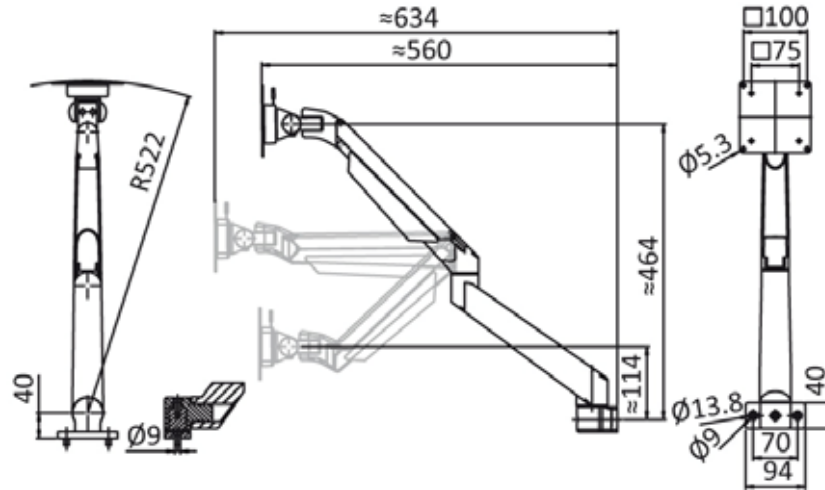


Max Load (kg)	Weight (g)	Profile	Part #
10.00	2200.0	I	6MHM75100S40

MONITOR ARM 5 AXIS



DESCRIPTION	Adjustable Support for monitors
MATERIAL	Monitor Support: Die cast aluminum Hardware: Steel
COLOR	Monitor Support: Aluminum color powder coated Hardware: Zinc plated

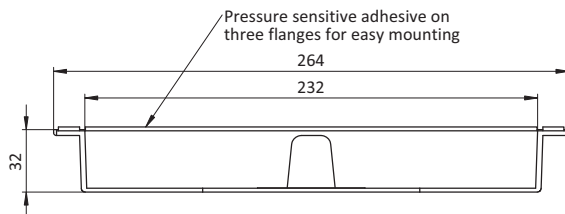
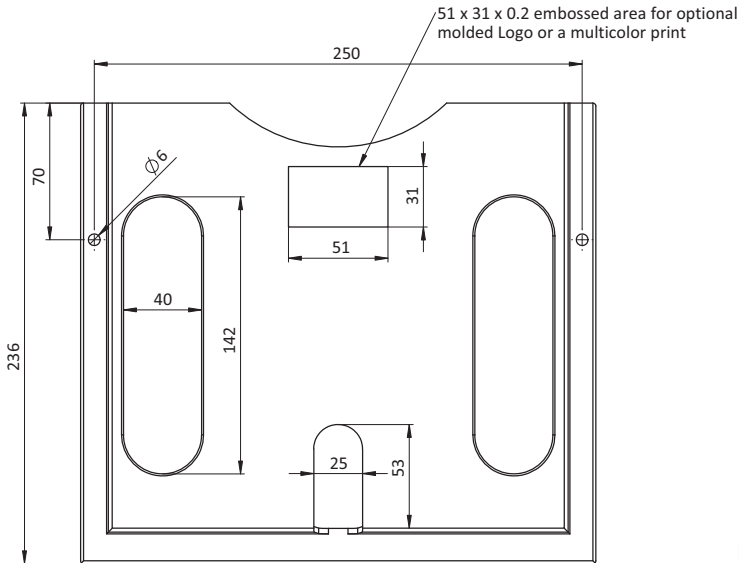


Max Load (kg)	Weight (g)	Profile	Part #
10.00	2550.0	I	6MHM75100D40

DOCUMENT POCKET



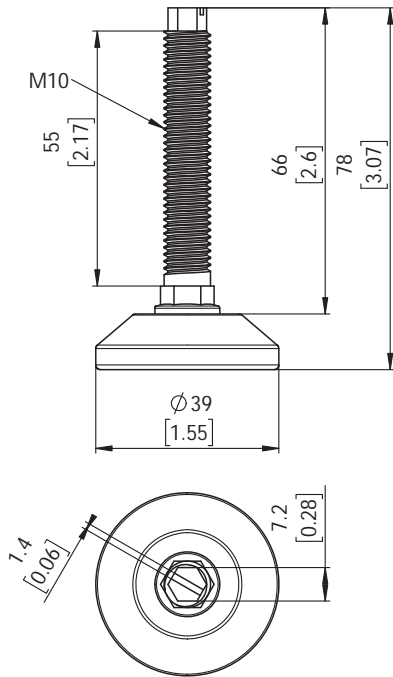
DESCRIPTION	Document storage
MATERIAL	PS HI
COLOR	Grey



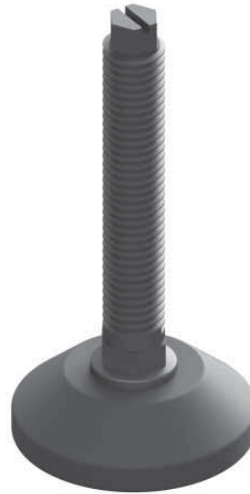
Part #

0890211

LEVELING FEET

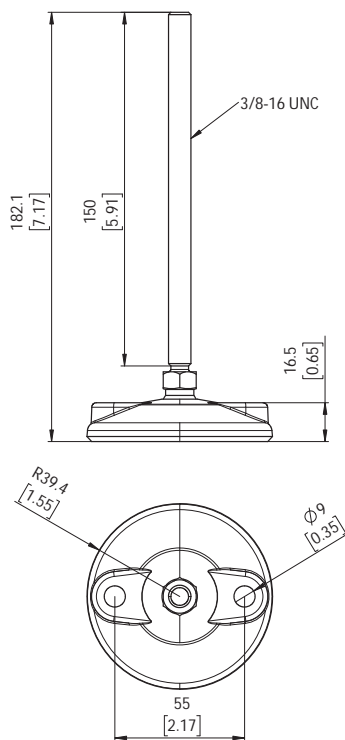


DESCRIPTION	Leveling Foot
MATERIAL	Base: Nylon Threaded Rod: Mild Steel
COLOR	Black



Part #

9A040K10055MS01



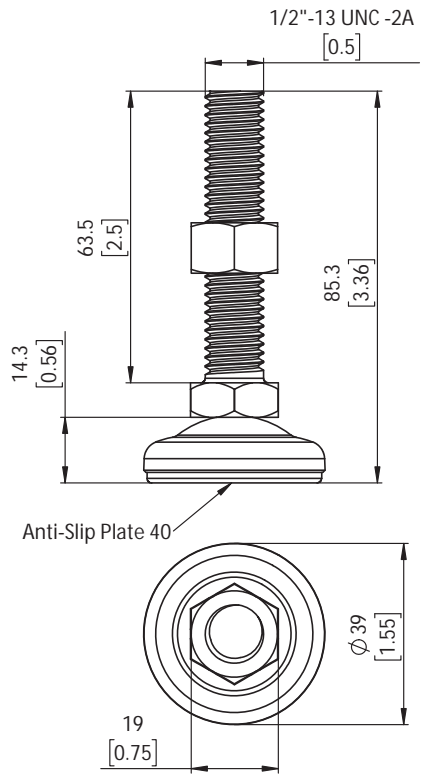
DESCRIPTION	Leveling Foot
MATERIAL	Base: Nylon Threaded Rod: Mild Steel
COLOR	Black



Part #

9D080KB3/8-6MS01

LEVELING FEET



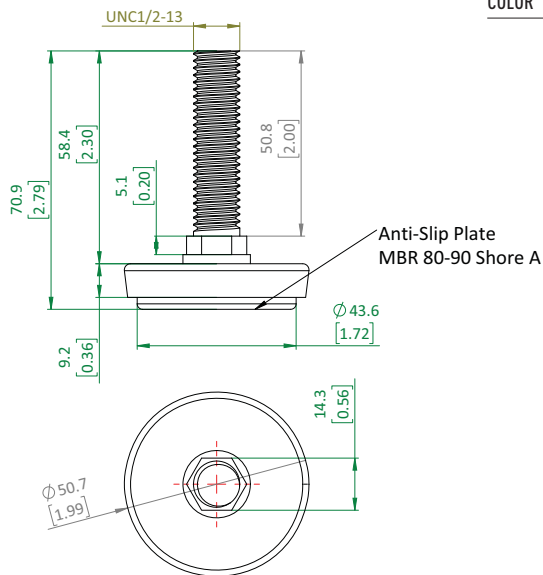
DESCRIPTION	Leveling Foot
MATERIAL	Base: MBR Threaded Rod: Mild Steel
COLOR	Natural



Part #

9E040KGU1-2-2.5MNS01

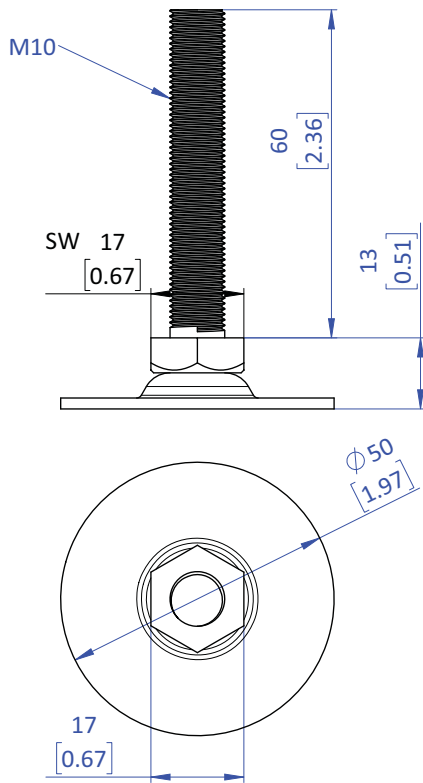
DESCRIPTION	Leveling Foot
MATERIAL	Base: MBR Threaded Rod: Mild Steel
COLOR	Natural



Part #

9E040KGU1-2-2.5MNS01

LEVELING FEET

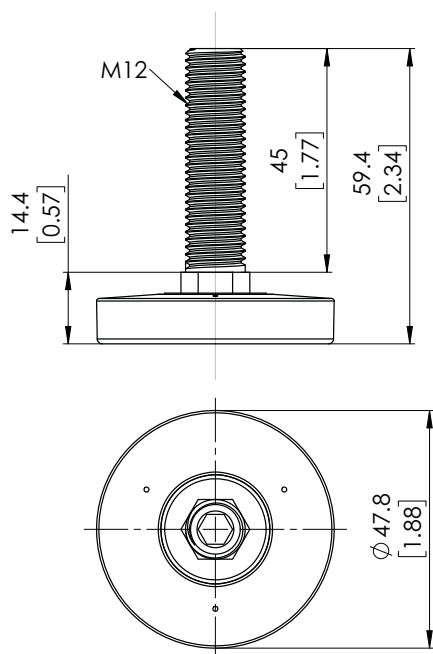


DESCRIPTION	Leveling Foot
MATERIAL	Base: Mild Steel, Threaded Rod: Mild Steel
COLOR	Natural



Part #

CP0442005

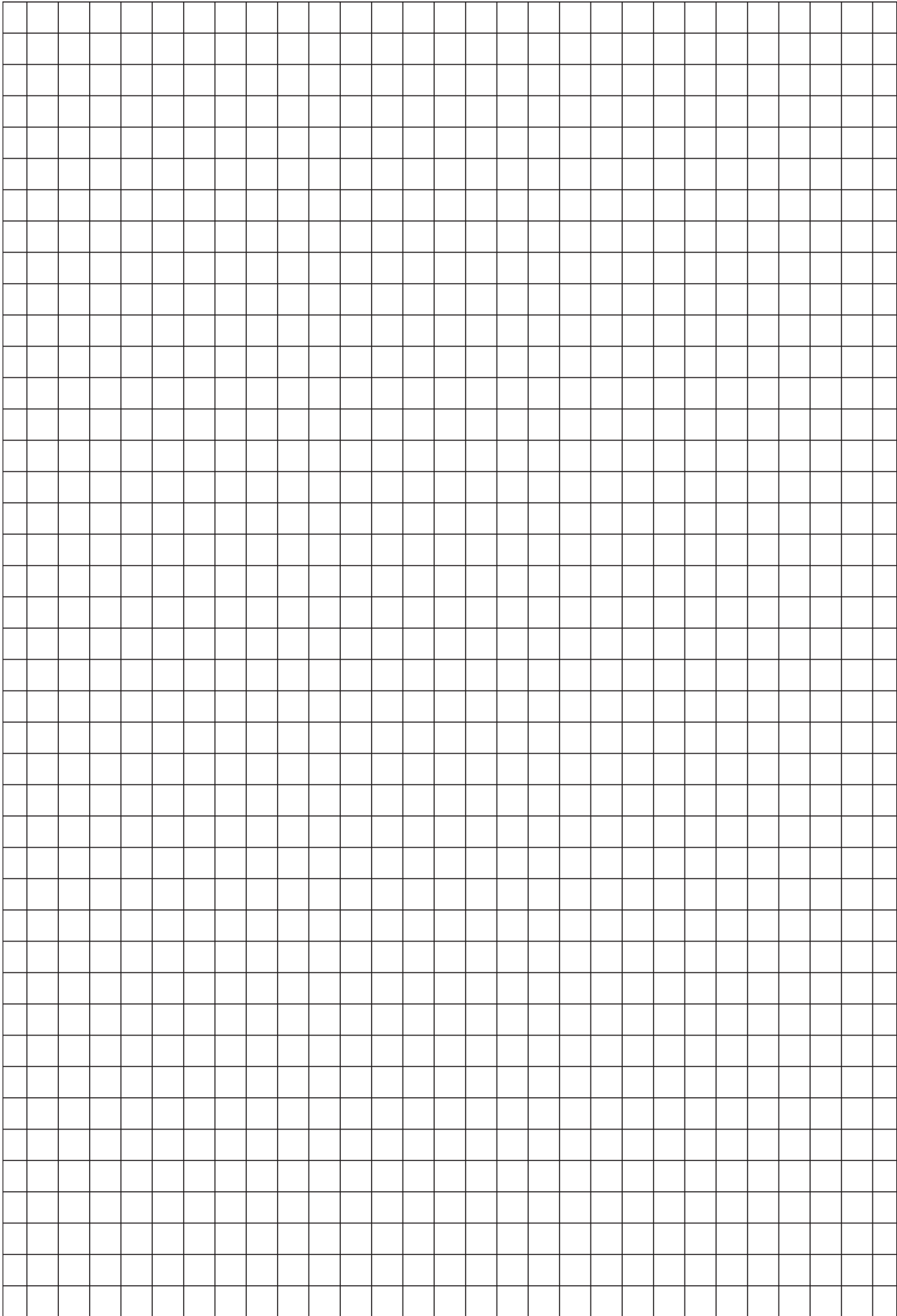


DESCRIPTION	Leveling Foot
MATERIAL	Base: Nylon Threaded Rod: Mild Steel
COLOR	Black



Part #

CP100361004



INDUSTRIAL HARDWARE

CHAPTER 10: **GASKETS**



MATERIAL PROPERTIES AND ADVANTAGES
EDGE PROTECTORS
EDGE SEALING PROFILES
DOOR SEALING PROFILES

244
245-247
248-255
256

QTL

COL

SLA

SWH

ASH

SFH

SCH

COH

ACC

GSK

HAN

HVA

CST

MATERIAL PROPERTIES AND ADVANTAGES

PVC (polyvinyl-chloride)

Advantages: PVC is very stable and has an extremely good resistance to weather. It does not corrode and is flame resistant.

Natural Rubber (NR)

Temperature range: -40 to +70 C

Advantages: Good elasticity and mechanical properties. Tear and abrasion resistant, notch toughness and elasticity. Very resistant to compressive set.

Dissadvantages: Medium to low resistance to oil, weather and ozone.

Ethylene-Propylene-Diene Monomer (EPDM)

Temperature range: -50 to +120 C

Advantages: Excellent resistance to weather, aging, ozone, chemicals, hot water and steam. Good chemical resistance to polar fluids such as acetone and methanol. Outstanding electrical insulation properties. Low steam permeability, good thermal resistance.

Dissadvantages: Low resistance to aliphatic and aromatic hydrocarbons. Flammable.

Polychloroprene (CR)

Temperature range: -30 to +90 C

Advantages: Good resistance to aging, weather, ozone. Low flammability rating. High resistance to alternating bending. Medium resistance to oil. Good mechanical properties and elasticity.

Disadvantages: Possibility of crystallization due to continued low temperature exposure.

Nitrile Rubber (NBR)

Temperature range: -20 to +100 C

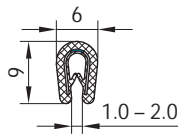
Advantages: High resistance to oil and gasoline. High thermal resistance. Good mechanical resistance and good against compressive set.

Disadvantages: Very low weather and ozone resistance. Low elasticity.

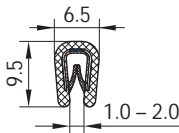


EDGE PROTECTORS

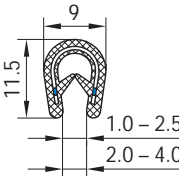
DESCRIPTION	For encasing the edges of panels; with split clamp; self-clamping
MATERIAL	Edge protector: PVC 78 Shore A ☒, PVC 57 Shore A transparent ☒ Clamp: Steel
SPECIALS	Edge protector: Other colors, Butyl sealant on request Clamp: Stainless steel, non-split, single-sided split on request Other cross-sections on request



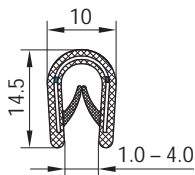
Clamp	Color	Clamping range [mm]	Pack Quant. [m]	Part #
Center bar	black	1.0 – 2.0	100	087EPE01911
Center bar	white	1.0 – 2.0	100	087EPE01931
Center bar	grey	1.0 – 2.0	100	087EPE01711



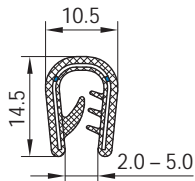
Clamp	Color	Clamping range [mm]	Pack Quant. [m]	Part #
Center bar	black	1.0 – 2.0	100	087EPE02911
Center bar	white	1.0 – 2.0	100	087EPE02931
Center bar	silver	1.0 – 2.0	100	087EPE02941



Clamp	Color	Clamping range [mm]	Pack Quant. [m]	Part #
Double bar	black	1.0 – 2.5	100	087EPE03911
Double bar	black	2.0 – 4.0	100	087EPE03912



Clamp	Color	Clamping range [mm]	Pack Quant. [m]	Part #
Double bar	black	1.0 – 4.0	100	087EPE04911
Double bar	anthracite	1.0 – 4.0	100	087EPE04731
Double bar	light grey	1.0 – 4.0	100	087EPE04721
Double bar	white grey	1.0 – 4.0	100	087EPE04921

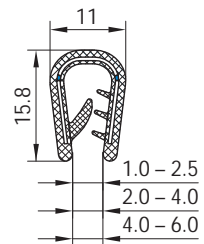
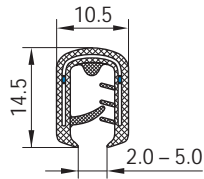


Clamp	Color	Clamping range [mm]	Pack Quant. [m]	Part #
Double bar	black	2.0 – 5.0	100	087EPE05911



EDGE PROTECTORS

DESCRIPTION	For encasing the edges of panels; with split clamp; self-clamping
MATERIAL	Edge protector: PVC 78 Shore A ☒, PVC 57 Shore A transparent ☒ Clamp: Steel
SPECIALS	Edge protector: Other colors, Butyl sealant on request Clamp: Stainless steel, non-split, single-sided split on request Other cross-sections on request



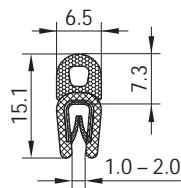
Clamp	Color	Clamping range (mm)	Pack Quant. (m)	Part #
Double bar	grey	2.0 – 5.0	100	087EPE06711

Clamp	Color	Clamping range (mm)	Pack Quant. (m)	Part #
Double bar	black	1.0 – 2.5	100	087EPE07911
Double bar	black	2.0 – 4.0	100	087EPE07912
Double bar	black	4.0 – 6.0	100	087EPE07913

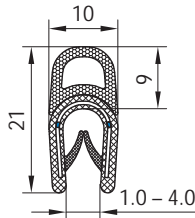


EDGE PROTECTORS

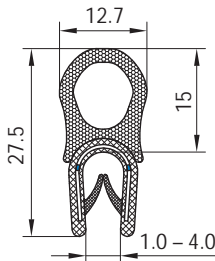
DESCRIPTION	Combination of edge protector and sealing profile; with split clamp; self-clamping
MATERIAL	Edge protector: PVC 78 Shore A ☒, PVC 57 Shore A transparent ☒ Clamp: Steel Sealing profile: Foam rubber EPDM ☒
SPECIALS	Edge protector: Other colors, Butyl sealant on request Sealing profile: Lubricant varnish, flocking, EMC film on request Clamp: Stainless steel, non-split, single-sided split on request Other cross-sections on request



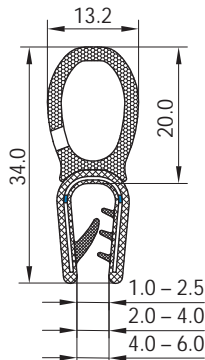
Clamp	Color	Clamping range (mm)	Pack Quant. (m)	Part #
Center bar	black	1.0 – 2.0	100	087SPET01911



Clamp	Color	Clamping range (mm)	Pack Quant. (m)	Part #
Double bar	black	1.0 – 4.0	50	087SPET02911



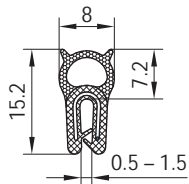
Clamp	Color	Clamping range (mm)	Pack Quant. (m)	Part #
Double bar	black	1.0 – 4.0	50	087SPET03911



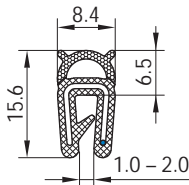
Clamp	Color	Clamping range (mm)	Pack Quant. (m)	Part #
Double bar	black	1.0 – 2.5	50	087SPET04911
Double bar	black	2.0 – 4.0	50	087SPET04912
Double bar	black	4.0 – 6.0	50	087SPET04913

EDGE SEALING PROFILES

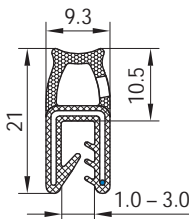
DESCRIPTION	Combination of edge protector and sealing profile; with wire clamp or non-split clamp; self-clamping
MATERIAL	Edge protectors: Soft rubber EPDM or NBR ☒☒☒ Clamp: Steel Sealing profile: Foam rubber EPDM or NBR ☒☒☒
SPECIALS	Edge protectors: Other colors, Butyl sealant on request Sealing profile: Lubricant varnish, flocking, EMC film on request Clamp: Stainless steel, split on request Other cross-sections on request



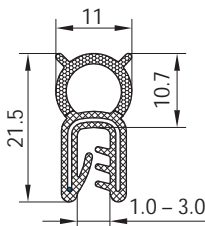
Material	Clamp	Color	Clamp. range [mm]	Pack Quant. [m]	Part #
EPDM / EPDM	wire	black	0.5 – 1.5	2 x 50	087SPET05911



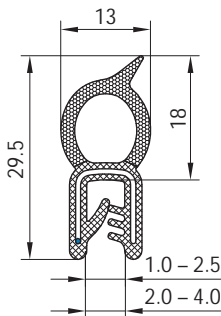
Material	Clamp	Color	Clamp. range [mm]	Pack Quant. [m]	Part #
EPDM / EPDM	wire	black	1.0 – 2.0	2 x 50	087SPET06911



Material	Clamp	Color	Clamp. range [mm]	Pack Quant. [m]	Part #
EPDM / EPDM	Center bar	black	1.0 – 3.0	2 x 50	087SPET07911



Material	Clamp	Color	Clamp. range [mm]	Pack Quant. [m]	Part #
EPDM / EPDM	wire	black	1.0 – 3.0	2 x 50	087SPET08911
SILICONE	wire	blue	1.0 – 3.0	2 x 50	087SPET08911-SI
EPDM / EPDM	wire	blue	1.0 – 3.0	2 x 50	087SPET08911-BL
EMI/EPDM	wire	black	1.0 – 3.0	2 x 50	087SPET08911-EMI
NBR / NBR	wire	black	1.0 – 3.0	2 x 50	087SPET08912

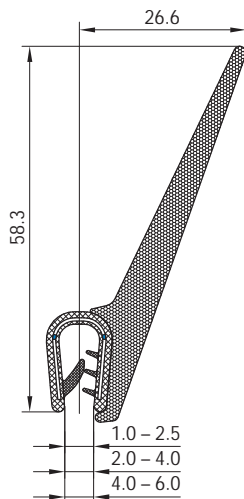
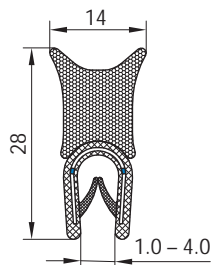
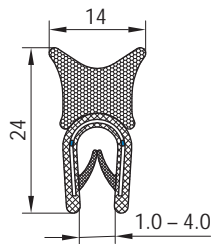


Material	Clamp	Color	Clamp. range [mm]	Pack Quant. [m]	Part #
EPDM / EPDM	wire	black	1.0 – 2.5	2 x 50	087SPET09911
EPDM / EPDM	wire	black	2.0 – 4.0	2 x 50	087SPET09912



EDGE SEALING PROFILES

DESCRIPTION	Combination of edge protector and sealing profile; with wire clamp / split double bar clamp; self-clamping
MATERIAL	Edge protectors: PVC 78 Shore A ☒, PVC 57 Shore A transparent ☒ Clamp: Steel Sealing profile: Foam rubber EPDM ☒
SPECIALS	Edge protectors: Other colors, Butyl sealant on request Sealing profile: Lubricant varnish, flocking, EMC film on request Clamp: Stainless steel, non-split, single-sided split on request Other cross-sections on request



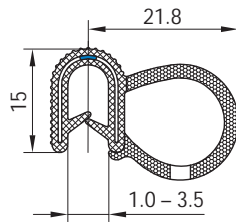
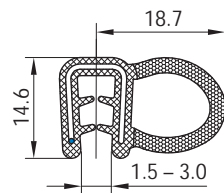
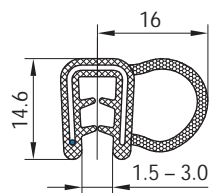
Color	Clamping range [mm]	Pack Quant. [m]	Part #
black	1.0 - 4.0	50	087SPET10911

Color	Clamping range [mm]	Pack Quant. [m]	Part #
black	1.0 - 4.0	50	087SPET11911

Material	Clamp (2)	Color	Clamp. range [mm]	Pack Quant. [m]	Part #
EPDM / PVC	double bar	black	1.0 - 2.5	25	087SPES16911
EPDM / PVC	double bar	black	2.0 - 4.0	25	087SPES16912
EPDM / PVC	double bar	black	4.0 - 6.0	25	087SPES16913

EDGE SEALING PROFILES

DESCRIPTION	Combination of edge protector and sealing profile; with wire clamp / non-split clamp; self-clamping
MATERIAL	Edge protector: Soft rubber EPDM or CR ☒☒ Clamp: Steel Sealing profile: Foam rubber EPDM or CR ☒☒
SPECIALS	Edge protector: Butyl sealant on request Sealing profile: Lubricant varnish, flocking, EMC film on request Finishing: Flame resistant, anti-fungal on request Clamp: Stainless steel, split on request Other cross-sections on request



Material	Clamp	Color	Clamp. range [mm]	Pack Quant. [m]	Part #
EPDM / PVC	wire	black	1.5 – 3.0	2 x 50	087SPES02911



Material	Clamp	Color	Clamp. range [mm]	Pack Quant. [m]	Part #
EPDM / EPDM	wire	black	1.5 – 3.0	4 x 25	087SPES03911

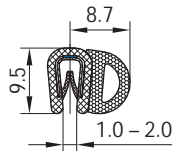


Material	Clamp	Color	Clamp. range [mm]	Pack Quant. [m]	Part #
EPDM / EPDM	Center bar	black	1.0 – 3.5	50	087SPES06911
CR / CR	Center bar	black	1.0 – 3.5	3 x 25	087SPES06912

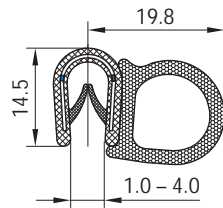


EDGE SEALING PROFILES

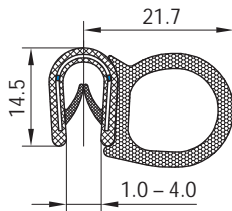
DESCRIPTION	Combination of edge protector and sealing profile; with split clamp; self-clamping
MATERIAL	Edge protector: PVC 78 Shore A ☒, PVC 57 Shore A transparent ☒ Clamp: Steel Sealing profile: Foam rubber EPDM or NBR ☒
SPECIALS	Edge protector: Other colors, Butyl sealant on request Sealing profile: Lubricant varnish, flocking, EMC film on request Clamp: Stainless steel, non-split, single-sided split on request Other cross-sections on request



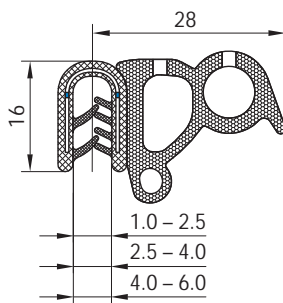
Material	Clamp	Color	Clamp. range [mm]	Pack Quant. [m]	Part #
EPDM / PVC	Center bar	black	1.0 – 2.0	100	087SPES01911



Material	Clamp	Color	Clamp. range [mm]	Pack Quant. [m]	Part #
EPDM / PVC	double bar	black	1.0 – 4.0	50	087SPES04911



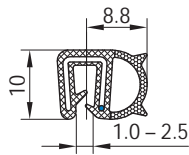
Material	Clamp	Color	Clamp. range [mm]	Pack Quant. [m]	Part #
EPDM / PVC	double bar	black	1.0 – 4.0	50	087SPES05911



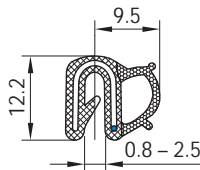
Material	Color	Clamping range [mm]	Pack Quant. [m]	Part #
EPDM / PVC	black	1.0 – 2.5	50	087SPES13911
EPDM / PVC	black	2.5 – 4.0	50	087SPES13912
EPDM / PVC	black	4.0 – 6.0	50	087SPES13913

EDGE SEALING PROFILES

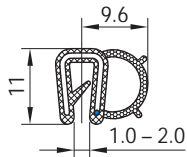
DESCRIPTION	Combination of edge protector and sealing profile; with wire clamp; self-clamping
MATERIAL	Edge protector: Soft rubber EPDM or NBR ☒☒☒ Clamp: Steel Sealing profile: Foam rubber EPDM or NBR ☒☒☒
SPECIALS	Edge protector: Other colors, Butyl sealant on request Sealing profile: Lubricant varnish, flocking, EMC film on request Finishing: Flame resistant, anti-fungal on request Clamp: Stainless steel, split on request Other cross-sections on request



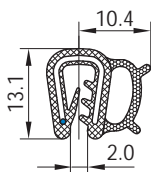
Material	Color	Clamping range (mm)	Pack Quant. (m)	Part #
EPDM / EPDM	black	1.0 – 2.5	100	087SPES07911



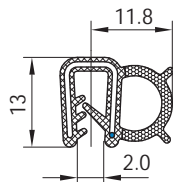
Material	Color	Clamping range (mm)	Pack Quant. (m)	Part #
EPDM / EPDM	black	0,8 – 2.5	2 x 50	087SPES08911



Material	Color	Clamping range (mm)	Pack Quant. (m)	Part #
EPDM / EPDM	black	1.0 – 2.0	2 x 50	087SPES09911



Material	Color	Clamping range (mm)	Pack Quant. (m)	Part #
EPDM / EPDM	black	2.0	2 x 50	087SPES10911

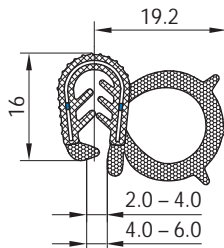


Material	Color	Clamping range (mm)	Pack Quant. (m)	Part #
EPDM / EPDM	black	2.0	2 x 50	087SPES11911
SILICONE	blue	2.0	2 x 50	087SPES11911-SI
EPDM / EPDM	blue	2.0	2 x 50	087SPES11911-BL
EPDM / EMI	black	2.0	2 x 50	087SPES11911-EMI
NBR / NBR	black	2.0	2 x 50	087SPES11912



EDGE SEALING PROFILES

DESCRIPTION	Combination of edge protector and sealing profile; with split double bar clamp; self-clamping
MATERIAL	Edge protector: Soft rubber EPDM or PVC 78 Shore A Clamp: Steel Sealing profile: Foam rubber EPDM
SPECIALS	Edge protector: Other colors, Butyl sealant on request Sealing profile: Lubricant varnish, flocking, EMC film on request Finishing: Flame resistant, anti-fungal on request Clamp: Stainless steel, split on request Other cross-sections on request

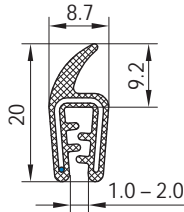


Material	Color	Clamping range (mm)	Pack Quant. (m)	Part #
EPDM / EPDM	black	2.0 – 4.0	3 x 25	087SPES12911
EPDM / EPDM	black	4.0 – 6.0	3 x 25	087SPES12912

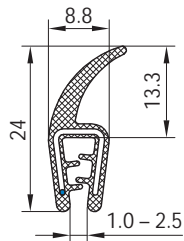


EDGE SEALING PROFILES

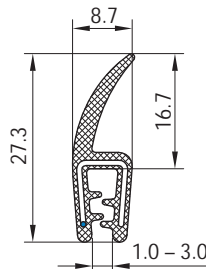
DESCRIPTION	Edge sealing profile; with wire clamp; self-clamping
MATERIAL	Edge protector- /sealing profile: soft rubber EPDM ☒ Clamp: Steel
SPECIALS	Edge protector: Other colors, Butyl sealant on request Finishing: Flame resistant, anti-fungal on request Sealing profile: Lubricant varnish, flocking, EMC film on request Clamp: Stainless steel on request



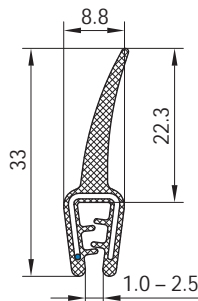
Color	Clamping range [mm]	Pack Quant. [m]	Part #
black	1.0 - 2.0	2 x 50	087SPET12911



Color	Clamping range [mm]	Pack Quant. [m]	Part #
black	1.0 - 2.5	3 x 50	087SPET13911



Color	Clamping range [mm]	Pack Quant. [m]	Part #
black	1.0 - 3.0	2 x 50	087SPET14911

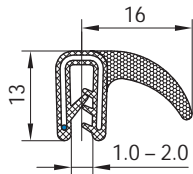


Color	Clamping range [mm]	Pack Quant. [m]	Part #
black	1.0 - 2.5	50	087SPET15911

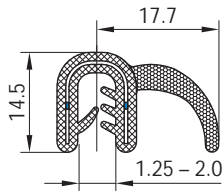


EDGE SEALING PROFILES

DESCRIPTION	Combination of edge protector and sealing profile; with wire clamp or split double bar clamp; self-clamping
MATERIAL	Edge protector: soft rubber EPDM ☒☒ or PVC 78 Shore A ☒, PVC 57 Shore A transparent ☒ Clamp: Steel Sealing profile: Foam rubber EPDM ☒☒
SPECIALS	Edge protector: Other colors, Butyl sealant on request Sealing profile: Lubricant varnish, flocking, EMC film on request Clamp: Split, non-split, single-sided split on request



Material	Clamp	Color	Clamp. range [mm]	Pack Quant. [m]	Part #
EPDM / EPDM	wire	black	1.0 – 2.0	2 x 50	087SPES14911



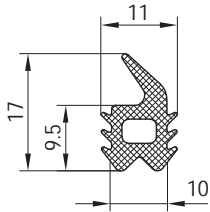
Material	Clamp (1)	Color	Clamp. range [mm]	Pack Quant. [m]	Part #
EPDM / EPDM	double bar	black	1,25 – 2.0	2 x 50	087SPES15911

(1) single-sided split

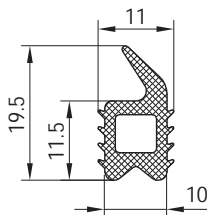


DOOR SEALING PROFILES

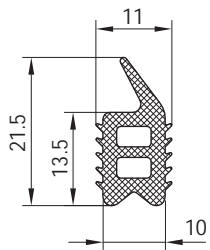
DESCRIPTION	For sealing doors and flaps; installed by pressing into 10 mm groove or sealing channel
MATERIAL	PVC 57 Shore A ☒
SPECIALS	Other colors on request



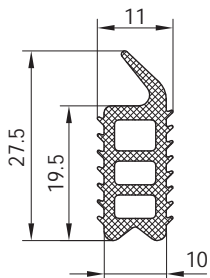
Color	Pack Quant. (m)	Part #
black	7 x 20	087SPST01911



Color	Pack Quant. (m)	Part #
black	7 x 20	087SPST02911



Color	Pack Quant. (m)	Part #
black	7 x 20	087SPST03911



Color	Pack Quant. (m)	Part #
black	5 x 20	087SPST04911

INDUSTRIAL HARDWARE CHAPTER 11: **HANDLES**



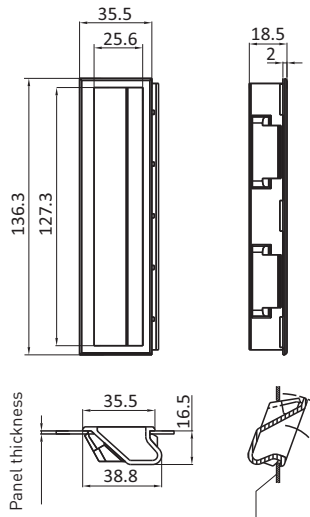
POCKET PULL HANDLES	258-261
CONCEALED PULL HANDLE	262
U SHAPE HANDLES	263
FOLDING HANDLES	264
SPECIAL HANDLES	264
U SHAPE HANDLES	265
COMFORT HANDLE	266
MACHINE HANDLE 240	267
MACHINE HANDLE 135	267
U SHAPE HANDLES	268
TUBES FOR SYSTEM HANDLE	269
END PIECES FOR SYSTEM HANDLE	270
HANDLE	271



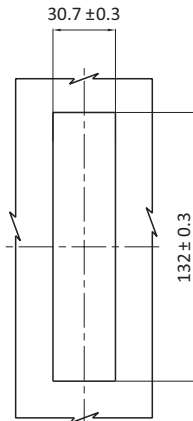
POCKET PULL HANDLES

DESCRIPTION	Concealed handle to mount on flaps and doors
MATERIAL	ABS
COLOR	Black

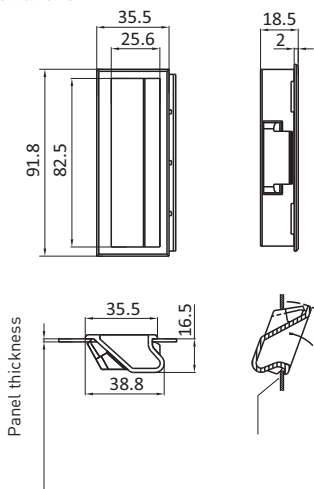
Large size



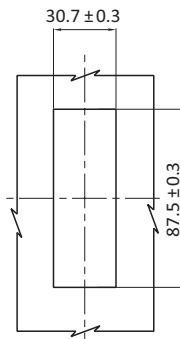
Panel cutout



Small size



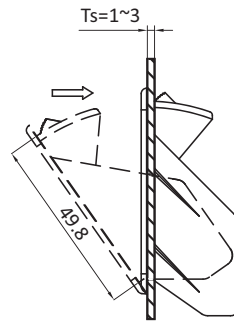
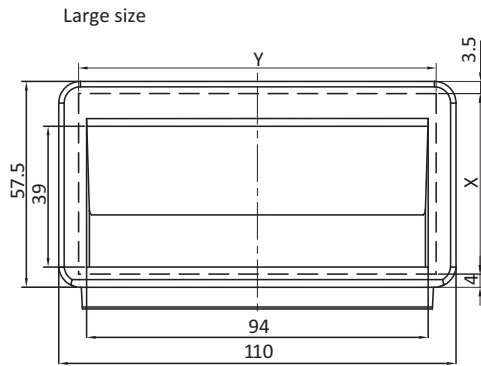
Panel cutout



Pocket Pull Handles	Panel Thickness [mm]	Large	Small
	1.0 - 1.4	0890008S01	0890009S01
	1.4 - 1.8	0890008S02	0890009S02
	1.8 - 2.1		0813472
	2.1 - 2.5		0813474
	1.5 - 2.5	0813471S01	

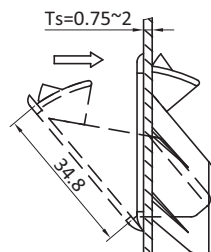
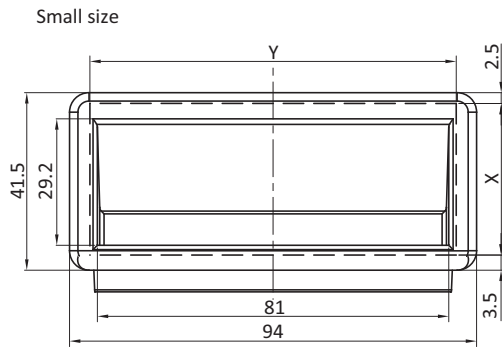
POCKET PULL HANDLE

DESCRIPTION	Concealed handle to mount on flaps and doors
MATERIAL	PA6 GF30
BOLOR	Black



Panel cutout

Ts(mm)	X	Y
1.5~2	49.8+0.2	99.5
2~3	50+0.3	99.5



Panel cutout

Ts(mm)	X	Y
0.75~1	35+0.2	85+0.3
1~2	36+0.2	85+0.3

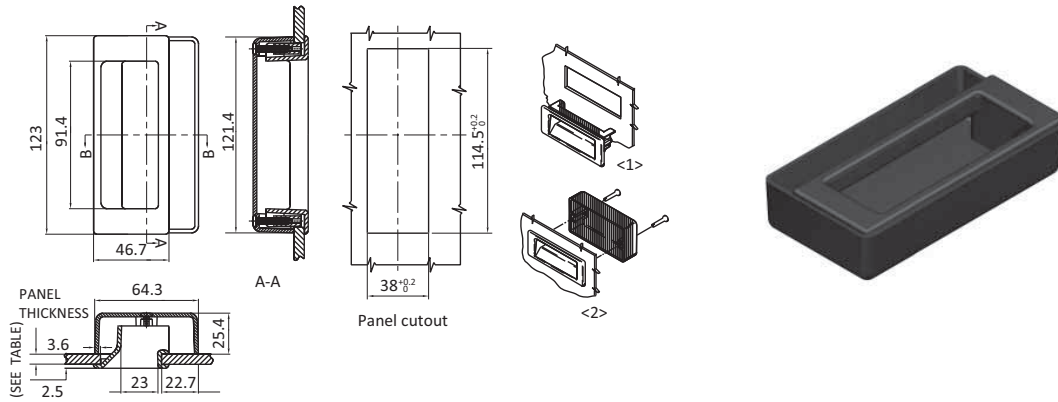
Pocket Pull Handle

Part #

Large	0890008
Small	0890009

POCKET PULL HANDLES

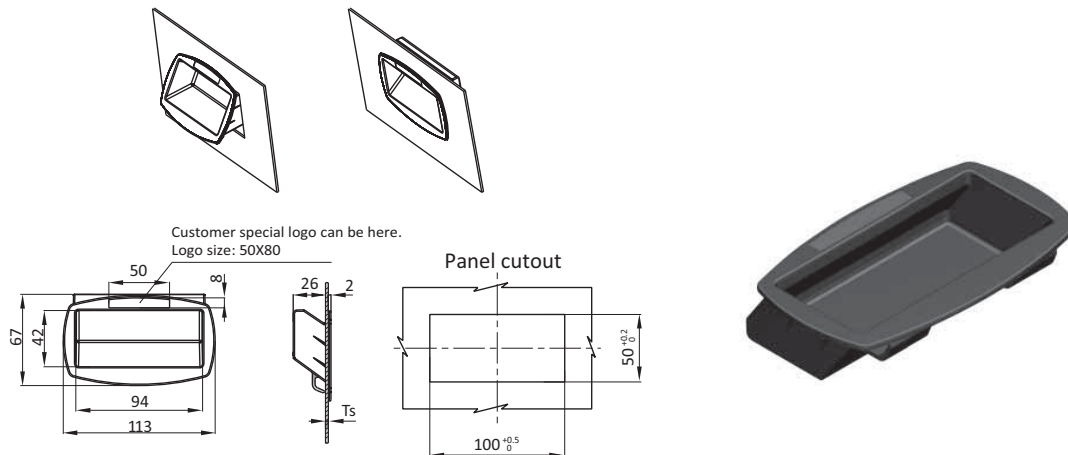
DESCRIPTION	Concealed handle to mount on flaps and doors
MATERIAL	PA + GF
COLOR	Black



Pocket Pull Handles	Panel Thickness (mm)	Part #
	1.0 - 1.8	0890143
	1.8 - 3.3	0890147
	3.3 - 4.8	0890144
	4.8 - 6.3	0890145

POCKET PULL HANDLES

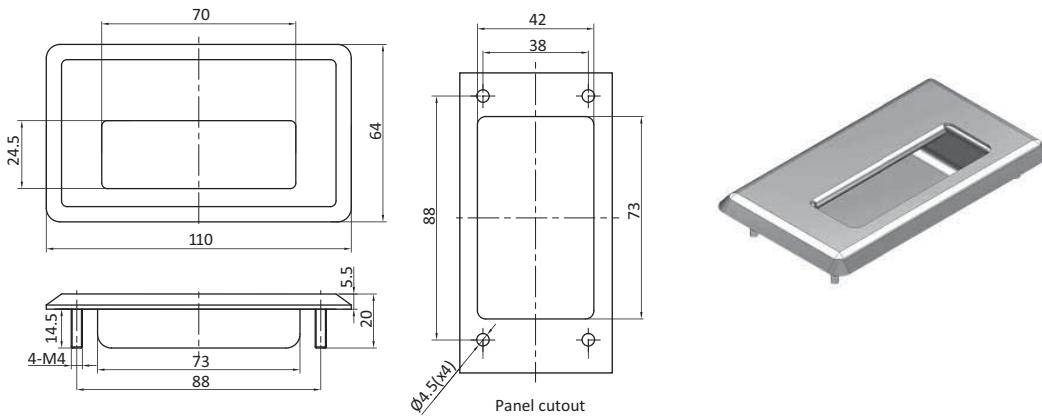
DESCRIPTION	Concealed handle to mount on flaps and doors
MATERIAL	PA + GF
COLOR	Black



Pocket Pull Handles	Panel Thickness (mm)	Part #
	1.0 - 1.2	0813466
	1.2 - 1.6	0813467

POCKET PULL HANDLE

DESCRIPTION	Concealed handle to mount on flaps and doors
MATERIAL	304 SS



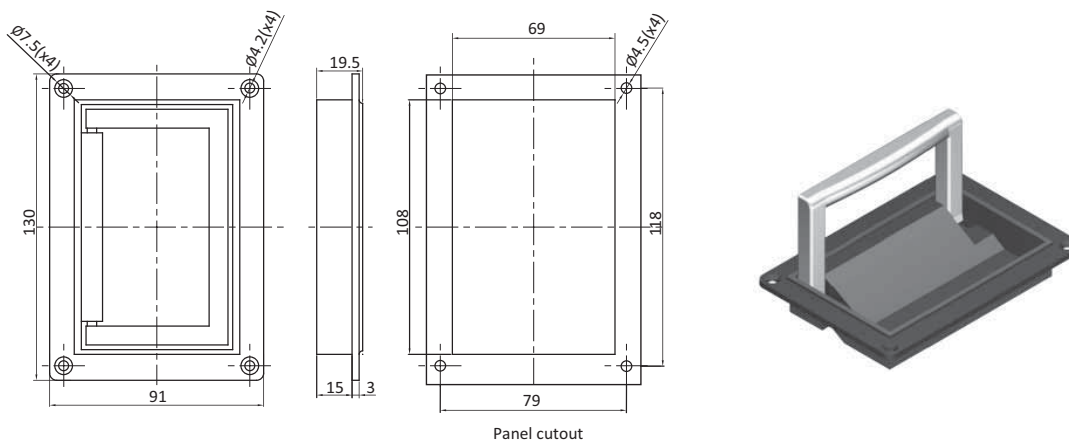
Pocket Pull Handle

Part #

0890126

POCKET PULL HANDLE

DESCRIPTION	Concealed handle to mount on flaps and doors
MATERIAL	Die cast zinc
SURFACE	Black powder coated



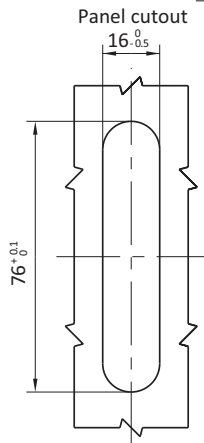
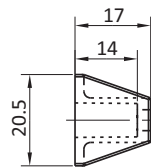
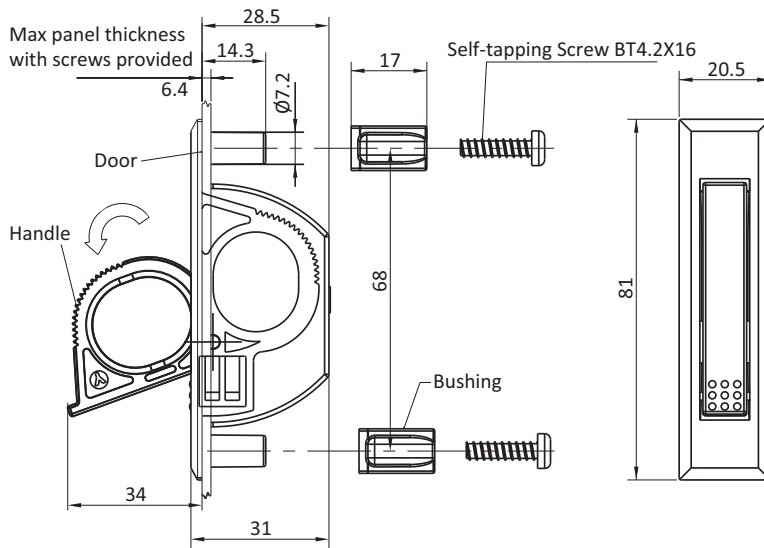
Pocket Pull Handle

Part #

0850022

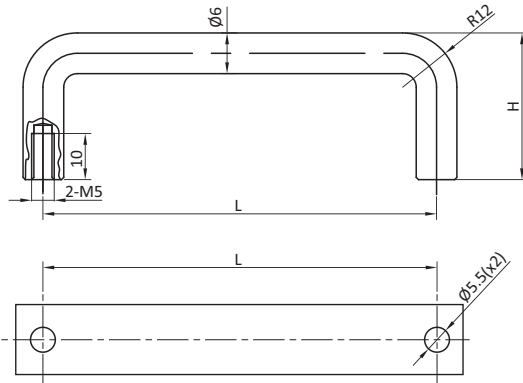
CONCEALED PULL HANDLE

DESCRIPTION	Concealed handle to mount on flaps and doors
MATERIAL	PA Housing 304 SS hardware
COLOR	Black



U SHAPE HANDLES

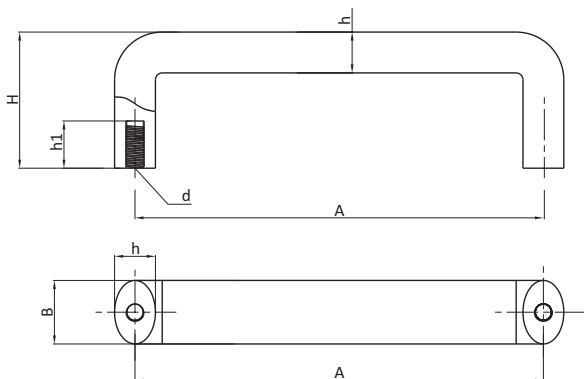
DESCRIPTION	To mount on flaps, doors, and aluminum profiles
MATERIAL	Mild Steel 304 SS
SURFACE	Chrome plated



L [mm]	H [mm]	304 SS	Mild Steel
87.0mm	40	0850007	0850012
100.0mm	40	0850008	0850013
120.0mm	40	0850009	0850014
135.0mm	40	0850010	0850015
150.0mm	40	0850011	0850016

U SHAPE HANDLES

DESCRIPTION	To mount on flaps, doors, and aluminum profiles
MATERIAL	PA6 GF30
COLOR	Black

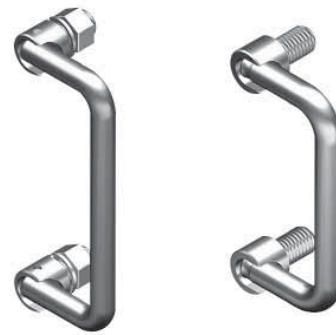
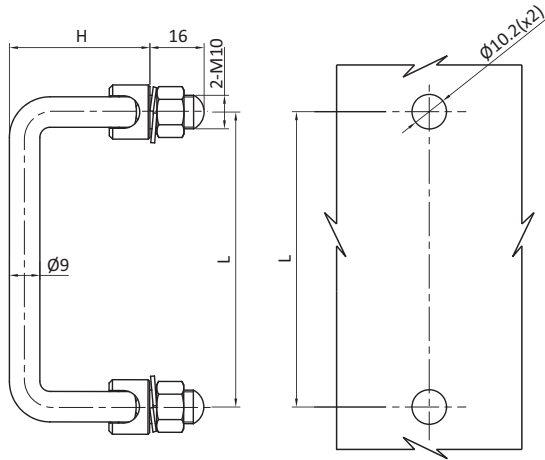


Description	A	H	d	h1	b	h	Part #
90 x M6	90	50	M6	14	28	18	0850018
120 x M8	120	60	M8	16	28	20	0850019
180 x M8	180	60	M8	16	28	20	0850020
240 x M8	240	60	M8	16	28	20	0850021

FOLDING HANDLES

DESCRIPTION	To mount on flaps and doors
MATERIAL	Mild Steel 304 SS
COLOR	Chrome plated

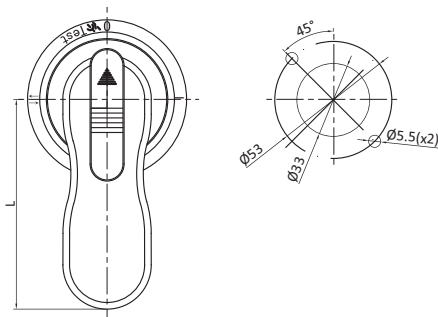
Folding Handles



L [mm]	H [mm]	304 SS	Mild Steel
87.0mm	H = 41.5	0850025	0850030
100.0mm	H = 41.5	0850026	0850031
120.0mm	H = 41.5	0850027	0850032
135.0mm	H = 41.5	0850028	0850033
150.0mm	H = 41.5	0850029	0850034

SPECIAL HANDLES

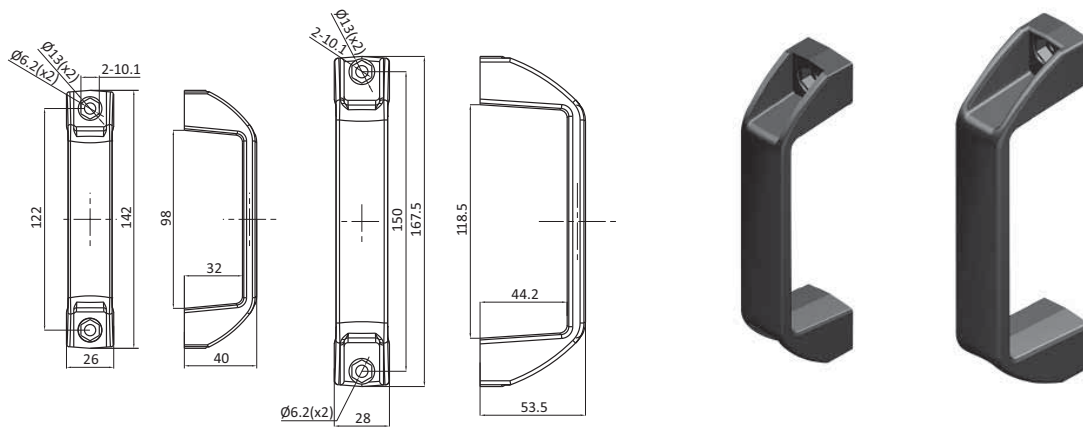
DESCRIPTION	Concealed handle to mount on flaps and doors
MATERIAL	Mild Steel 304 SS
COLOR	Chrome plated



Pocket Pull Handles	Size [mm]	Black	Grey
	45	0890127	0890128
	65	0890129	0890130
	95	0890131	0890132
	120	0890133	0890134

U SHAPE HANDLES

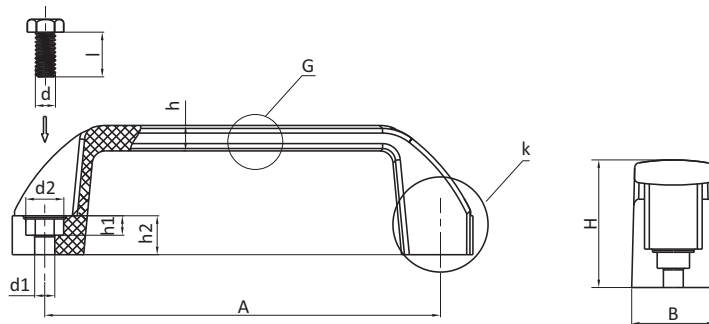
DESCRIPTION	To mount on flaps, doors, and aluminum profiles
MATERIAL	PA6 GF30
COLOR	Black



U Shape Handles	L [mm]	Part #
	122.0	092001
	150.0	0813445

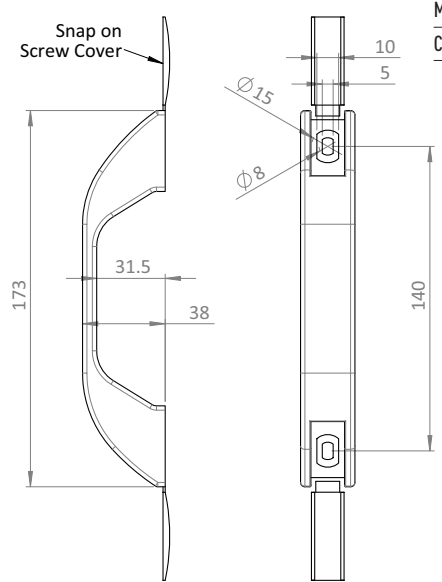
U SHAPE HANDLES

DESCRIPTION	To mount on flaps, doors, and aluminum profiles
MATERIAL	Aluminum alloy
SURFACE	Black powder coat



Description	A	d1	d2	h1	h2	B	H	h	Part #
90 x M6	90	M6	12	7	12	20	36	6	0850003
120 x M8	120	M8	15	9	15	26	40	7	0850004
180 x 8.5	180	M8	15	9	18	28	50	8	0850005

COMFORT HANDLE



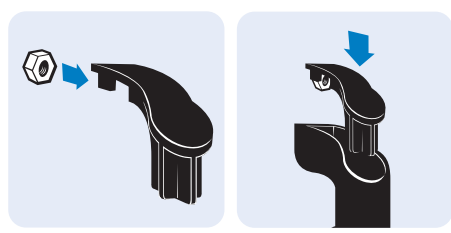
DESCRIPTION	To mount on flaps, doors, and aluminum profiles
MATERIAL	PA6 GF30
COLOR	Black



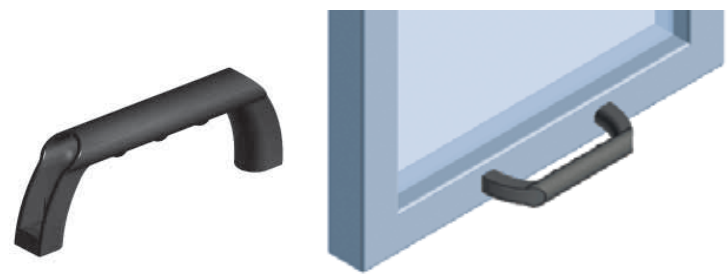
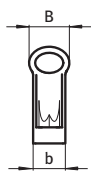
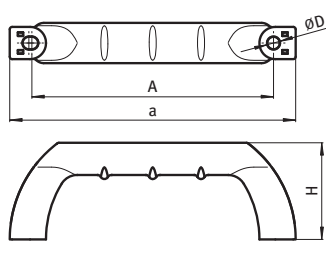
U Shape Handle

Part #

0850290



DESCRIPTION	To mount on doors, flaps and aluminum profiles
MATERIAL	Nylon PA, glass ball reinforced
COLOR	Black
FASTENING	From the front with hexagon screws From the back with screws and with nuts inserted into the cover caps
SPECIALS	Other colors on request

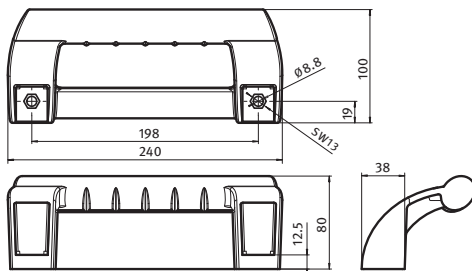


Comfort Handle			D	a	A	b	B	H	Weight [g]	Part #	
	for Screw	for Nut	[mm]	[mm]	[mm]	[mm]	[mm]	[mm]			
	120	M6	-	6.2	142.0	120.0	17.0	20.0	48.0	26.2	092300
	160	M8	-	8.2	188.0	160.0	27.0	30.0	60.0	53.8	092302
	200	M8	-	8.2	236.0	200.0	36.0	38.0	75.0	90.6	092304
	Set of cover caps 120*	M6	-	-	-	-	-	-	-	4.0	092301
	Set of cover caps 160*	M8	-	-	-	-	-	-	-	10.0	092303
	Set of cover caps 200*	M8	-	-	-	-	-	-	-	20.0	092305

* Please note: 1 set = 2 pieces

MACHINE HANDLE 240

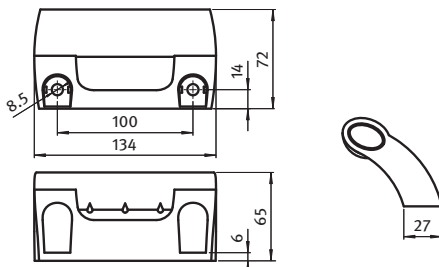
DESCRIPTION	Large machine handle with ergonomic design and finger protection; to mount on doors, flaps and aluminum profiles; with cover caps
MATERIAL	Nylon PA, glass ball reinforced
COLOR	Black
FASTENING	From the front with hexagon cap screws or socket head screws, or from the back using M8 hexagon nuts and bolts
SPECIALS	? electrostatically conductive, other sizes, other colors on request



Machine handle	for Screw	Weight [g]	Part #
	M8	356.0	092008
Handle Cap			092010

MACHINE HANDLE 135

DESCRIPTION	Machine handle with ergonomic design and finger protection; to mount on doors, flaps and aluminum profiles; optional with cover caps
MATERIAL	Nylon PA, glass ball reinforced
COLOR	Black
FASTENING	With hexagon cap screws or socket head screws
SPECIALS	? electrostatically conductive, other sizes, other colors on request

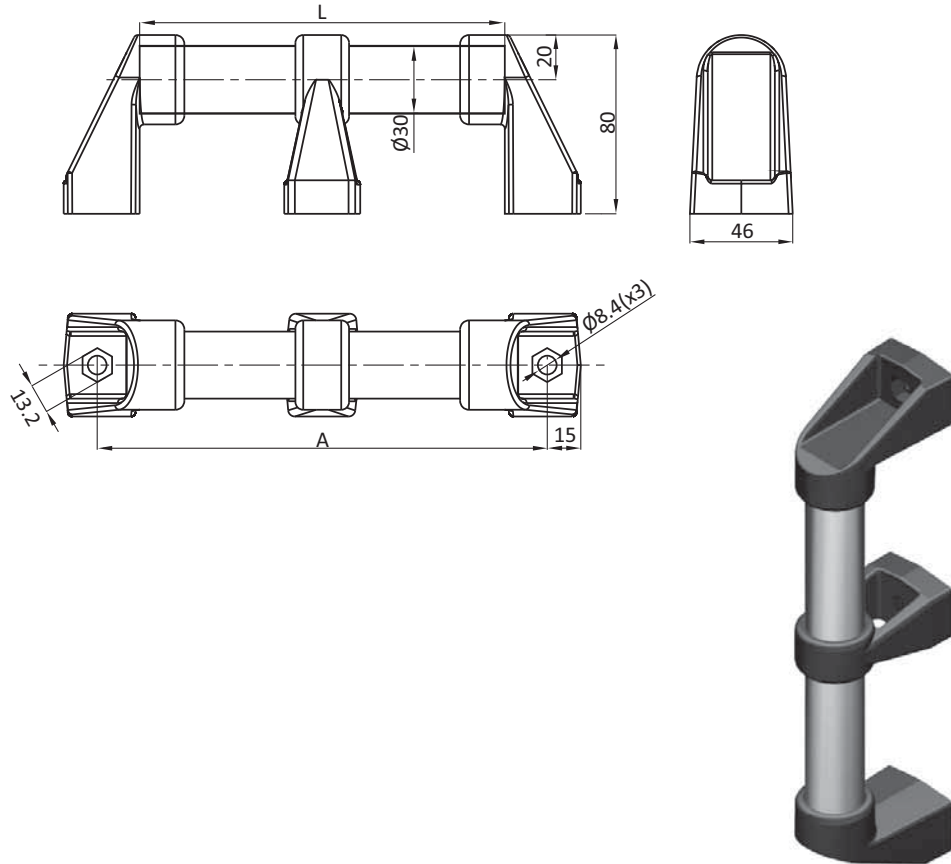


Machine handle	for Screw	Weight [g]	Part #
	M8	114.0	092009
Set of cover caps*	-	3.0	092010

* Please note: 1 set = 2 pieces

U SHAPE HANDLES

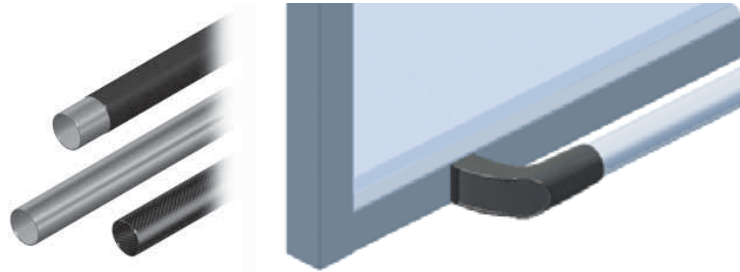
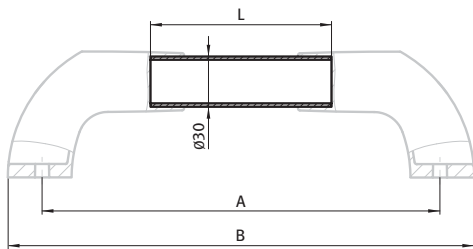
DESCRIPTION	To mount on flaps, doors, and aluminum profiles
MATERIAL	Mild Steel, PA
SURFACE	Chrome plated, Black



U Shape Handles	L [mm]	A [mm]	Mild Steel
	266.0mm	300.0mm	0813455
	366.0mm	400.0mm	0813456
	466.0mm	500.0mm	0813457
	566.0mm	600.0mm	0813458
	666.0mm	700.0mm	0813459
	766.0mm	800.0mm	0813460

TUBES FOR SYSTEM HANDLE

DESCRIPTION	for combining with the end pieces
FASTENING	End pieces for system handle
PACK QUANTITY	10 pieces
SPECIALS	Other surfaces, other colors on request

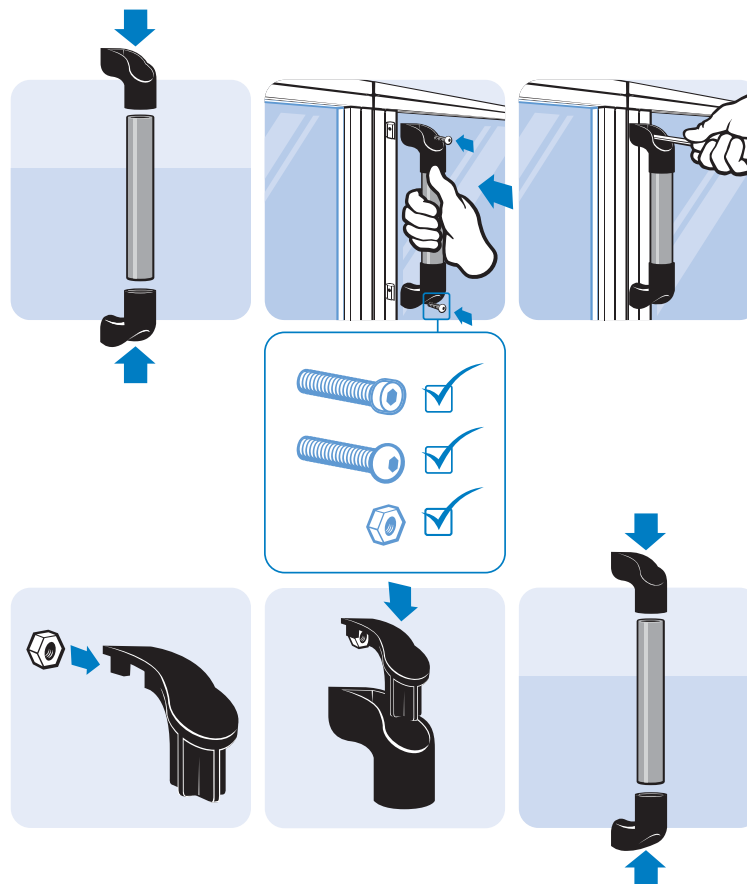
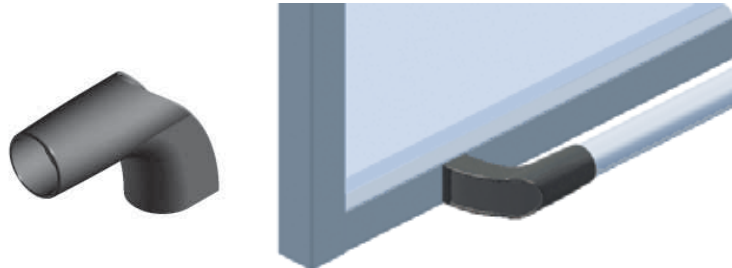
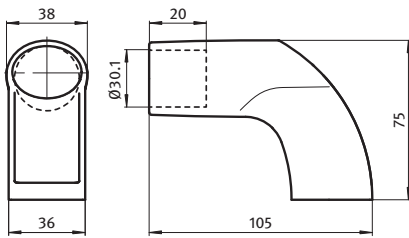


	A	L	B	Weight [g]	Part #
<i>Tubes for System Handle</i>	[mm]	[mm]	[mm]		
<i>Carbon fibre, glossy finish</i>	200.0	70.0	240.8	16.0	092013C200
	300.0	170.0	340.8	39.0	092013C300
	400.0	270.0	440.8	62.0	092013C400
	500.0	370.0	540.8	85.0	092013C500
	-	2000.0*	-	364.0	092013C.2000
<i>Aluminum, anodized</i>	200.0	70.0	240.8	17.0	092013A200
	300.0	170.0	340.8	42.0	092013A300
	400.0	270.0	440.8	67.0	092013A400
	500.0	370.0	540.8	91.0	092013A500
	-	2000.0*	-	490.0	092013A.2000
<i>Stainless steel</i>	200.0	70.0	240.8	51.0	092013E200
	300.0	170.0	340.8	124.0	092013E300
	400.0	270.0	440.8	197.0	092013E400
	500.0	370.0	540.8	270.0	092013E500
	-	2000.0*	-	1400.0	092013E.2000
<i>Steel, plastic covered</i>	200.0	70.0	240.8	53.0	092013S200
	300.0	170.0	340.8	120.0	092013S300
	400.0	270.0	440.8	203.0	092013S400
	500.0	370.0	540.8	279.0	092013S500
	-	2000.0*	-	1500.0	092013S.2000

* for cut to length. See page 250 for end pieces and cover caps

END PIECES FOR SYSTEM HANDLE

DESCRIPTION	To mount on doors, flaps and aluminum profiles
MATERIAL	Nylon PA, glass ball reinforced
COLOR	Black
FASTENING	From the front with hexagon screws From the back with screws and with M8 nuts inserted into the cover caps
PACK QUANTITY	10 sets
SPECIALS	Other colors on request

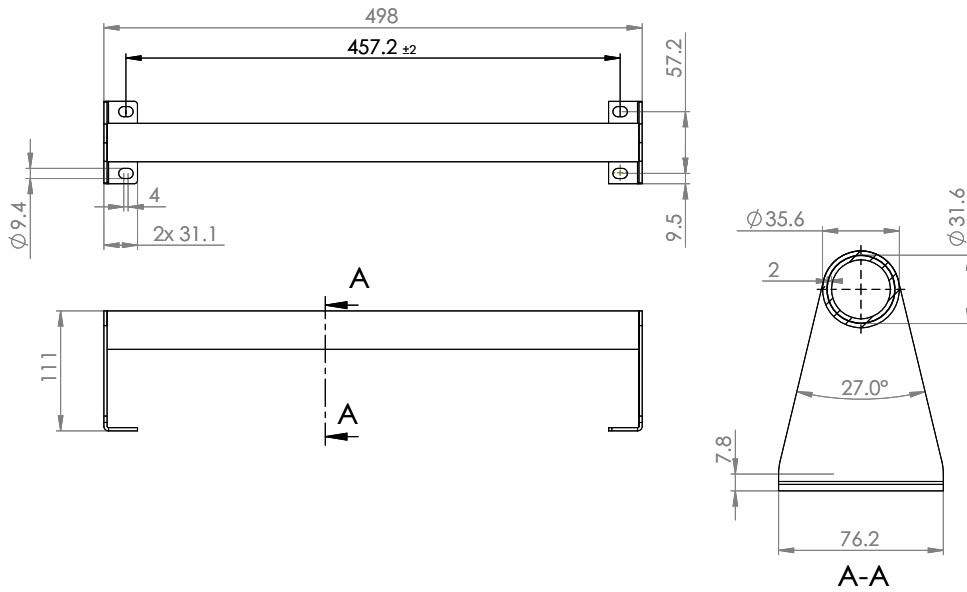


End Pieces for System Handle	for Screw	for Nut	Weight [g]	Part #
Set of end pieces*	M8	-	49.5	092013
Set of cover caps*	-	M8	20.3	092305

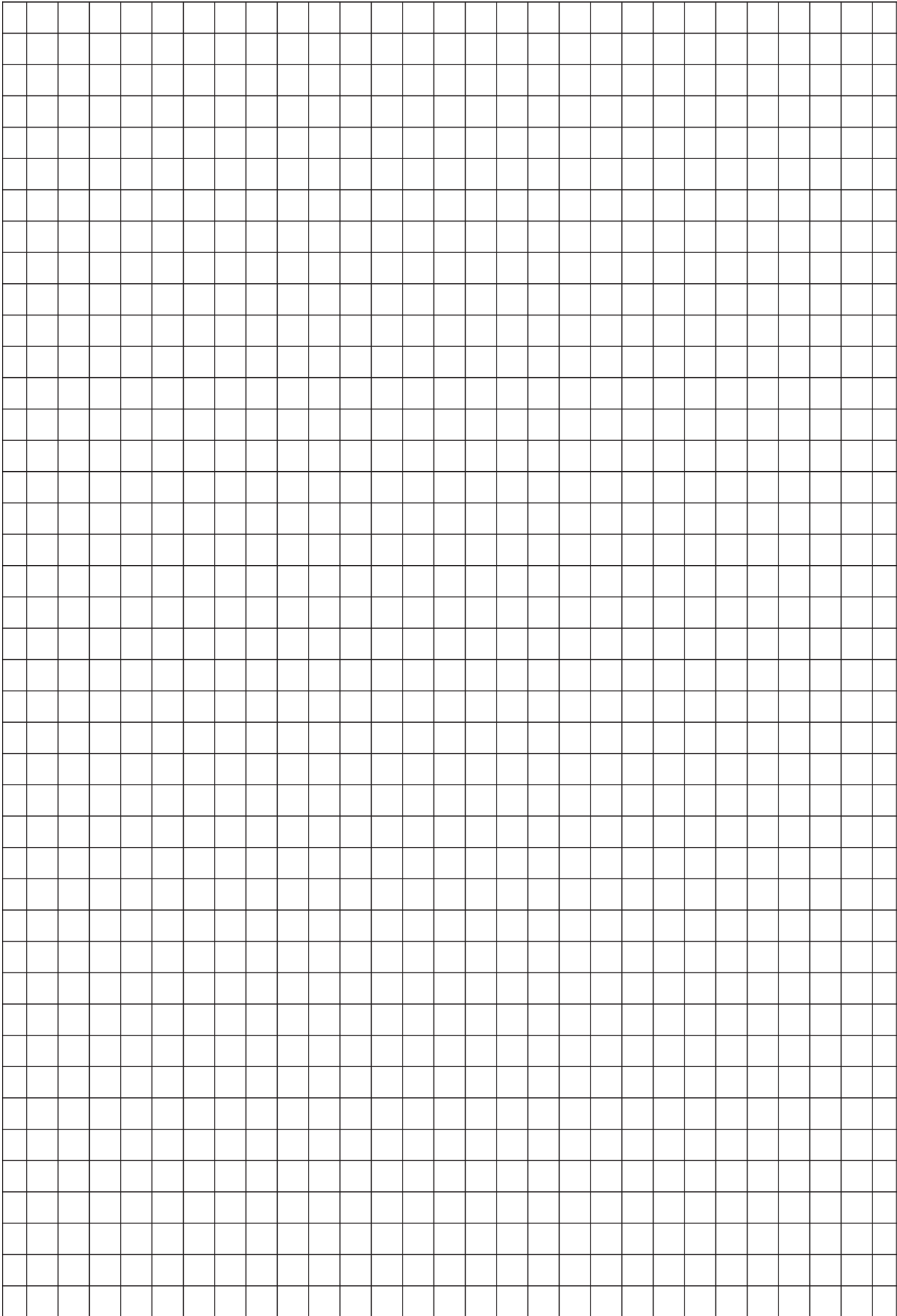
* Please note: 1 set = 2 pieces

HANDLE

DESCRIPTION	To mount on doors, flaps and aluminum profiles
MATERIAL	Bar: Rubber coated galvanized pipe End Brackets: Nickel plated steel
FASTENING	From the front with hexagon screws
PACK QUANTITY	10 sets



Handle	L [mm]	Part #
	498mm	092014



NEW

INDUSTRIAL HARDWARE CHAPTER 12: HVAC HARDWARE LINE



HVAC LATCHES	274
HVAC LATCH INTERNAL CAM	275
HVAC LATCHES	276
HVAC LATCH EXTERNAL CAM	277
HVAC LATCH CAM ASSEMBLY	278
HVAC HANDLE	279
HVAC CAMS	281
HVAC ACCESSORIES	282-283
HVAC BRIDGE CLAMP SYSTEM	284
HVAC CLAMPS	285
HVAC FUNCTIONAL LOCKING HINGE	286
HVAC LOCK	287
HVAC LOCK T HANDLE	288
HVAC LOCK L HANDLE	289
SLAM/SLIDE LATCHES COMPACT	290
EMERGENCY OPENER FOR SLAM LATCHES	291
HVAC HINGE	292
SCREW-ON HINGE	293-296
STAMPED METAL HINGES	296
SCREW-ON HINGE	297-297

QTL

COL

SLA

SWH

ASH

SFH

SCH

COH

ACC

GSK

HAN

HVA

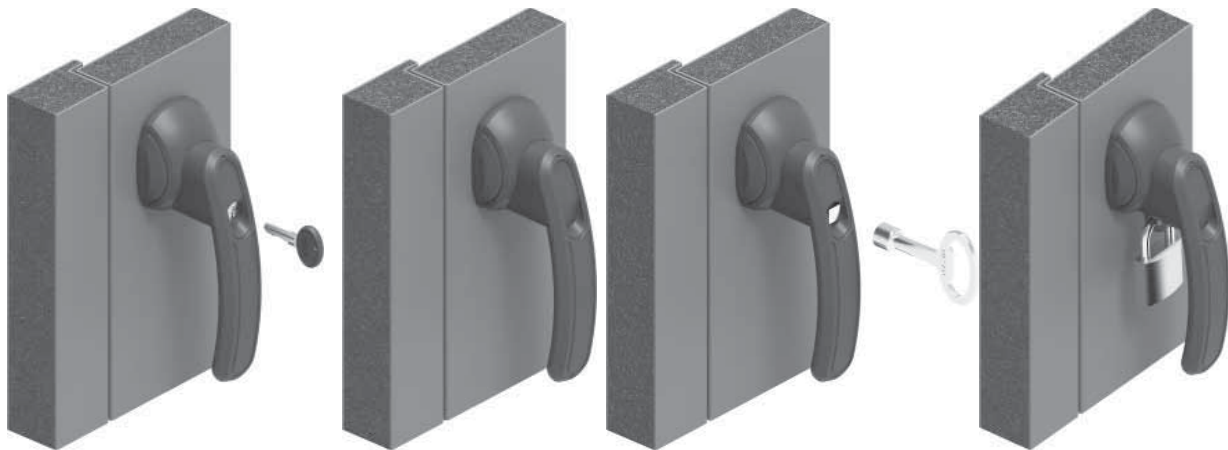
CST

HVAC LATCHES

OUTWARD OPENING DOORS

- Hassle-free and easy mounting
- Provides secure locking
- Suitable for different door thicknesses
- Complies with IP66 protection standard
- Adjustable grip length

Locking Options



Cylinder

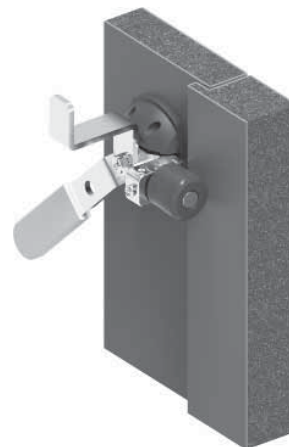
Without
Cylinder

Driver

Padlockable



Adjustable
Cam



Safety Interior
Handle With
Saftey Cam

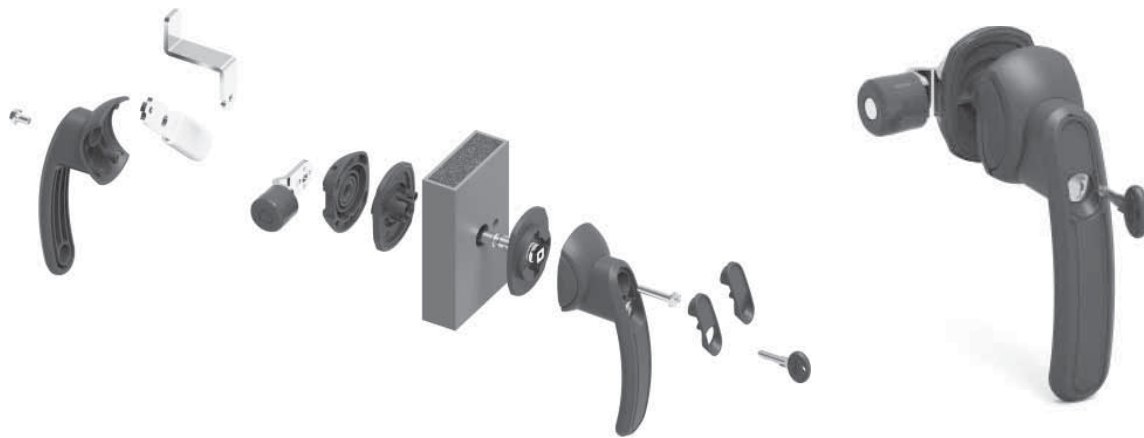
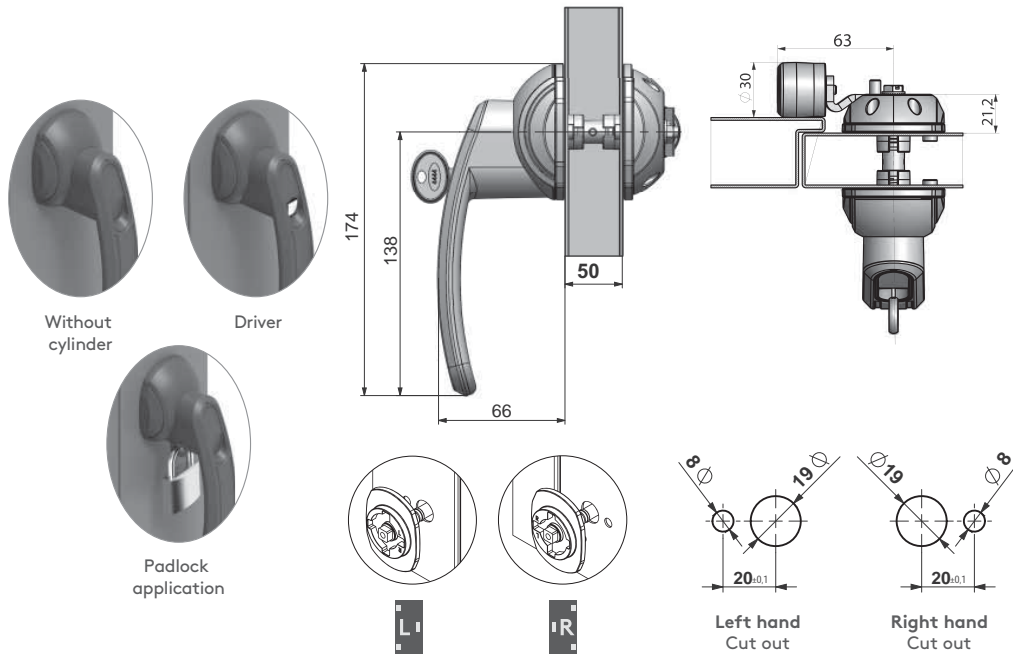


Safety Interior
Handle



HVAC LATCH INTERNAL CAM

DESCRIPTION	HVAC Lock For Internal Application
MATERIAL	Handle: PA6 GF30 Cam: Steel, PA6 GF30 Gasket: Polyurethane
COLOR	Black
CAM	See page 277 for cam options



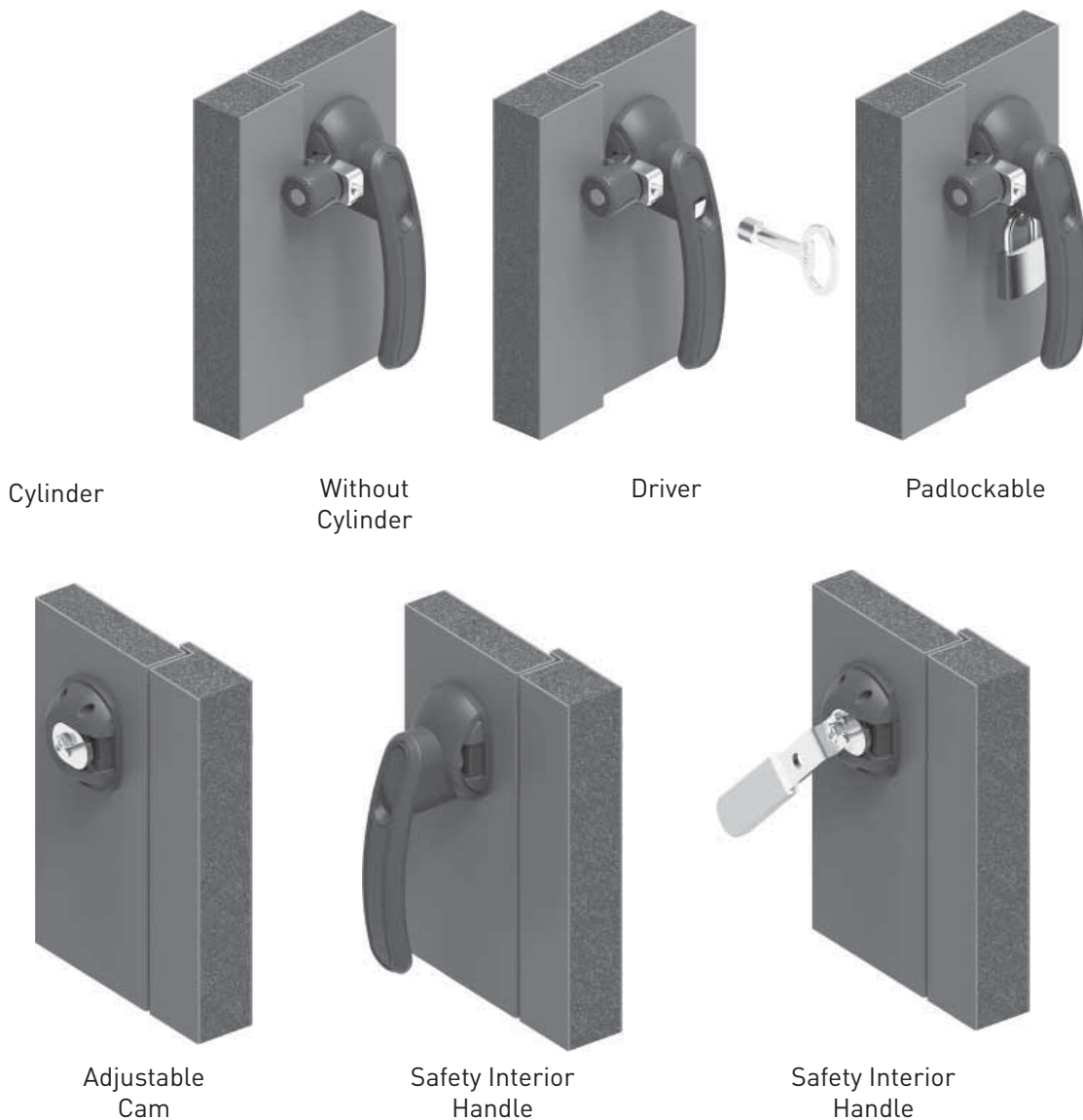
	Panel Thickness [mm] Part #						
	Slide Latch	30	40	50	60	70	80
Without Cylinder		0850300S30	0850300S40	0850300S50	0850300S60	0850300S70	0850300S80
Keyed Alike		0850301S30	0850301S40	0850301S50	0850301S60	0850301S70	0850301S80
Keyed Different		0850302S30	0850302S40	0850302S50	0850302S60	0850302S70	0850302S80
FH333		0850303S30	0850303S40	0850303S50	0850303S60	0850303S70	0850303S80
8mm Square		0850304S30	0850304S40	0850304S50	0850304S60	0850304S70	0850304S80
10mm Square		0850305S30	0850305S40	0850305S50	0850305S60	0850305S70	0850305S80
7mm Triangle		0850306S30	0850306S40	0850306S50	0850306S60	0850306S70	0850306S80
8mm Triangle		0850307S30	0850307S40	0850307S50	0850307S60	0850307S70	0850307S80

HVAC LATCHES

INWARD OPENING DOORS

- Hassle-free and easy mounting
- Provides secure locking
- Suitable for different door thicknesses
- Complies with IP66 protection standard
- Adjustable grip length

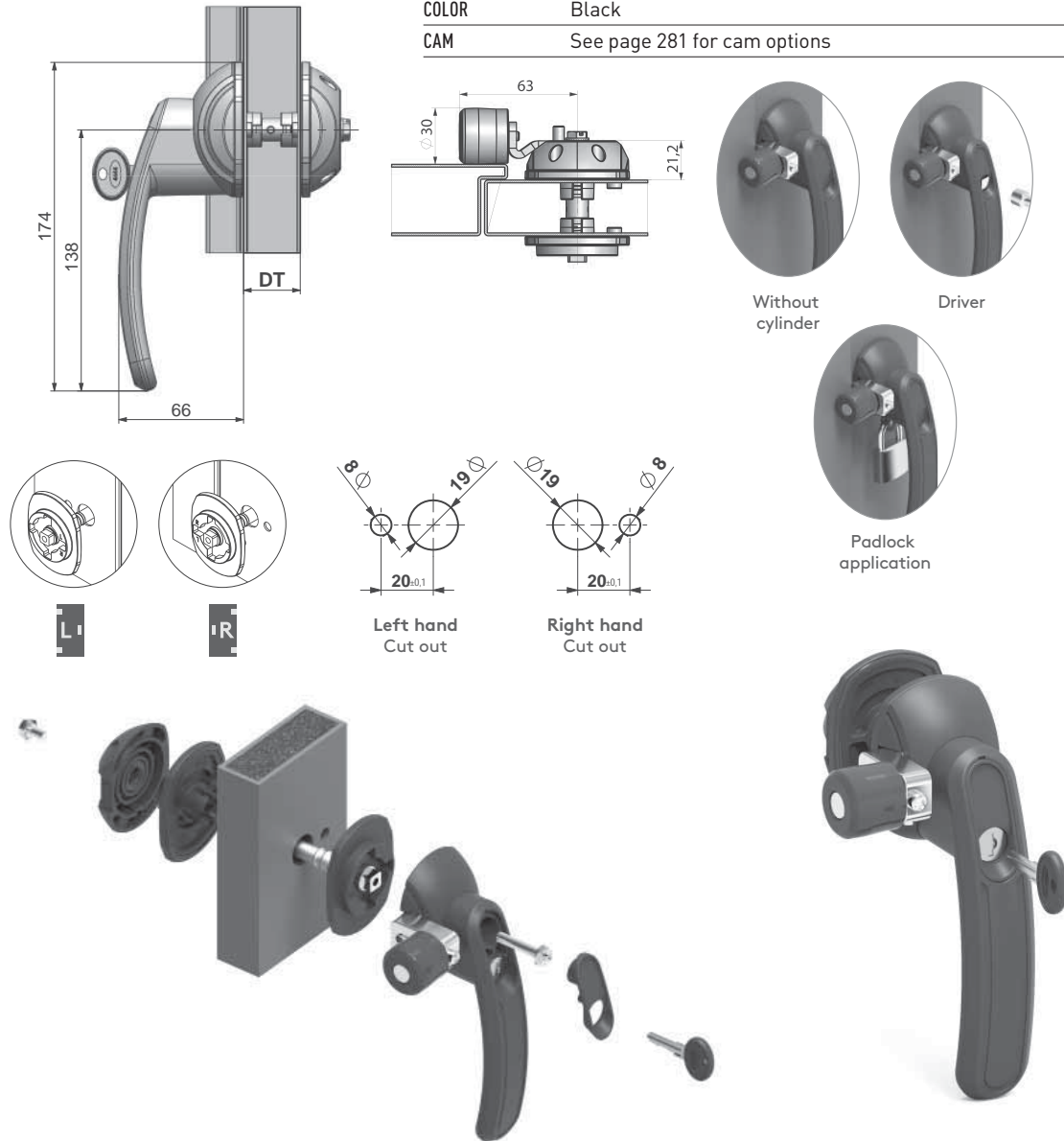
Locking Options





HVAC LATCH EXTERNAL CAM

DESCRIPTION	HVAC Lock For External Application
MATERIAL	Handle: PA6 GF30 Cam: Steel, PA6 GF30 Gasket: Polyurethane
COLOR	Black
CAM	See page 281 for cam options

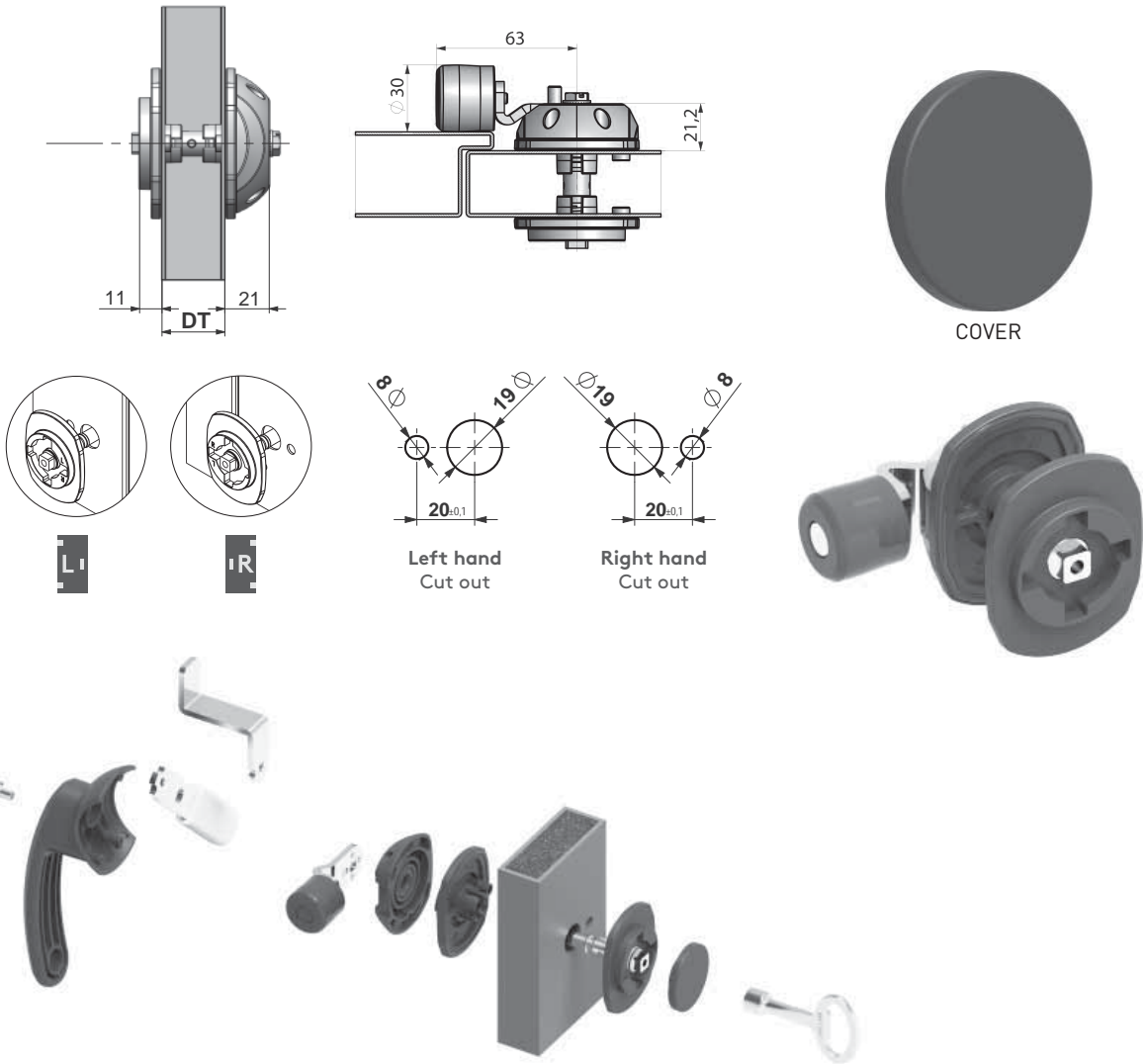


Slide Latch	Panel Thickness [mm] Part #					
	30	40	50	60	70	80
Without Cylinder	0850308S30	0850308S40	0850308S50	0850308S60	0850308S70	0850308S80
Keyed Alike	0850309S30	0850309S40	0850309S50	0850309S60	0850309S70	0850309S80
Keyed Different	0850310S30	0850310S40	0850310S50	0850310S60	0850310S70	0850310S80
FH333	0850311S30	0850311S40	0850311S50	0850311S60	0850311S70	0850311S80
8mm Square	0850312S30	0850312S40	0850312S50	0850312S60	0850312S70	0850312S80
10mm Square	0850313S30	0850313S40	0850313S50	0850313S60	0850313S70	0850313S80
7mm Triangle	0850314S30	0850314S40	0850314S50	0850314S60	0850314S70	0850314S80
8mm Triangle	0850315S30	0850315S40	0850315S50	0850315S60	0850315S70	0850315S80



HVAC LATCH CAM ASSEMBLY

DESCRIPTION	HVAC Cam Assemblies
MATERIAL	PA6 GF30 Cam: Steel, PA6 GF30 Gasket: Polyurethane
COLOR	Black
CAM	See page 281 for cam options



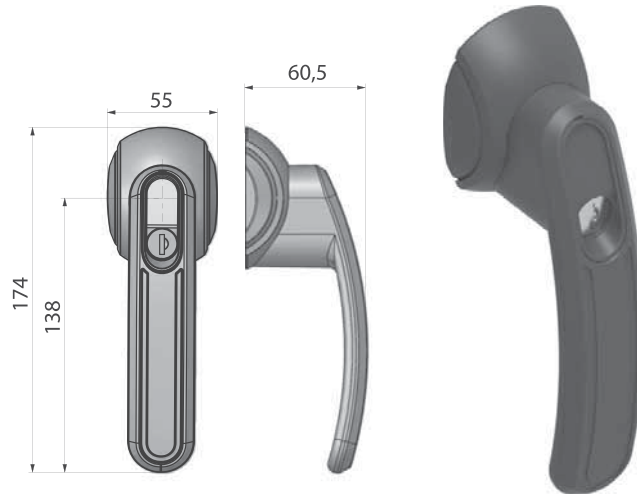
Panel Thickness [mm]	Part #
30	0850316
40	0850317
50	0850318
60	0850319
70	0850320
80	0850321
COVER	0850322



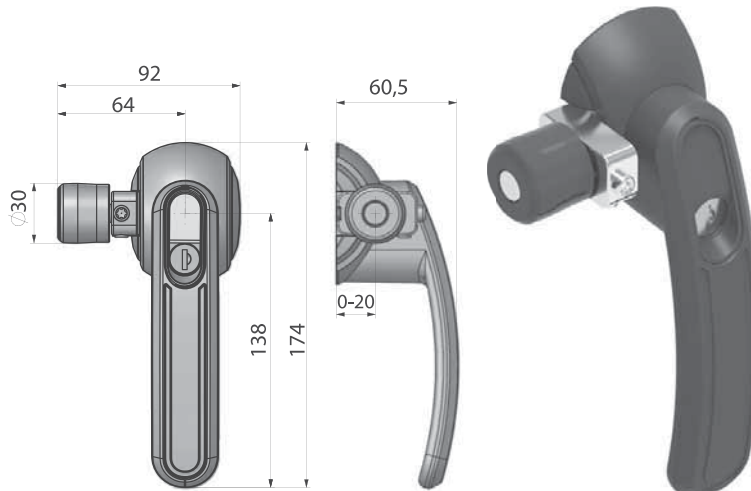
HVAC HANDLE

DESCRIPTION	HVAC Handles
MATERIAL	Handle: PA6 GF30 Cam: Steel, PA6 GF30 Gasket: Polyurethane
COLOR	Black
CAM	See page 281 for cam options

Handle for outward opening doors



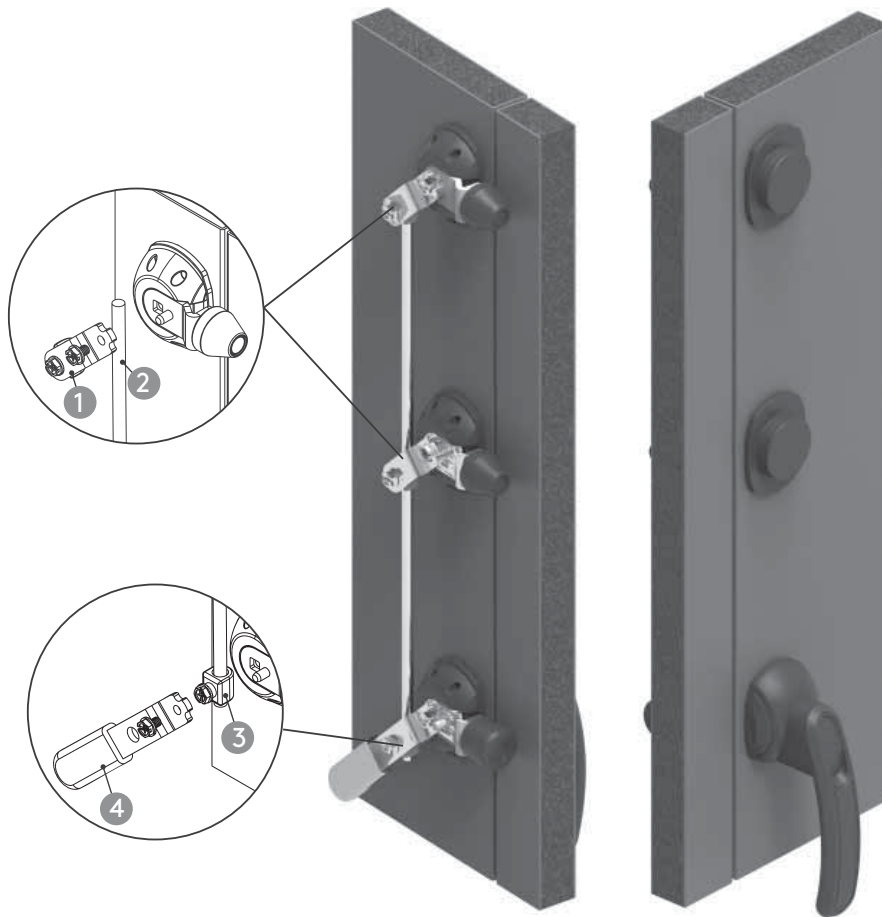
Handle for inward opening doors



	Panel Thickness (mm) Part #						
	Handle	30	40	50	60	70	80
Handle For Outward Opening Doors		0850323S30	0850323S40	0850323S50	0850323S60	0850323S70	0850323S80
Handle For Inward Opening Doors		0850324S30	0850324S40	0850324S50	0850324S60	0850324S70	0850324S80

HVAC LATCHES

MULTIPOINT LOCKING SYSTEM

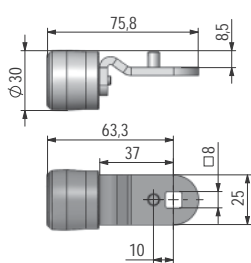


- Customizable Solutions
- Multiple Locking Unit
- Rods
- Rod Adapters
- Safety Interior Handle

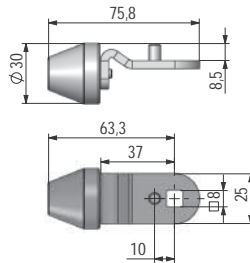
HVAC CAMS

DESCRIPTION	HVAC Cams
MATERIAL	Handle: PA6 GF30 Cam: Steel, PA6 GF30 Gasket: Polyurethane
COLOR	Black

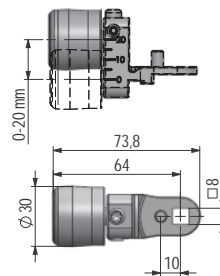
Fixed Cam
With Round Roller



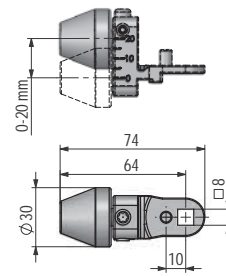
Fixed Cam
With Triangle Roller



Adjustable Cam
With Round Roller



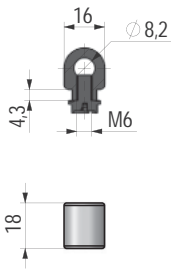
Adjustable Cam
With Triangle Roller



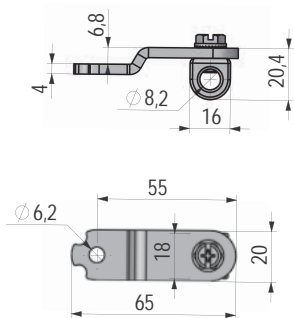
Cam Type	Part #
Fixed Cam With Round Roller	0850325
Fixed Cam With Triangle Roller	0850326
Adjustable Cam With Round Roller	0850327
Adjustable Cam With Triangle Roller	0850328

HVAC ACCESSORIES

DESCRIPTION	HVAC Lock For Internal Application
MATERIAL	Handle: PA6 GF30 Cam: Steel, PA6 GF30 Gasket: Polyurethane
COLOR	Black



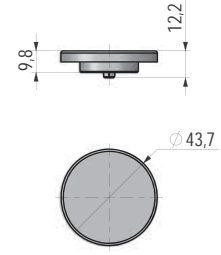
Rod Adapter



Multiple Locking Unit



Rod

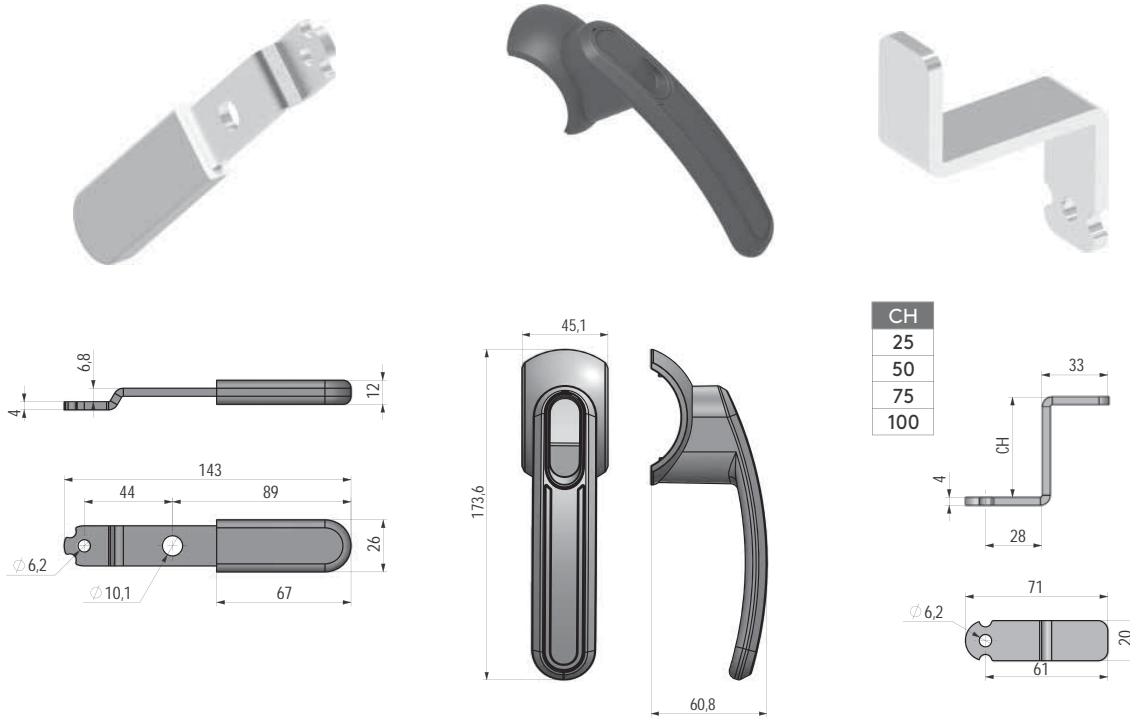


Cover

Cam Type	Part #
Rod Adapter	0850329
Multiple Locking Unit	0850330
Rod (Specify Lenght L)	0850331 "L"
Cover	0850322

HVAC ACCESSORIES

DESCRIPTION	HVAC Lock For Internal Application
MATERIAL	Handle: PA6 GF30 Cam: Steel, PA6 GF30 Gasket: Polyurethane
COLOR	Black



Safety Interior Handle

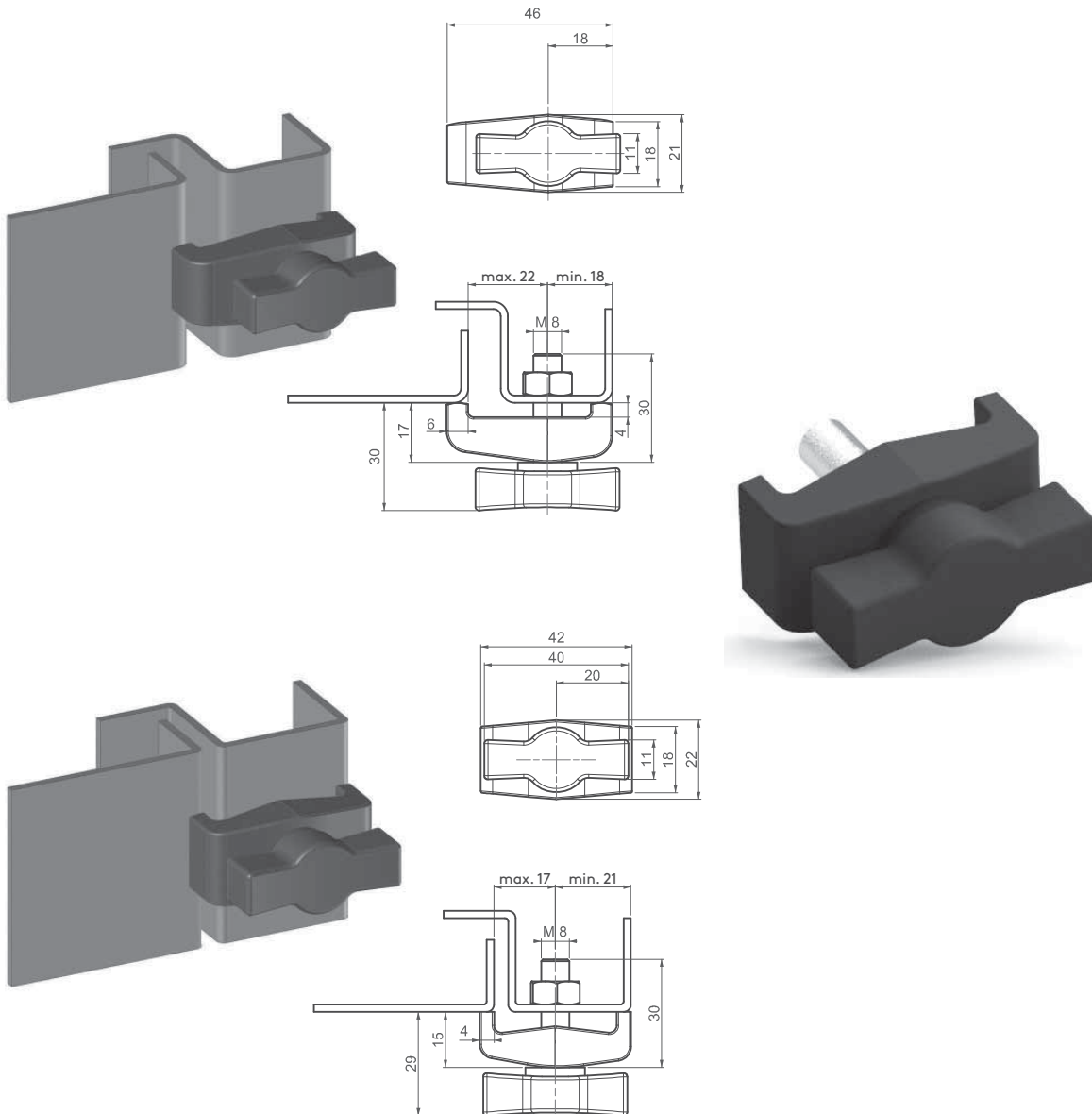
Safety Interior Handle

Safety Cam

Cam Type	CH (mm)	Part #
Safety Interior Handle		0850332
Safety Interior Handle		0850333
Safety Cam	25	0850334S25
	50	0850334S50
	75	0850334S75
	100	0850334S100

HVAC BRIDGE CLAMP SYSTEM

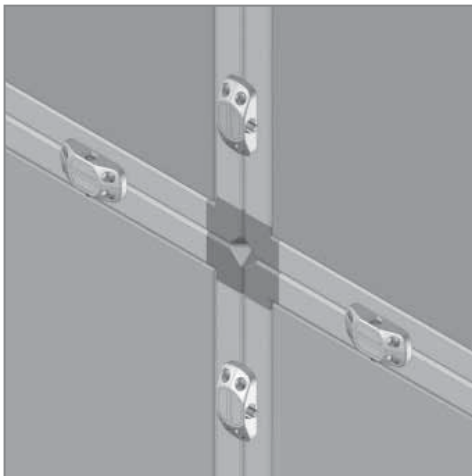
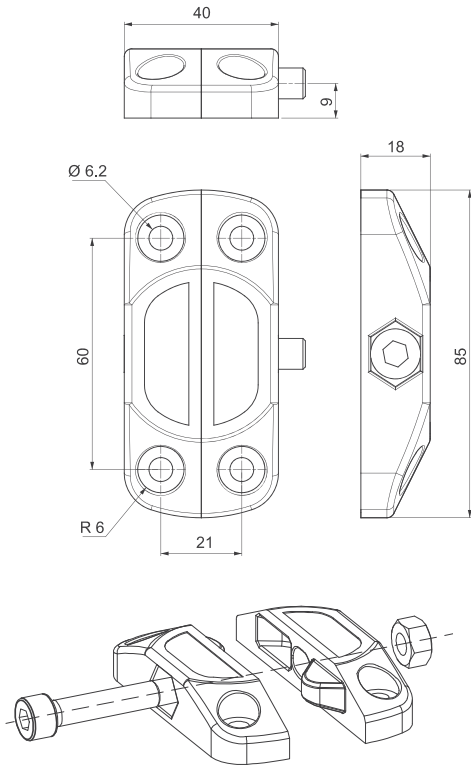
DESCRIPTION	HVAC Bridge Clamp System
MATERIAL	Housing: PA6 GF30 Knob: PA6 GF30 Screw: Steel Zinc Plated
COLOR	Black



Clamp Range	Part #
22.0 x 18.0 Max	0850336
17.0 x 21.0 Max	0850337

HVAC CLAMPS

DESCRIPTION	HVAC Clamp
MATERIAL	Body: Zinc Screw and Nut: Steel Zinc Plated
COLOR	Noted in Table

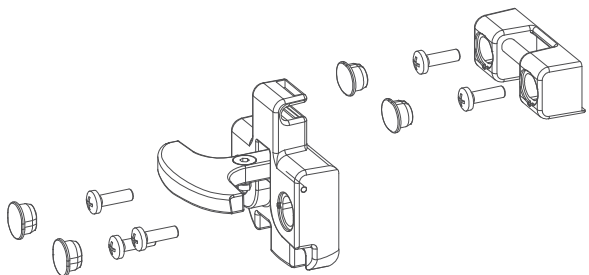
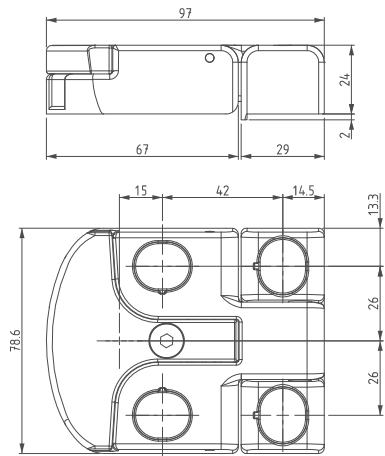
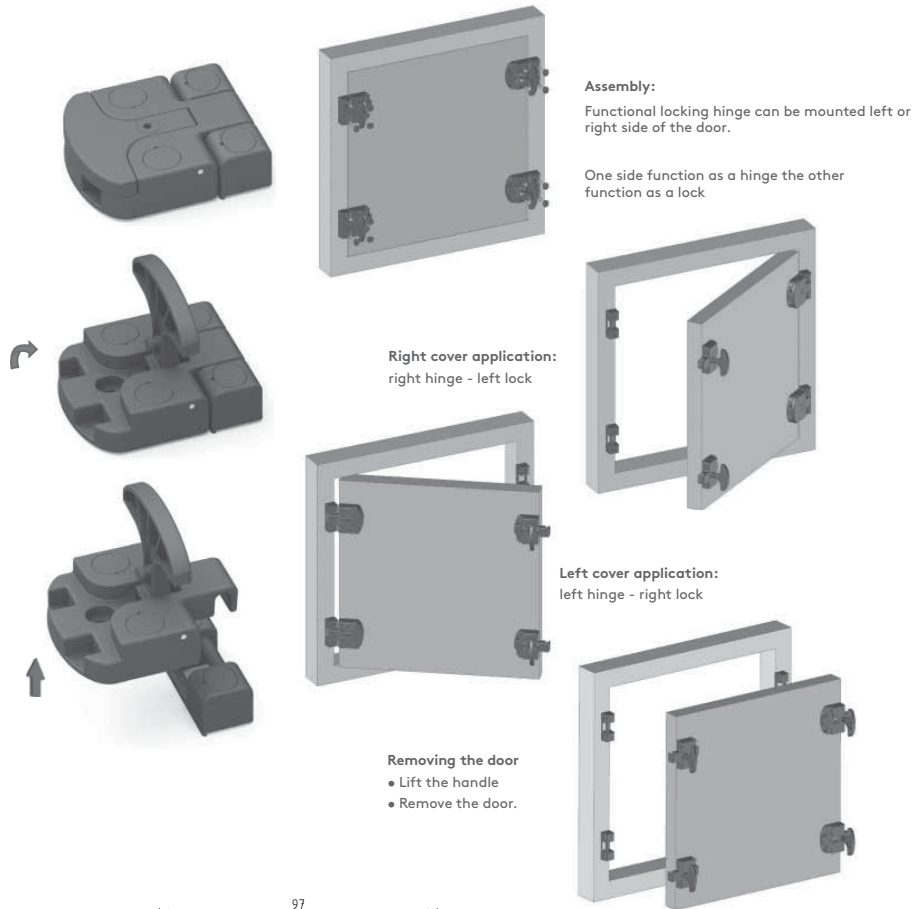


Clamp Finish	Part #
No Finish	0850338
Zinc Plated	0850339
Black Coated	0850340



HVAC FUNCTIONAL LOCKING HINGE

DESCRIPTION	HVAC Functional Locking Hinge
MATERIAL	Body, Handle: PA6 GF30 Driver, Cam, Catch Plate: Zinc
COLOR	Clear Black



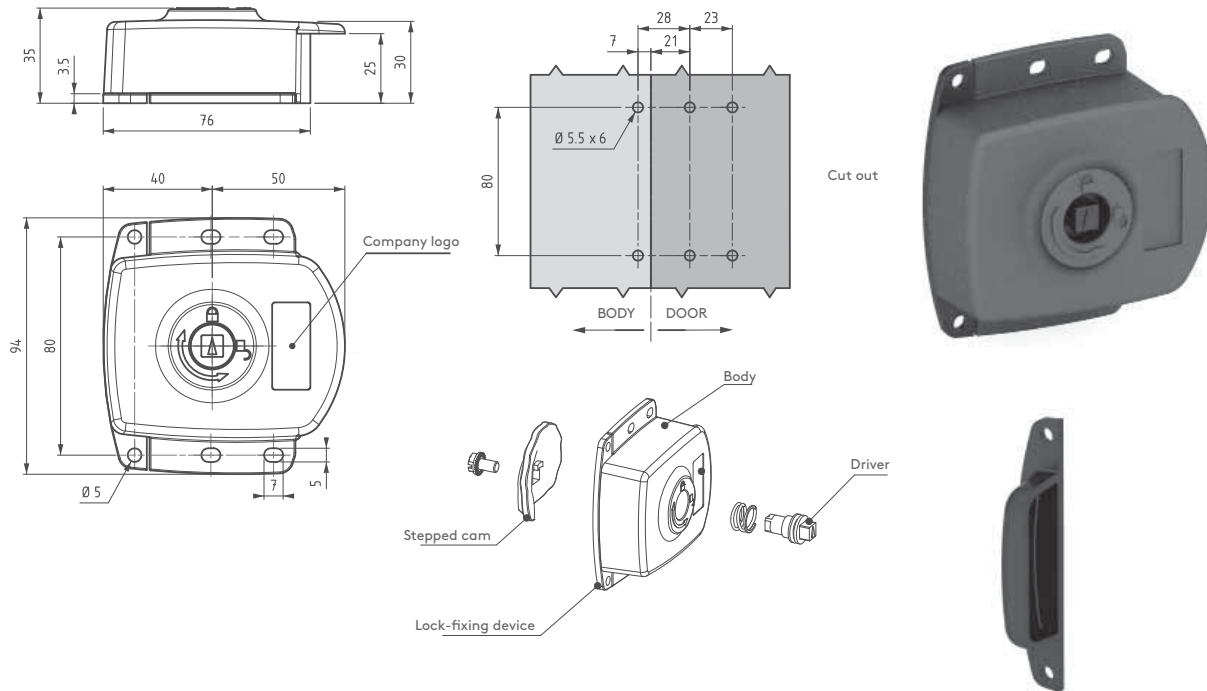
Part #

0850341



HVAC LOCK

DESCRIPTION	HVAC Lock
MATERIAL	Body: Die Cast Zinc Driver: See Table Below
COLOR	See Table Below

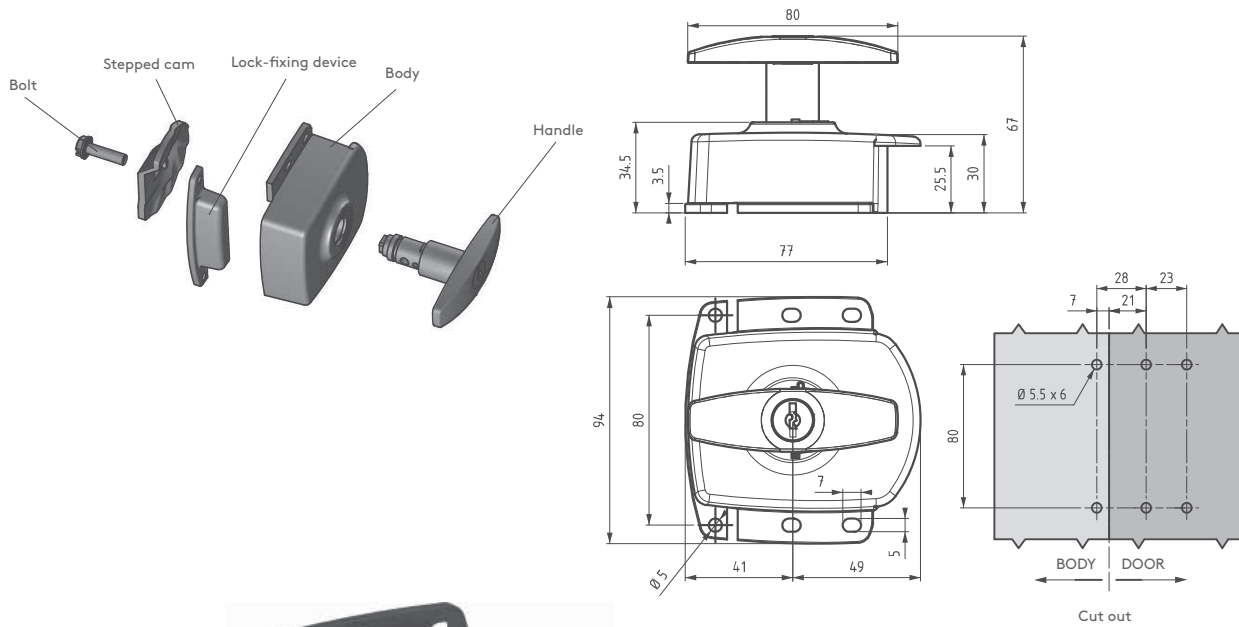


Insert Type	BODY CHROME			BODY BLACK POWDER COATED		
	Die-cast Zinc, black powder coated	Die-cast Zinc, chrome plated	PA6 30	Die-cast Zinc, black powder coated	Die-cast Zinc, chrome plated	PA6 30
Double bit 3mm	0850342	0850343	0850344	0850390	0850391	0850392
Double bit 5mm	0850345	0850346	0850347	0850393	0850394	0850395
Slot 2 x 4	0850348	0850349	0850350	0850396	0850397	0850398
Slot 2 x 4 Coin Proof	0850351	0850352		0850399	0850400	
Triangular 7mm	0850353	0850354	0850355	0850401	0850402	0850403
Triangular 8mm	0850356	0850357	0850358	0850404	0850405	0850406
Triangular 9mm	0850359	0850360	0850361	0850407	0850408	0850409
Square 6mm	0850362	0850363	0850364	0850410	0850411	0850412
Square 7mm	0850365	0850366	0850367	0850413	0850414	0850415
Square 8mm	0850368	0850369	0850370	0850416	0850417	0850418
Square with slot 8mm	0850371	0850372		0850419	0850420	
Female square 6mm	0850373	0850374		0850421	0850422	
Female hexagon 8mm	0850375	0850376		0850423	0850424	
Female hexagon 10mm	0850377	0850378		0850425	0850426	
Male hexagon 11mm	0850379	0850380		0850427	0850428	
Eastern Europe 13mm	0850381	0850382		0850429	0850430	
5 x 10 Slot	0850383	0850384		0850431	0850432	
Railway	0850385	0850386		0850433	0850434	
Torx (T30)	0850387			0850435		
Flat	0850388	0850389		0850436	0850437	



HVAC LOCK T HANDLE

DESCRIPTION	HVAC Lock T Handle
MATERIAL	Body: Die Cast Zinc CYLINDER: See Table Below
COLOR	See Table Below

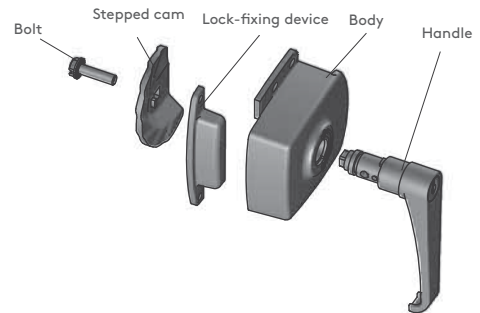
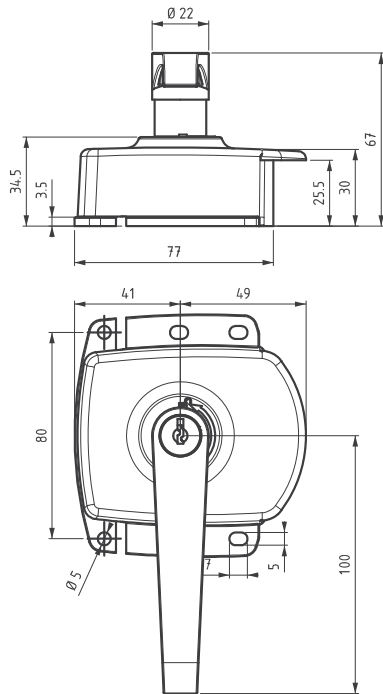


Cylinder Type	BODY: Zamak (Die Cast Zinc)		BODY: PA6 30	
	Finish: Black Powder Coated	Finish: Chrome Plated	Finish: None	Finish: None
No Cylinder	0850438	0850439	0850440	0850441
SS Keyed Alike	0850442	0850443	0850444	0850445
SS Keyed Different	0850446	0850447	0850448	0850449
FH333	0850450	0850451	0850452	0850453
CH751	0850454	0850455	0850456	0850457



HVAC LOCK L HANDLE

DESCRIPTION	HVAC Lock L Handle
MATERIAL	Body: Die Cast Zinc CYLINDER: See Table Below
COLOR	See Table Below



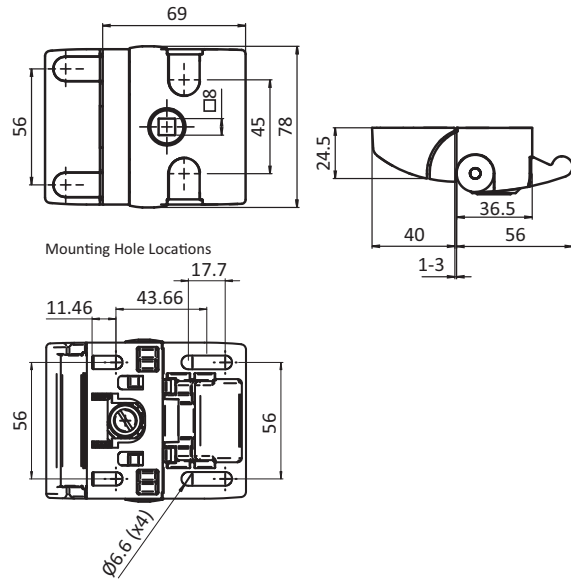
BODY: Zamak (Die Cast Zinc)

BODY: PA6 30

Cylinder Type	Finish: Black Powder Coated	Finish: Chrome Plated	Finish: None	Finish: None
No Cylinder	0850458	0850459	0850460	0850461
SS Keyed Alike	0850462	0850463	0850464	0850465
SS Keyed Different	0850466	0850467	0850468	0850469
FH333	0850470	0850471	0850472	0850473
CH751	0850474	0850475	0850476	0850477

SLAM/SLIDE LATCHES COMPACT

DESCRIPTION	For easy and secure latching and locking of doors and flaps, no mechanical preparation needed for the assembly; safe against disassembling in the locked position
MATERIAL	Die-cast aluminum
SURFACE	Black powder coated / aluminum color powder coated
FASTENING	From the front, using M6 socket head or pan head screws

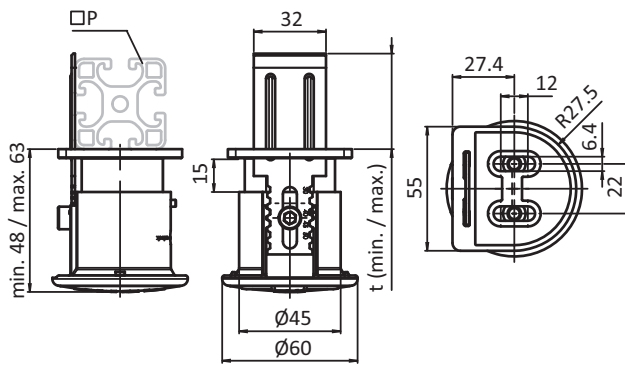


Emergency Opener can be found on page 281

Slam Latch	Lock	Weight [g]	Part #
SLAM LATCH	Black powder coated	Keyed FH333	235.5 0957408
		Keyed Differently	235.5 0957411
		Non Locking	204.0 0957410
		Square Insert	220.0 0957431
		Double Bit Insert	220.0 0957432
SLAM LATCH	Aluminum color powder coated	Keyed FH333	235.5 0957408S01
		Keyed Differently	235.5 0957411S01
		Non Locking	204.0 0957410S01
SLIDE DOOR LATCH	Black powder coated	Keyed FH333	246.0 0957415
		Keyed Differently	246.0 0957416
		Non-Locking	216.0 0957417

EMERGENCY OPENER FOR SLAM LATCHES

DESCRIPTION	Inside emergency release for slam latches PROe, PRO and Compact; with or without safety catch
MATERIAL	Base part: Nylon PA, glass Fiber reinforced Push button: Nylon PA, glass Fiber reinforced Unlocking plate: Steel
SURFACE	Unlocking plate: Zinc plated
COLOR	Base part: Black Push button: Red ≈RAL 3020
FASTENING	From the front, using two socket head screws DIN 912 M6 x 20, Hardware included

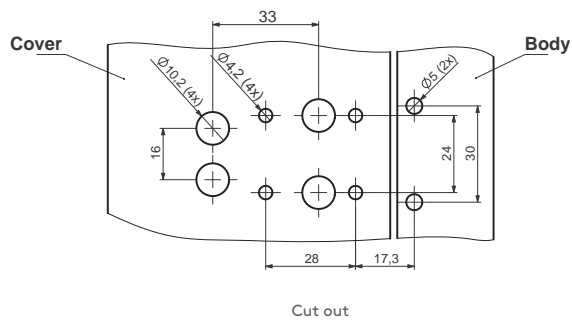
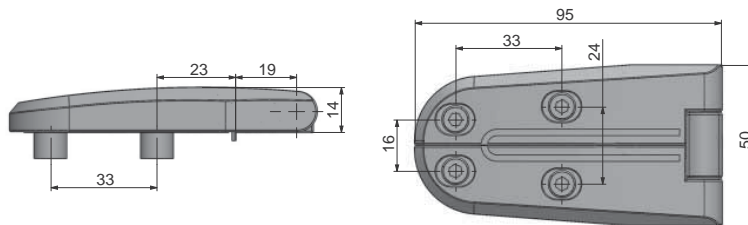
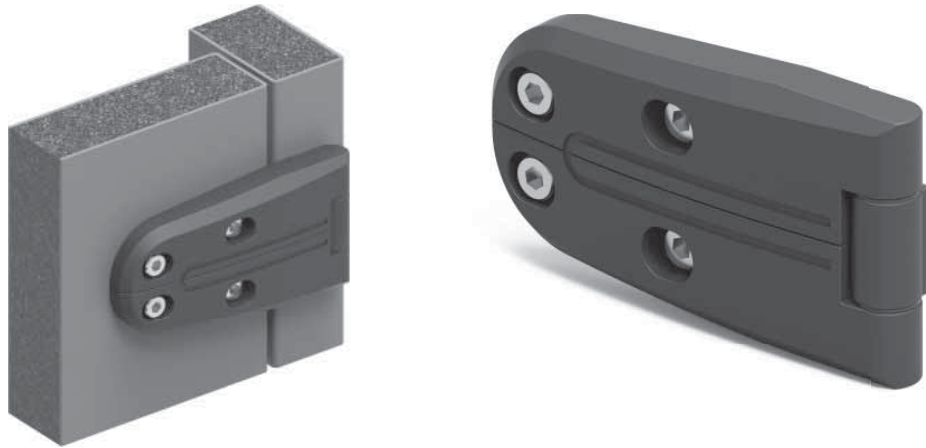


Emergency Opener for Slam Latch	t (min.) [mm]	t (max.) [mm]	P [mm]	Weight [g]	Part #
Without safety catch	30	50	30-50	110.8	0957409
	60	80	60-80	115.4	0957409S03
With safety catch	30	50	30-50	110.8	0957409S02



HVAC HINGE

DESCRIPTION	HVAC Hinge
MATERIAL	Body: Die Cast Zinc Pin & Bolts: SS
FINISH	See Table Below



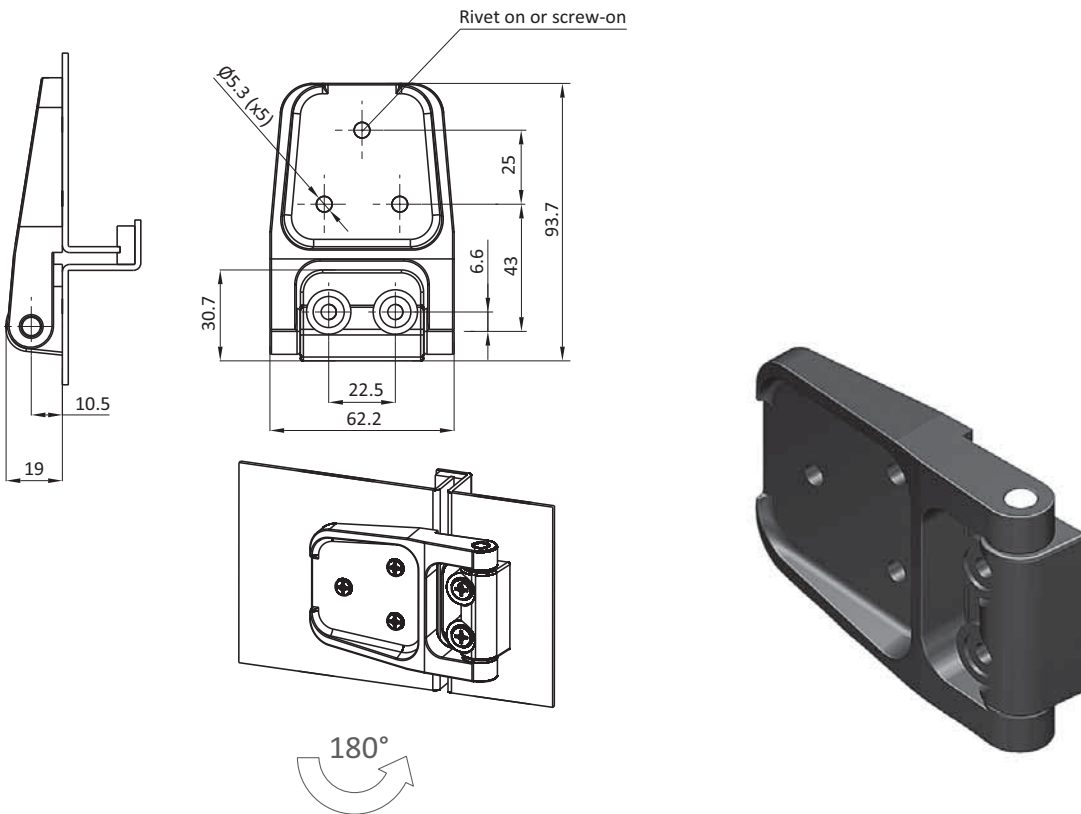
FINISH	
Chrome	
Black Powder Coated	

Part #	
0850481	
0850482	



SCREW-ON HINGE

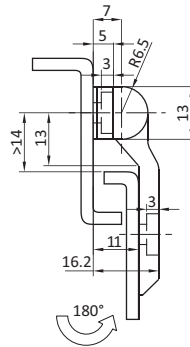
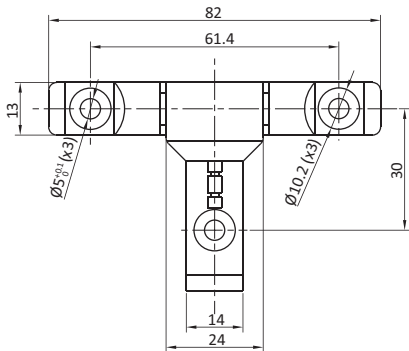
DESCRIPTION	To hinge panels
MATERIAL	Hinge leaves: Nylon PA, glass fiber reinforced Hinge pin: Mild steel
SURFACE	Hinge leaves: Black Hinge pin: 304 Stainless Steel
SPECIALS	Non lift off Left and right





SCREW-ON HINGE

DESCRIPTION	To hinge panels
MATERIAL	Hinge leaves: Die-cast zinc Hinge pin and mounting pin: Mild steel
SURFACE	Hinge leaves: Black powder coated



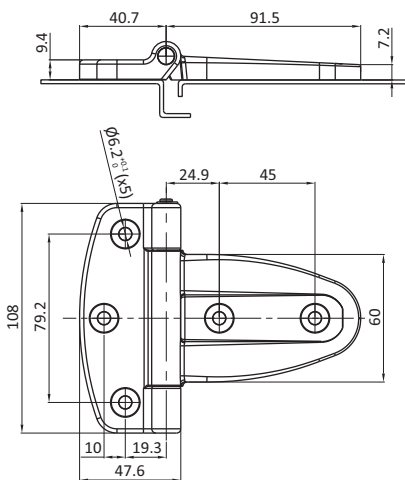
Screw-On Hinge

Black Powder Coated

0830080

SCREW-ON HINGE

DESCRIPTION	To hinge panels
MATERIAL	Hinge leaves: Die cast zinc Pin: SS
SURFACE	Hinge leaves: Black
SPECIALS	Non lift off Left and right



Screw-On Hinge

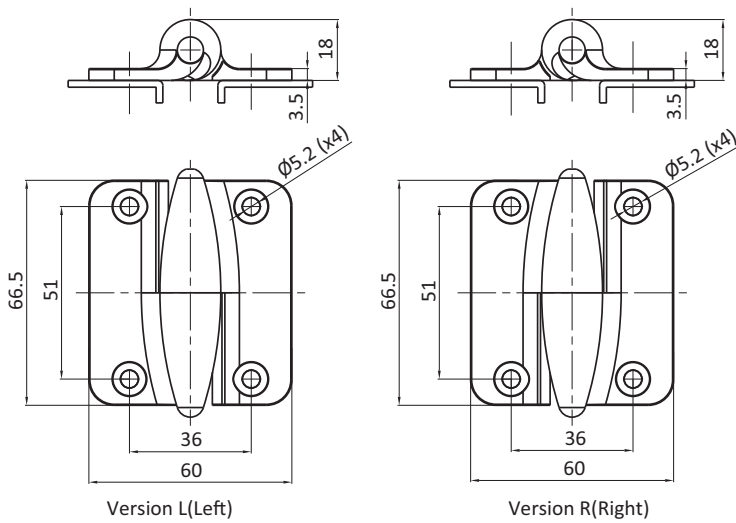
Part #

0813317



SCREW-ON HINGE

DESCRIPTION	To hinge panels
MATERIAL	Hinge leaves: Die cast zinc Pin: SS
SURFACE	Black powder coated / chrome plated
SPECIALS	Lift off Left and right

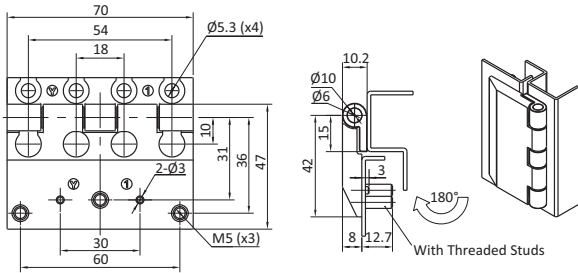


Screw-On Hinge	Left	Right
Black powder coat	0813313	0813314
Chrome plate	0813315	0813316



SCREW-ON HINGE

DESCRIPTION	To hinge panels
MATERIAL	Hinge: Die cast zinc Pin: SS
SURFACE	Black powder coated / Matte silver spray painted
SPECIALS	Non lift off Left and right



Screw-On Hinge

Black Powder Coated

MN Spray Painted (Matte silver)

with M5 threaded stud

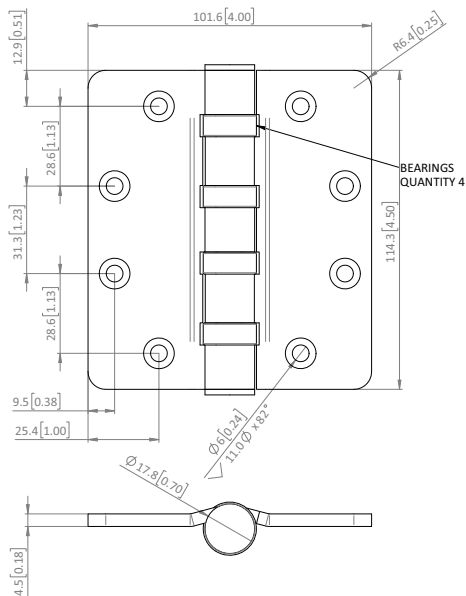
0813349

0813350

STAMPED METAL HINGES



DESCRIPTION	To hinge panels
MATERIAL	316 SS
COLOR	Natural, Passivated
FASTENING	From the front, using M6 countersunk screws



Part #

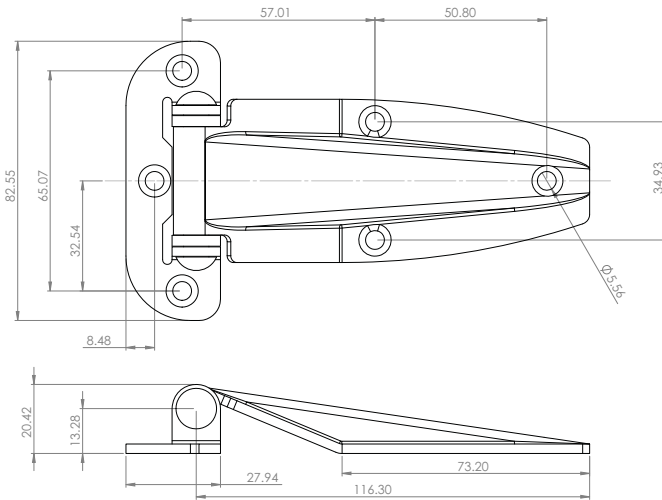
0850262



SCREW-ON HINGE



DESCRIPTION	Truck Door Hinge
MATERIAL	304 Stainless Steel
COLOR	Passivated
FASTENING	From the front, using M5 countersunk screws

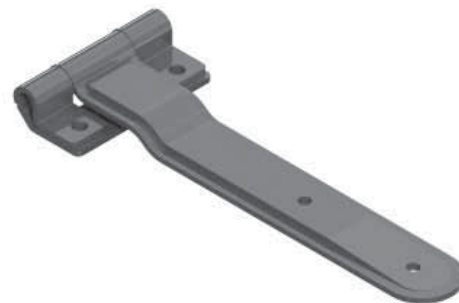
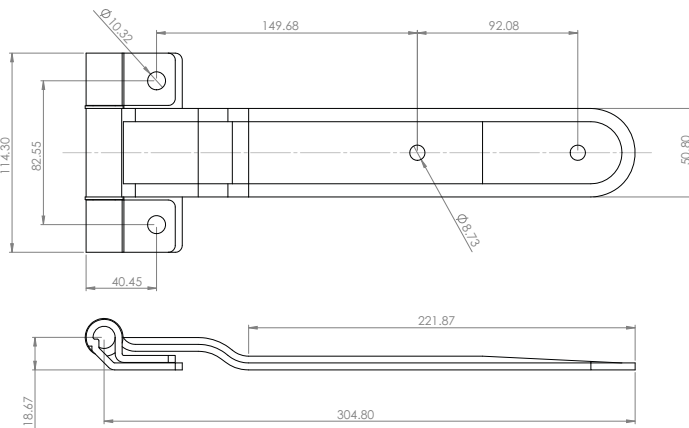


Part #

0850192



DESCRIPTION	Truck Door Hinge
MATERIAL	304 Stainless Steel
COLOR	Passivated
FASTENING	From the front, using M5 countersunk screws



Part #

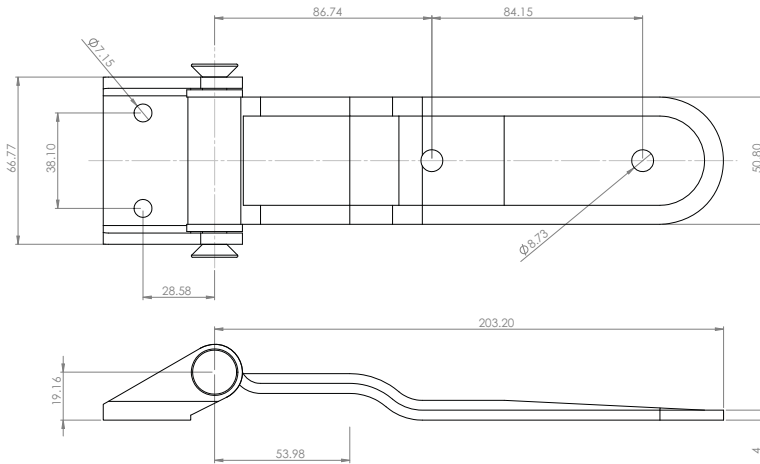
0850193



SCREW-ON HINGE



DESCRIPTION	Truck Door Hinge
MATERIAL	304 Stainless Steel
COLOR	Passivated
FASTENING	From the front, using M5 countersunk screws

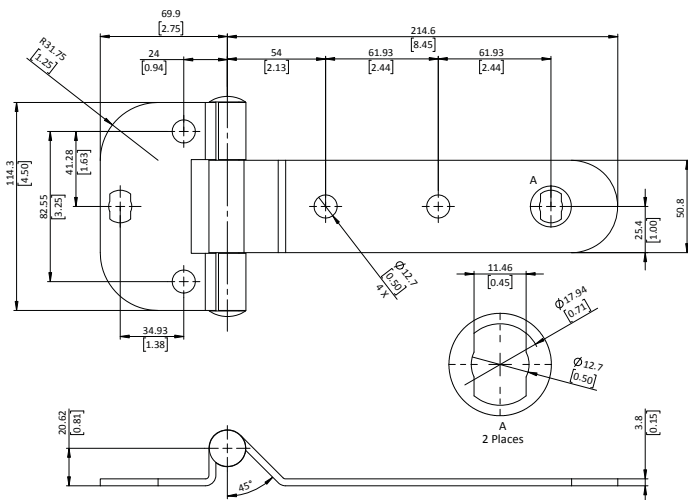


Part #

0850194



DESCRIPTION	Truck Door Hinge
MATERIAL	304 Stainless Steel
COLOR	Passivated
FASTENING	From the front, using M5 countersunk screws

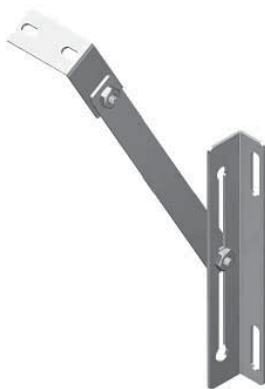


Part #

0850191

INDUSTRIAL HARDWARE

CHAPTER 13: **COVER STAYS**



COVER STAYS
COVER STAYS WITH BUTTON
COVER STAYS
DOOR STAYS / WIND STOPS
TELESCOPIC COVER STAYS
COVER STAY SHORT

300
301
302
303-304
305
306

QTL

COL

SLA

SWH

ASH

SFH

SCH

COH

ACC

GSK

HAN

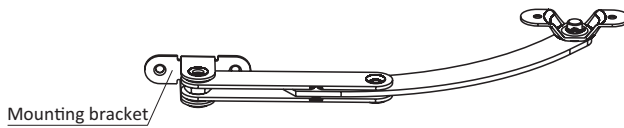
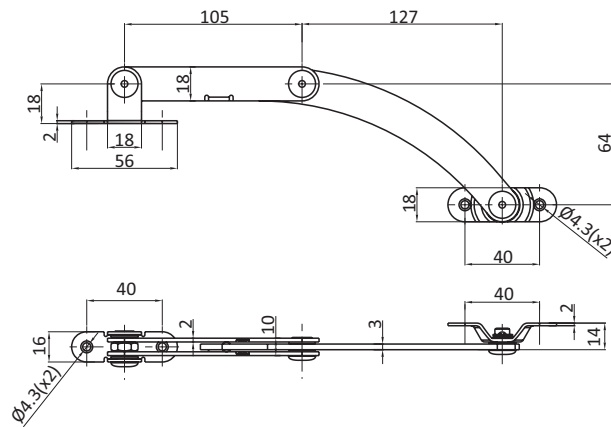
HVA

CST

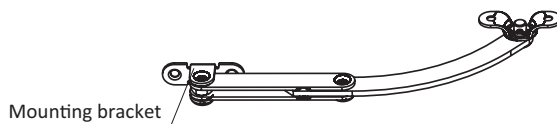
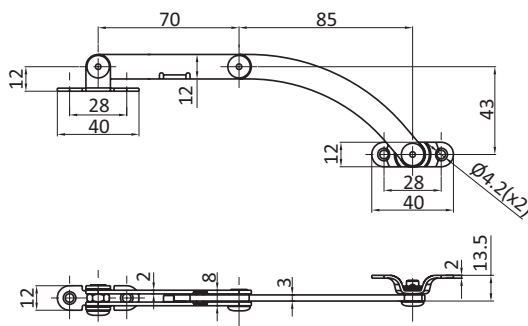
COVER STAYS

DESCRIPTION	To hold open flaps and doors
MATERIAL	Mild steel
COLOR	Nickel plated

Long size



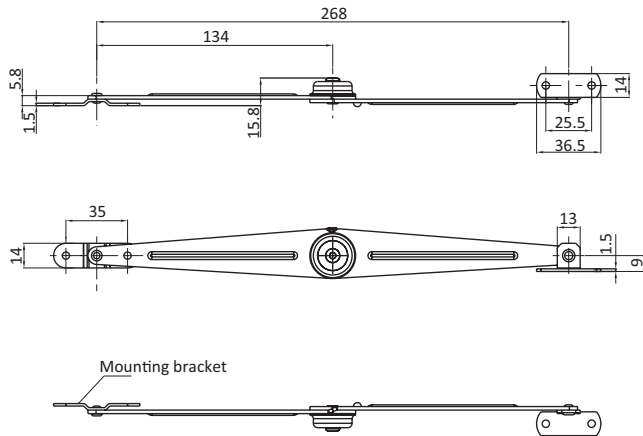
Short size



Cover Stays	L [mm]	Left Opening	Right Opening
	Long Size	0850159	0850161
	Short Size	0850160	0850162

COVER STAYS WITH BUTTON

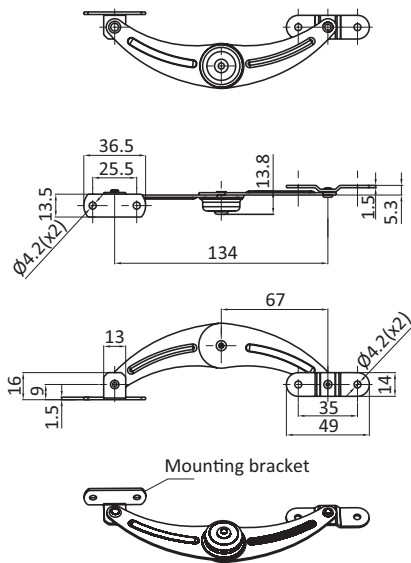
DESCRIPTION	To hold open flaps and doors
MATERIAL	Mild steel
COLOR	Nickel plated



Cover Stays With Button	Left Opening	Right Opening
	0850163	0850164

COVER STAYS WITH BUTTON

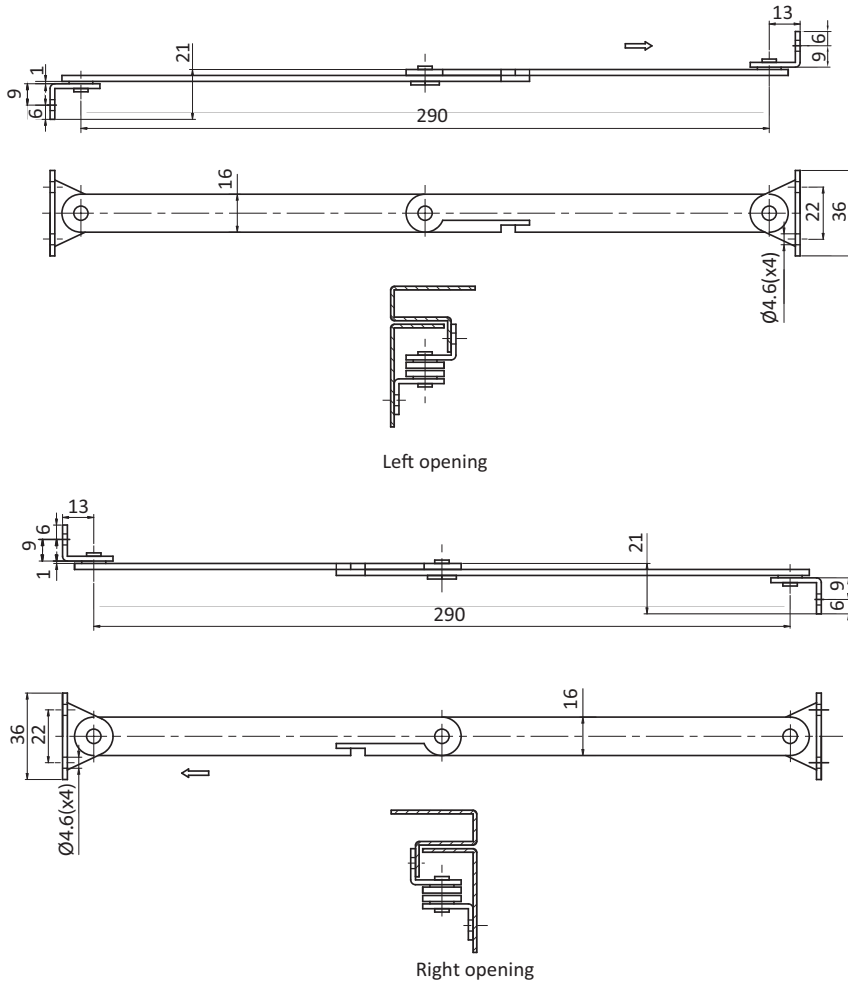
DESCRIPTION	To hold open flaps and doors
MATERIAL	Mild steel
COLOR	Nickel plated



Cover Stays With Button	Left Opening	Right Opening
	0813481	0813482

COVER STAYS

DESCRIPTION	To hold open flaps and doors
MATERIAL	Mild Steel 304 SS
COLOR	Nickel plated

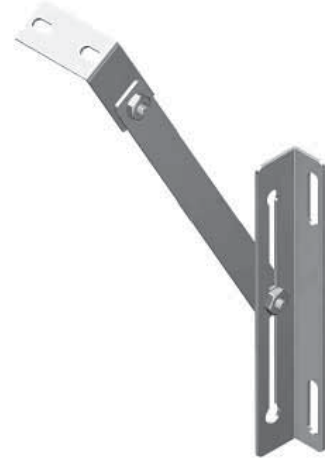
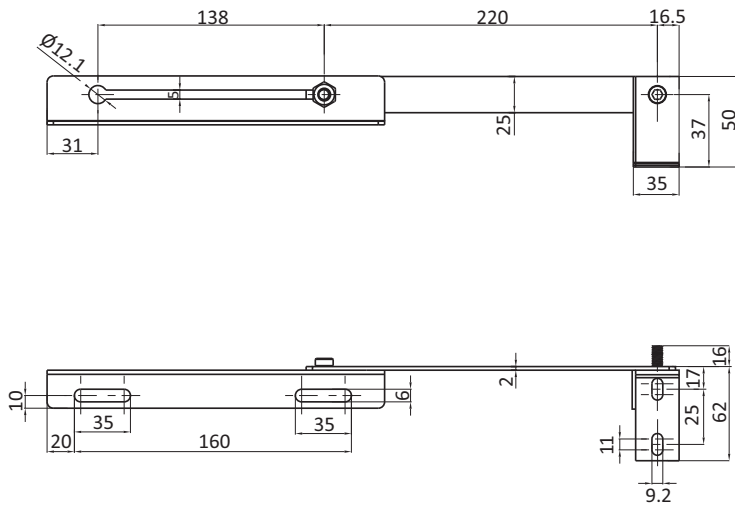


Cover Stays	Material	Left Opening	Right Opening
	Mild Steel	0890011	0890010
	304 SS	0890014	0890015

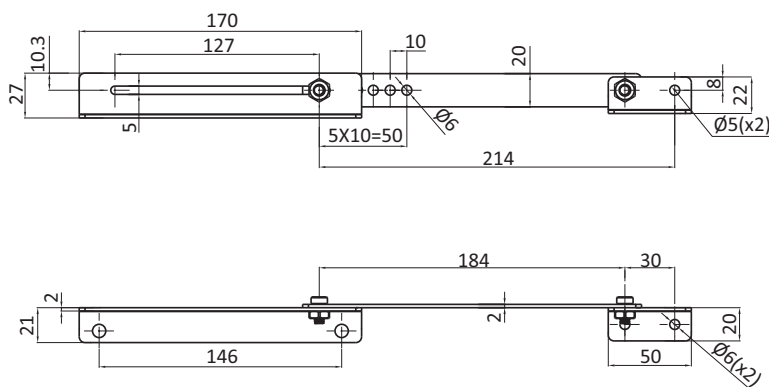
DOOR STAYS / WIND STOPS

DESCRIPTION	To hold open doors
MATERIAL	Mild Steel 304 SS
COLOR	Nickel plated

Long size



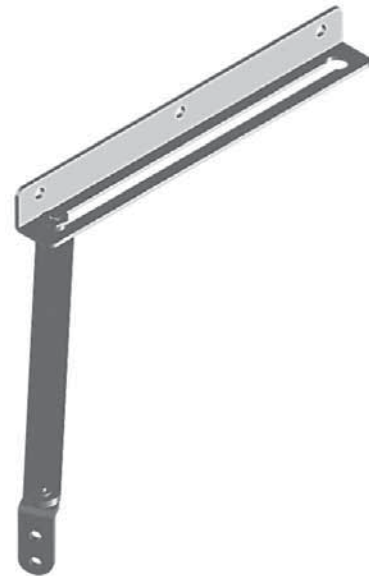
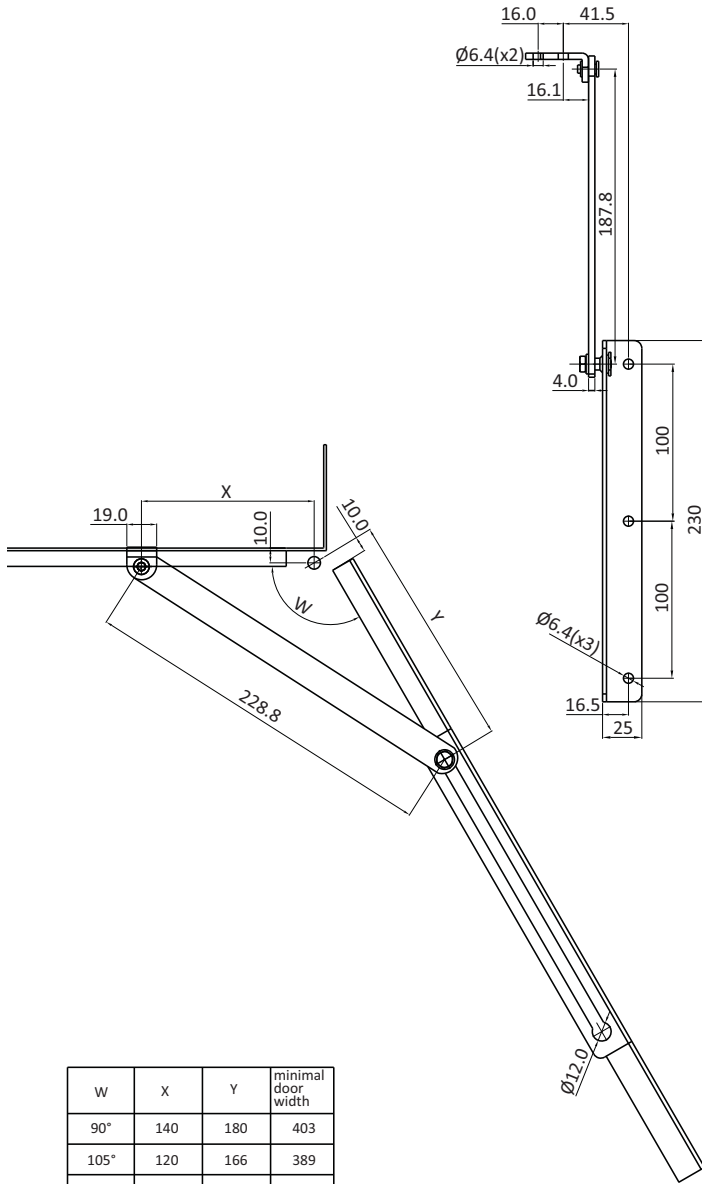
Short size



Door Stays / Wind Stops	Material	Long Size	Short Size
	Mild Steel	0890020	0890021
	304 SS	0890022	0890023

DOOR STAYS / WIND STOPS

DESCRIPTION	To hold open doors
MATERIAL	Mild Steel 304 SS
COLOR	Zinc plated



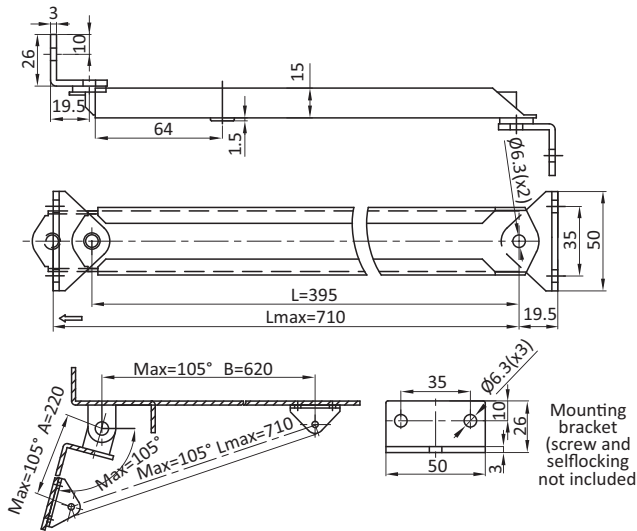
W	X	Y	minimal door width
90°	140	180	403
105°	120	166	389
120°	110	150	373
135°	100	146	369

Door Stays / Wind Stops	Material	Part #
	Mild Steel	0890006
	304 SS	0890006E

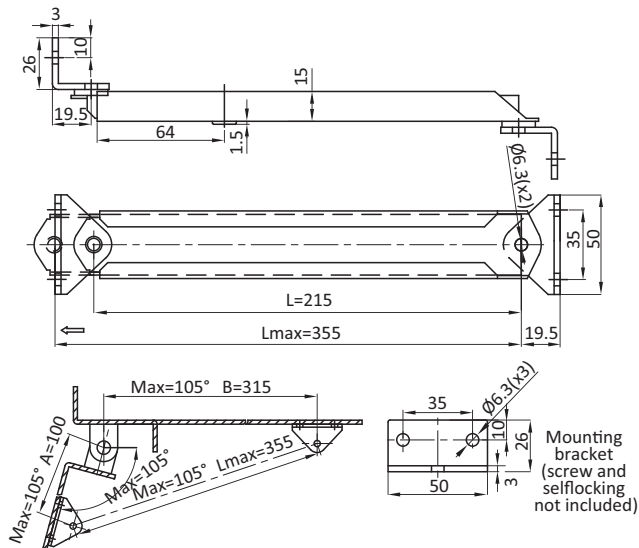
TELESCOPIC COVER STAYS

DESCRIPTION	To hold open flaps and doors
MATERIAL	Mild Steel 304 SS
COLOR	Zinc plated

Long size



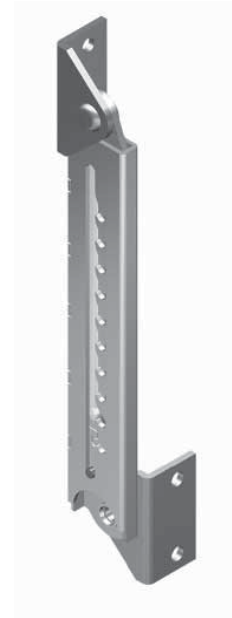
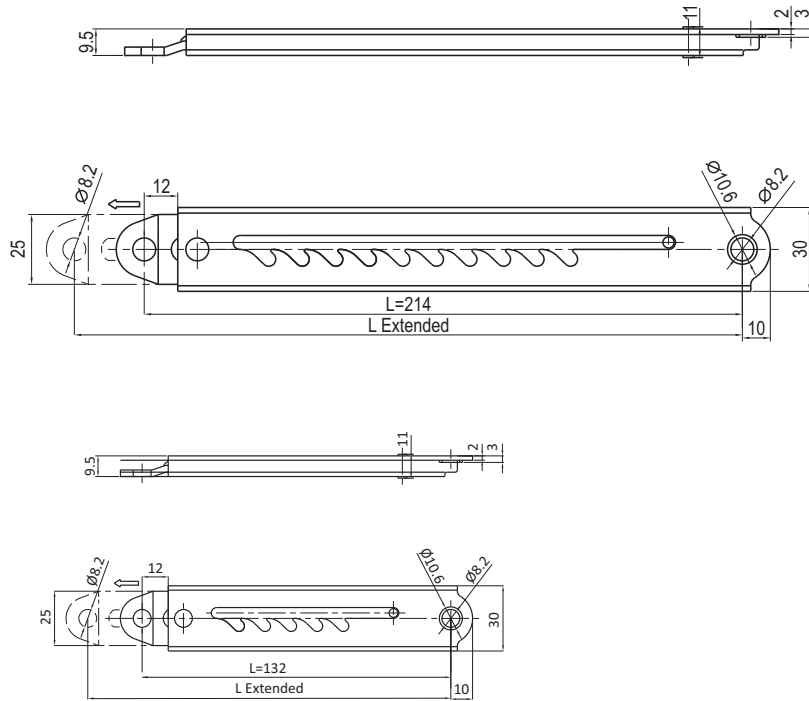
Short size



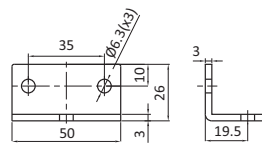
Telescopic Cover Stays	Long Size	Short Size
Mild Steel	0890024	0890025
Stainless Steel	0890024E	0890025E

COVER STAY SHORT

DESCRIPTION	To hold open flaps and doors
MATERIAL	Mild Steel
COLOR	Zinc plated



Stop	Long size L Extended	Short size L Extended
1.	234.5	164
2.	248	177
3.	261	189.5
4.	274.5	202
5.	288	214.5
6.	301	
7.	314.5	
8.	327	
9.	340.5	
10.	354	



Mounting bracket (screw and selflocking not include)
 Note: The cover stay is sold with mounting bracket and related accessories together as standard.



Cover Stay	Number of Stops	Part #
Short	5	0890026
Long	10	KT10799051
Long SS Version	10	KT10799051E

DIMENSIONAL TOLERANCES

Tolerances for Different Materials

Deviation limits ensures consistent quality (functionality, appearance...) of all FATH products. In case closer or wider tolerances are intended, these are indicated in the drawing.

1.1 Tolerances of Metal Parts

If not indicated otherwise, metal parts have tolerances according to DIN ISO 2768 – mK– E.

1.1.1 Deviation Limits for Linear Measures, Except Chamfered Edges

Closer or wider deviation limits are indicated in the drawing. If not, tolerances of the nearest dimension range apply.

Deviation Limits for Linear Measures	Nominal dimension range [mm]	Deviation limits [mm]
	0.5 ≤ 6	± 0.1
	> 6 ≤ 30	± 0.2
	> 30 ≤ 120	± 0.3
	> 120 ≤ 400	± 0.5

1.1.2 Deviation Limits for Chamfered Edges

(External radii and chamfer heights)

Closer deviation limits are indicated in the drawing.

If not, tolerances of the nearest dimension range apply.

Deviation Limits for Nominal Dimension Range	Nominal dimension range [mm]	Deviation limits [mm]
Tolerance class "medium" Abbreviation m	0.5 ≤ 3	± 0.2
	> 3 ≤ 6	± 0.5
	> 6	± 1

1.1.3 Deviation Limits for Angular Dimensions

(External radii and chamfer heights)

Closer or wider deviation limits are indicated in the drawing.

If not, tolerances of the nearest dimension range apply.

Deviation Limits for Angular Dimensions	Nominal dimension range (shorter arm) [mm]	Deviation limits
Tolerance class "medium" Abbreviation m	≤ 10	± 1°
	> 10 ≤ 50	± 0°30'
	> 50 ≤ 120	± 0°20'
	> 120 ≤ 400	± 0°10'

DIMENSIONAL TOLERANCES (Excerpt from FATH norm 0055)

1.2 Tolerances of Plastic Parts

If not indicated otherwise, plastic parts have tolerances following DIN 16742 – TG2.

1.2.1 Plastic Part Tolerances as Symmetric Deviation Limits for

Dimensional Measures

Closer or wider deviation limits are indicated in the drawing.

If not, tolerances of the nearest dimension range apply.

Deviation Limits for Linear Measures	Nominal dimension range [mm]	Deviation limits [mm]
	1 ≤ 3	± 0.12
	> 3 ≤ 6	± 0.18
	> 6 ≤ 10	± 0.22
	> 10 ≤ 18	± 0.26
	> 18 ≤ 30	± 0.31
	> 30 ≤ 50	± 0.37
	> 50 ≤ 80	± 0.57
	> 80 ≤ 120	± 0.80
	>120 ≤ 180	± 0.93
	> 180 ≤ 250	± 1.05

1.2.2 Plastic Part Tolerances for Positioning Tolerances

Closer or wider deviation limits are indicated in the drawing.

If not, tolerances of the nearest dimension range apply.

Plastic Part Tolerances for Positioning Tolerances	Nominal dimension range [mm]	Diameter of the cylindrical tolerance areas [mm]
	1 ≤ 3	∅ 0.34
	> 3 ≤ 6	∅ 0.51
	> 6 ≤ 10	∅ 0.62
	> 10 ≤ 18	∅ 0.74
	> 18 ≤ 30	∅ 0.88
	> 30 ≤ 50	∅ 1.1
	> 50 ≤ 80	∅ 1.6
	> 80 ≤ 120	∅ 2.3
	>120 ≤ 180	∅ 2.6
	> 180 ≤ 250	∅ 3.0

All information is just for reference and does not pose a legally binding agreement about the product properties.

DIMENSIONAL TOLERANCES (Excerpt from FATH norm 0055)

1.3 Tolerances for Materials Not Specified in this Standard

For materials not specified in this standard the general tolerances from section 1.1 apply.

Deviant tolerances are declared in the drawing.

1.4 General Information about Tolerances at FATH

(...)

1.4.2 Tolerances on dimensions and shapes as well as on surfaces are to regard each separately (Principle of Independence according to EN ISO 8015)

1.4.3 CAD data sets and drawings, except for asymmetric tolerance specifications, comply with the nominal geometry dimensions.

1.4.4 All dimensions with general tolerances are excluded from the test report.

For plastic parts, DIN EN ISO 291 defines a standard climate for measuring: 23 °C ± 2 K und 50 % ± 10 % relative air humidity.

In the title block:

“Tolerances according to ISO 8015 (AD) – DIN EN ISO 291:2008-08” is indicated.

1.4.5 For the measurement of radii, 90° or more of the circle segment has to be accessible for measurement.

1.4.6 Positional tolerances are no general tolerances. If functionality requires so, these are indicated directly in the drawing and have to be measured.

1.5 Rejection

“Unless otherwise stated, workpieces exceeding the general tolerance shall not lead to automatic rejection provided that the ability of the workpiece to function is not impaired. The tolerance the function allows is often greater than the general tolerance. The function of the part is, therefore, not always impaired when the general tolerance is (occasionally) exceeded at any feature of the workpiece. Exceeding the general tolerance should lead to a rejection of the workpiece only if the function is impaired.”
(DIN ISO 2768 – issue 04.91)

COLORS (Excerpt from FATH norm 0072)

FATH Color Map	RAL color name	RAL number	Indication on drawing	Usage, notes
	Signal yellow	1003	RAL 1003 Signal yellow according to FATH Standard 0072	FATH Standard
	Daffodil yellow	1007	RAL 1007 Daffodil yellow according to FATH Standard 0072	
	Zinc yellow	1018	RAL 1018 Zinc yellow according to FATH Standard 0072	
	Traffic yellow	1023	RAL 1023 Traffic yellow according to FATH Standard 0072	
	Pastel orange	2003	RAL 2003 Pastel orange according to FATH Standard 0072	
	Pure orange	2004	RAL 2004 Pure orange according to FATH Standard 0072	
	Flame red	3000	RAL 3000 Flame red according to FATH Standard 0072	
	Carmin red	3002	RAL 3002 Carmin red according to FATH Standard 0072	
	Ruby red	3003	RAL 3003 Ruby red according to FATH Standard 0072	
	Purple red	3004	RAL 3004 Purple red according to FATH Standard 0072	
	Traffic red	3020	RAL 3020 Traffic red according to FATH Standard 0072	FATH Standard
	Violet blue	5000	RAL 5000 Violet blue according to FATH Standard 0072	
	Signal blue	5005	RAL 5005 Signal blue according to FATH Standard 0072	
	Gray blue	5008	RAL 5008 Gray blue according to FATH Standard 0072	
	Gentian blue	5010	RAL 5010 Gentian blue according to FATH Standard 0072	
	Pigeon blue	5014	RAL 5014 Pigeon blue according to FATH Standard 0072	
	Traffic blue	5017	RAL 5017 Traffic blue according to FATH Standard 0072	
	Water blue	5021	RAL 5021 Water blue according to FATH Standard 0072	
	Night blue	5022	RAL 5022 Night blue according to FATH Standard 0072	
	Turquoise green	6016	RAL 6016 Turquoise green according to FATH Standard 0072	
	Traffic green	6024	RAL 6024 Traffic green according to FATH Standard 0072	
	Signal green	6032	RAL 6032 Signal green according to FATH Standard 0072	FATH Standard
	Squirrel gray	7000	RAL 7000 Squirrel gray according to FATH Standard 0072	
	Silver gray	7001	RAL 7001 Silver gray according to FATH Standard 0072	
	Signal gray	7004	RAL 7004 Signal gray according to FATH Standard 0072	B
	Iron gray	7011	RAL 7011 Iron gray according to FATH Standard 0072	
	Basalt gray	7012	RAL 7012 Basalt gray according to FATH Standard 0072	
	Anthracite gray	7016	RAL 7016 Anthracite gray according to FATH Standard 0072	
	Stone gray	7030	RAL 7030 Stone gray according to FATH Standard 0072	
	Light gray	7035	RAL 7035 Light gray according to FATH Standard 0072	
	Dusty gray	7037	RAL 7037 Dusty gray according to FATH Standard 0072	
	Window gray	7040	RAL 7040 Window gray according to FATH Standard 0072	
	Traffic gray A	7042	RAL 7042 Traffic gray A according to FATH Standard 0072	FATH Standard / I
	Traffic gray B	7043	RAL 7043 Traffic gray B according to FATH Standard 0072	
	Gray brown	8019	RAL 8019 Gray brown according to FATH Standard 0072	
	Cream	9001	RAL 9001 Cream according to FATH Standard 0072	
	Gray white	9002	RAL 9002 Gray white according to FATH Standard 0072	
	Signal white	9003	RAL 9003 Signal white according to FATH Standard 0072	
	Jet black	9005	RAL 9005 Jet black according to FATH Standard 0072	
	White aluminum	9006	RAL 9006 White aluminium According to FATH Standard 0072	
	Gray aluminum	9007	RAL 9007 Gray aluminium according to FATH Standard 0072	
	Pure white	9010	RAL 9010 Pure white according to FATH Standard 0072	
	Traffic white	9016	RAL 9016 Traffic white according to FATH Standard 0072	
	Pearl light gray	9022	RAL 9022 Pearl light gray according to FATH Standard 0072	

All information is just for reference and does not pose a legally binding agreement about the product properties.

SURFACE SPECIFICATIONS AT FATH (Excerpt from FATH norm 0073)

General Specifications for Surfaces

Dimensions on product drawings relate to the finished product.
 Coating thicknesses must be taken into consideration for production.

1.1 Powder Coatings

Color	Gloss level	Flatness	Possible powder	Indication on drawing
Black	Matt	Flat	AKZO NOBEL Interpon Autobody MN206D	Powder coated black according to FATH 0073
Metallic	Matt	Flat	OXYPLAST PE82 ANO-LOOK	Powder coated metallic according to FATH 0073

1.2 Galvanic Zinc Coating

Galvanizing declaration according to DIN 50960 *et sq.*

Standard	Basic material	Coating	Chromating	Additional information
DIN 50961	Fe = Steel, iron	Zn = Zinc	X = Arbitrary	mt = Matt
	Zn = Zinc	Cd = Cadmium	A = Colorless	bk = Plain
	Cu = Copper	Ni = Nickel	B = Blue	gl = Glossy
	Al = Aluminum	Cu = Copper	C = eellow	hgl = Highly glossy
		Cr = Chrome	D = Olive green	
		Sn = Tin	E = Green	
		Ag = Silver	F = Black	
		Au = Gold		

DIN 50961 – Galvanic coatings – Zinc coatings on iron or steel

DIN 50962 – Galvanic coatings – chromated coatings of zinc alloys on iron and steel

DIN 50965 – Galvanic coatings – Tin-coatings on iron steel and on copper and copper alloys

1.2.1 Zinc Flake Coating

Coating according to DIN EN ISO 10683 for fasteners.

DIN 50961 – Fe/Zn 5 B gl according to FATH 0073

SURFACE SPECIFICATIONS AT FATH (Excerpt from FATH norm 0073)

General Specifications for Surfaces

Dimensions on product drawings relate to the finished product.
 Coating thicknesses must be taken into consideration for production.

1.1 Powder Coatings

Designation 1	Processing
E0	Degrease and deoxidize
E1	Grind
E2	Brush
E3	Polish
E4	Grind and brush
E5	Grind and polish
E6	Pickling
E7	Chemical or electrochemical polish
E8	Polish and chemical or electrochemical polish

1.3 Anodize

DIN 17611 governs the surface quality of anodized parts. Designation is composed as follows:

Designation 2	Color	Class	Layer thickness [µm]	Location and stress
EV 1	<i>Natural</i>	10	10	<i>Interior, dry</i>
EV 2	<i>Nickel silver</i>	15	15	<i>Interior, temporarily wet / rural climate</i>
EV 3	<i>Gold</i>	20	20	<i>Exterior, urban and rural climate</i>
EV 4 <i>Medium bronze</i>		25	25	<i>Aggressive climate, e.g. a combination of industrial and maritime climate</i>
EV 5 <i>Dark bronze</i>				
EV 6 <i>Black</i>				
C 0 <i>Colorless</i>				
C 31 <i>Light bronze</i>				
C 32 <i>Bright bronze</i>				
C 33 <i>Medium bronze</i>				

1.4 Painting

A completely covered surface is required.

DIN 17611 – E6/EV1 nature class 10 according to FATH 0073

1.5. Phosphating

Light to medium corrosion protection. Low friction, good sliding properties.

1.6 Burnishing

Surface finishing for iron and steel parts, no corrosion protection. Dipping in oil emulsion. Surface coloring brown / black.

1.7 Chromate - Passivate

Surface finish with light corrosion protection for die-cast aluminum and zinc.

Standard: yellow or colorless (chrome VI free)

Very good primer for lacquers and powder coatings.

SURFACE SPECIFICATIONS AT FATH (Excerpt from FATH norm 0073)

1.8 Barrel Finishing

Preparatory treatment for further finishing (coloring, powder coating...). For bulk ware with smaller irregularities.

1.9 Sandblasting – Glass Bead Blasting

Preparatory treatment for further finishing (coloring, powder coating...). For single parts.

1.10 Roughness and Function Specification of Surfaces

1.10.1 Erosion Structure on visible Plastic Surfaces

All visible surfaces of plastic parts have an eroded structure according to VDI 3400.

Ejectors may not be placed on visible surfaces if not indicated otherwise.

This is a Ra value of approximately 6.3.

Comparison table VDI 3400 – DIN EN ISO 1302 (approx. values)

Value VDI	Value DIN EN ISO 1302 [µm]	ISO 1302
18	0.8	N6
25	1.6	N7
30	3.2	N8
36 6.3		N9
42 12.5		N10
45 18		N10

1.10.2 Surface Specifications According to DIN EN ISO 1302

Drawings created at FATH usually provide no surface specifications. Manufacturers are intended to be "as free as possible" in manufacturing as far as all dimensions are correct.

In case surface specifications are made on the drawing these are related to DIN ISO 1302.

If not indicated otherwise, surface specifications refer to the Ra-value.

Visible surfaces erode VDI 3400; Ref. No. XX according to FATH 0073

INTERNATIONAL STAINLESS STEEL STANDARDS

Germany		U.S.A.	U.K.	EU	France	Italy	Japan	Russia	Sweden	Spain
W.N. 17007	DIN 17006	AISI	BSI	EURONORM	AFNOR	UNI	JIS	GOST	SIS	UNE
1.4000	X 6 Cr 13	410 S ³⁾	403S17	X 6 Cr 13	Z 6 C 13	X 6 Cr 13	SUS 410S		23 01	
1.4000	X 6 Cr 13	403 ³⁾	403S17	X 10 Cr 13	Z 12 C 13	X 12 Cr 13	SUS 403		23 02	
1.4006	X 10 Cr 13			X 12 Cr 13						
1.4024	X 15 Cr 13									
1.4000	X 6 Cr 13	410 ³⁾	410S21	X 12 Cr 13	Z 10 C 13	X 12 Cr 13	SUS 410	08Kh13	23 02	X 12 Cr 13
1.4006	X 10 Cr 13				Z 12 C 13					
1.4024	X 15 Cr 13									
1.4002	X 6 CrAl 13	405 ³⁾	405S17	X 6 CrAl 13	Z 6 CA 13	X 6 CrAl 13	SUS 405			X 6 CrAl 13
1.4104	X 6 CrMoS17	430 F ³⁾	441S01	X12CrMoS17	Z13 CF 17	X 10 CrS 17	SUS 430F		23 83	
1.4301	X 5 CrNi 18 10	304 ¹⁾	304S15	X 6 CrNi 18 10	Z 6 CN 18-09	X 5 CrNi 1810	SUS 304	08KH18N10	23 32	X 6 CrNi 19-10
1.4303	X 5 CrNi 18 12		304S16					06KH18N11		
1.4305	X 10 CrNiS 18 9	303 ¹⁾	303S21	X 10 CrNiS 18 9	Z 10 CNF 18-09	X 10 CrNiS 1809	SUS 303		23 46	X 10 CrNiS 18-09
1.4306	X 2 CrNi 18 11	304 L ¹⁾	304S11	X 3 CrNi 18 10	Z 2 CN 18-10	X 2 CrNi 1911	SUS 304L	03KH18N11	23 52	X 2 CrNi 19-10
1.4310	X 12 CrNi 17 7	301 ¹⁾	301S21	X 12 CrNi 17 7	Z 12 CN 17-07	X 12 CrNi 1707	SUS 301		23 31	X 12 CrNi 17-07
1.4311	X 2 CrNiN 18 10				Z 2 CN 18-10-Az	X 2 CrNiN 1811	SUS 304LN		23 71	
1.4319	X 5 CrNi 18 7	302 ¹⁾	302S25	X 10 CrNi 18 9	Z 10 CN 18-09	X 10 CrNi 1809	SUS 302	12KH18N9	23 31	X 10 CrNi 18-09
1.4401	X 5 CrNiMo 17 12 2	316 ¹⁾	316S31	X 6 CrNiMo 17 12 2	Z 6 CND 17-11	X 5 CrNiMo 1712	SUS 316		23 47	X 6 CrNiMo 17-12-03
1.4404	X 2 CrNiMo 17 13 2	316 L ¹⁾	316S11	X 3 CrNiMo 17 12 2	Z 2 CND 17-12	X 2 CrNiMo 1712	SUS 316L		23 48	X 2 CrNiMo 17-12-03
1.4406	X 2 CrNiMoN 17 12 2				Z 2 CND 17-12-Az	X 2 CrNiMoN 1712	SUS 316LN	03KH16N15M3		
1.4427	X 12 CrNiMoN 18 11	316 F ¹⁾								
1.4429	X 2 CrNiMoN 17 13 3				Z 2 CND 17-13-Az	X 2 CrNiMoN 1713		08KH17N13M2T	23 75	
								10KH17N13M2T		
1.4435	X 2 CrNiMo 18 14 3	316 L ¹⁾	316S13	X 3 CrNiMo 17 13 3	Z 2 CND 17-13	X 2 CrNiMo 1713			23 53	X 2 CrNiMo 17-12-03
1.4436	X 5 CrNiMo 17 13 3	316 ¹⁾	316S33	X 6 CrNiMo 17 13 3	Z 6 CND 17-12	X 5 CrNiMo 1713	SUS 316		23 43	X 6 CrNiMo 17-12-03
1.4438	X 2 CrNiMo 18 16 4	317 L ¹⁾	317S12	X 3 CrNiMo 18 16 4	Z 2 CND 19-15	X 2 CrNiMo 1815	SUS 317L		23 67	
1.4438	X 2 CrNiMo 18 16 4	317 L ¹⁾	317S12	X 3 CrNiMo 18 16 4	Z 2 CND 19-15	X 2 CrNiMo 1816	SUS 317L		23 67	
1.4460	X 8 CrNiMo 27 5	329 ¹⁾					SUS 329J1	08KH18N12B	23 24	
1.4462	X 2 CrNiMoN 22 5	UNS31803 ²⁾								
1.4501	X 3 CrNiMoN 25 7	UNS32760 ²⁾			Z 3 CND 25-06Az		12Kh13			
1.4512	X 6 CrTi 12	409 ³⁾	409S19	X 5 CrTi 12	Z 6 CT 12	X 6 CrTi 12	SUH 409			
1.4541	X 6 CrNiTi 18 10	321 ¹⁾	321S31	X 6 CrNiTi 18 10	Z 6 CNT 18-10	X 6 CrNiTi 1811	SUS 321	12KH18N10T	23 37	X 6 CrNiTi 18-11
1.4878	X 12 CrNiTi 18 9									
1.4550	X 6 CrNiNb 18 10	347 1)	347S31	X 6 CrNiNb 18 10	Z 6 CNNb 18-10	X 6 CrNiNb 1811	SUS 347		23 38	X 6 CrNiNb 18-11
1.4571	X 6 CrNiMoTi 17 12 2		320S31	X 6 CrNiMoTi 17 12 2	Z 6 CNDT 17-12	X 6 CrNiMoTi 1712		08KH17N13M2T	23 50	X 6 CrNiMoTi 17-12-03
								10KH17N13M2T		
1.4573	X 10 CrNiMoTi 18 12		320S33	X 6 CrNiMoTi 17 13 3		X 6 CrNiMoTi 1713		08KH16N13M2B		X 6 CrNiMoTi 17-12-03
1.4580	X 6 CrNiMoNb 17 12 2			X 6 CrNiMoNb 17 12 2	Z 6 CNDNb 17-12	X 6 CrNiMoNb 1712		09KH16N15M3B		
1.4583	X 10 CrNiMoNb 18 12			X 6 CrNiMoNb 17 13 3		X 6 CrNiMoNb 1713				
1.4713	X 10 CrAl 7			X 10 CrAl 7	Z 8 CA 7			10Kh13SYu		
1.4724	X 10 CrAl 13					X 10 CrAl 12		15Kh18SYu		
1.4742	X 10 CrAl 18			X 10 CrSiAl 18						
1.4821	X 20 CrNiSi 25 4									
1.4828	X 15 CrNiS 20 12	309 1)	309S24	X 15 CrNi 23 13	Z 15 CN 24-13	X 16 CrNi 2314	SUH 309			
1.4841	X 15 CrNiSi 25 20	314 ¹⁾		X 15 CrNiSi 25 20	Z 12 CNS 25-20	X 16 CrNiSi 2520				
1.4842	X 12 CrNi 25 20	310 S ¹⁾		X 6 CrNi 25 20	Z 12 CN 25-20	X 5 CrNi 2520	SUS 310S	20KH25N20S2	23 61	
1.4845	X 12 CrNi 25 21	310 ¹⁾	310S24			X 22 CrNi 2520	SUH 310	10KH23N18		
1.4864	X 12 NiCrSi 36 16	330 ¹⁾			Z 12NCS 35-16		SUH 330	08KH18N10T		
1.4939		904 L ¹⁾			Z 12 CNDV 12-02					

- 1) austenitic grades
- 2) austenitic-ferritic grades
- 3) ferritic grades

CONVERSION FACTORS FOR LINEAR MEASURES

to convert from	to	multiply by
Centimeter [cm]	Inch [in]	0,3937
Meter [m]	Yard [yd]	1,093
Kilometer [km]	Mile	0,6215
Zoll Inch [in]	Centimeter [cm]	2,54
Yard [yd]	Meter [m]	0,9144
Mile	Kilometer [km]	1,609

1 Meter [m] = 100 cm = 1000 mm

1 foot [ft] = 12 in
 1 yard [yd] = 3 ft = 36 in

CONVERSION FACTORS FOR SQUARE MEASURES

to convert from	to	multiply by
Quadratcentimeter [cm ²]	Square inch [sqin]	0,155
Quadratmeter [m ²]	Square foot [sqft]	10,764
Quadratmeter [m ²]	Square Yard [yd ²]	1,196
Quadratkilometer [km ²]	Acre [ac]	247,1
Quadratkilometer [km ²]	Square Miles [sqmi]	0,3861
Square inch [sqin]	Quadratcentimeter [cm ²]	6,45
Square foot [sqft]	Quadratmeter [m ²]	0,093
Square Yard [yd ²]	Quadratmeter [m ²]	0,836
Acre [ac]	Quadratkilometer [km ²]	0,004
Square Miles [sqmi]	Quadratkilometer [km ²]	2,5899

1 Quadratkilometer [km²] = 100 Hektar [ha] =
 10.000 Ar [a] = 1.000.000 Quadratmeter [m²]
 1 Quadratmeter [m²] = 10.000 Quadratcentimeter [cm²] =
 1.000.000 Quadratmillimeter [mm²]

1 Square Mile = 640 Acres [ac.]
 1 Acres [ac.] = 4.840 Square Yards [sq yd]
 1 Square Yard [sq yd] = 9 Square foot [sq ft]

CONVERSION FACTORS FOR SOLID MEASURES

to convert from	to	multiply by
Liter [l]	Cubic inch [cu in]	61.025
Liter [l]	Cubic foot [cu ft]	0.0353
Liter [l]	US-Quart	1.0567
Liter [l]	US-Gallon	0.2642
Liter [l]	GB-Gallon	0.2200
Cubikcentimeter [cm ³] / Milliliter [ml]	Cubic Inch [cu in]	0.061
Cubic Inch [cu in]	Cubikcentimeter [cm ³] / Milliliter [ml]	16.387
Cubic Inch [cu in]	Liter [l]	0.0163
Cubic Foot [cu ft]	Liter [l]	28.317
GB-Gallon	Liter [l]	4.545
US-Gallon	Liter [l]	3.7853
US-Quart	Liter [l]	0.9463
1 Barrel [Ölmaß]	Liter [l]	159

1 Kubikmeter [m³] = 1.000 Kubikdezimeter [dm³] = 1.000.000 Kubikzentimeter [cm³] / Milliliter [ml]
 1 Hektoliter [hl] = 100 Liter [l] = 100 Kubikdezimeter [dm³] = 1.000 Deziliter [dl]

CONVERSION FACTORS FOR WEIGHTS

to convert from	to	multiply by
Gramm [g]	Ounce [oz]	0,0353
Kilogramm [kg]	Pound [lb]	2,2046
Ounce [oz]	Gramm [g]	28,3495
Pound [lb]	Kilogramm [kg]	0,45359

1 Kilogramm [kg] = 1000 g

1 Pound [lb] = 16 oz

CONVERSION FACTORS FOR TEMPERATURES

to convert from	to	Formula
Fahrenheit [°F]	Celsius [°C]	$^{\circ}\text{C} = (^{\circ}\text{F} - 32) \times 5/9$
Celsius [°C]	Fahrenheit [°F]	$^{\circ}\text{F} = 9/5 \times ^{\circ}\text{C} + 32$

0 °F = -17,8 °C
32 °F = 0 °C
50 °F = 10 °C
212 °F = 100 °C

0 °C = 32 °F
10 °C = 50 °F
37 °C = 98,6 °F
100 °C = 212 °F

CONVERSION FACTORS FOR SPEED

to convert from	to	multiply by
Stundenkilometer [km/h]	Miles per hour [mph]	0,6215
Miles per hour [mph]	Stundenkilometer [km/h]	1,609

55 mph = 89 km/h
60 mph = 96 km/h
65 mph = 104 km/h
70 mph = 113 km/h
75 mph = 121 km/h

30 km/h = 19 mph
50 km/h = 31 mph
80 km/h = 50 mph
100 km/h = 62 mph
130 km/h = 81 mph

CONVERSION FACTORS FOR DIMENSIONS

Inches (Fraction)	Decimal Inches	Inches											
		0"	1"	2"	3"	4"	5"	6"	7"	8"	9"	10"	11"
		Millimeter Millimeters											
0"	0,0000	0,00	25,40	50,80	76,20	101,60	127,00	152,40	177,80	203,20	228,60	254,00	279,40
1/64"	0,0156	0,40	25,80	51,20	76,60	102,00	127,40	152,80	178,20	203,60	229,00	254,40	279,80
1/32	0,0313	0,79	26,19	51,59	76,99	102,39	127,79	153,19	178,59	203,99	229,39	254,79	280,19
3/64	0,0469	1,19	26,59	51,99	77,39	102,79	128,19	153,59	178,99	204,39	229,79	255,19	280,59
1/16	0,0625	1,59	26,99	52,39	77,79	103,19	128,59	153,99	179,39	204,79	230,19	255,59	280,99
5/64	0,0781	1,98	27,38	52,78	78,18	103,58	128,98	154,38	179,78	205,18	230,58	255,98	281,38
3/32	0,0938	2,38	27,78	53,18	78,58	103,98	129,38	154,78	180,18	205,58	230,98	256,38	281,78
7/64	0,1094	2,78	28,18	53,58	78,98	104,38	129,78	155,18	180,58	205,98	231,38	256,78	282,18
1/8	0,1250	3,18	28,58	53,98	79,38	104,78	130,18	155,58	180,98	206,38	231,78	257,18	282,58
9/64	0,1406	3,57	28,97	54,37	79,77	105,17	130,57	155,97	181,37	206,77	232,17	257,57	282,97
5/32	0,1563	3,97	29,37	54,77	80,17	105,57	130,97	156,37	181,77	207,17	232,57	257,97	283,37
11/64	0,1719	4,37	29,77	55,17	80,57	105,97	131,37	156,77	182,17	207,57	232,97	258,37	283,77
3/16	0,1875	4,76	30,16	55,56	80,96	106,36	131,76	157,16	182,56	207,96	233,36	258,76	284,16
13/64	0,2031	5,16	30,56	55,96	81,36	106,76	132,16	157,56	182,96	208,36	233,76	259,16	284,56
7/32	0,2188	5,56	30,96	56,36	81,76	107,16	132,56	157,96	183,36	208,76	234,16	259,56	284,96
15/64	0,2344	5,95	31,35	56,75	82,15	107,55	132,95	158,35	183,75	209,15	234,55	259,95	285,35
1/4	0,2500	6,35	31,75	57,15	82,55	107,95	133,35	158,75	184,15	209,55	234,95	260,35	285,75
17/64	0,2656	6,75	32,15	57,55	82,95	108,35	133,75	159,15	184,55	209,95	235,35	260,75	286,15
9/32	0,2813	7,14	32,54	57,94	83,34	108,74	134,14	159,54	184,94	210,34	235,74	261,14	286,54
19/64	0,2969	7,54	32,94	58,34	83,74	109,14	134,54	159,94	185,34	210,74	236,14	261,54	286,94
5/16	0,3125	7,94	33,34	58,74	84,14	109,54	134,94	160,34	185,74	211,14	236,54	261,94	287,34
21/64	0,3281	8,33	33,73	59,13	84,53	109,93	135,33	160,73	186,13	211,53	236,93	262,33	287,73
11/32	0,3438	8,73	34,13	59,53	84,93	110,33	135,73	161,13	186,53	211,93	237,33	262,73	288,13
23/64	0,3594	9,13	34,53	59,93	85,33	110,73	136,13	161,53	186,93	212,33	237,73	263,13	288,53
3/8	0,3750	9,53	34,93	60,33	85,73	111,13	136,53	161,93	187,33	212,73	238,13	263,53	288,93
25/64	0,3906	9,92	35,32	60,72	86,12	111,52	136,92	162,32	187,72	213,12	238,52	263,92	289,32
13/32	0,4063	10,32	35,72	61,12	86,52	111,92	137,32	162,72	188,12	213,52	238,92	264,32	289,72
27/64	0,4219	10,72	36,12	61,52	86,92	112,32	137,72	163,12	188,52	213,92	239,32	264,72	290,12
7/16	0,4375	11,11	36,51	61,91	87,31	112,71	138,11	163,51	188,91	214,31	239,71	265,11	290,51
29/64	0,4531	11,51	36,91	62,31	87,71	113,11	138,51	163,91	189,31	214,71	240,11	265,51	290,91
15/32	0,4688	11,91	37,31	62,71	88,11	113,51	138,91	164,31	189,71	215,11	240,51	265,91	291,31
31/64	0,4844	12,30	37,70	63,10	88,50	113,90	139,30	164,70	190,10	215,50	240,90	266,30	291,70
1/2	0,5000	12,70	38,10	63,50	88,90	114,30	139,70	165,10	190,50	215,90	241,30	266,70	292,10
33/64	0,5156	13,10	38,50	63,90	89,30	114,70	140,10	165,50	190,90	216,30	241,70	267,10	292,50
17/32	0,5313	13,49	38,89	64,29	89,69	115,09	140,49	165,89	191,29	216,69	242,09	267,49	292,89
35/64	0,5469	13,89	39,29	64,69	90,09	115,49	140,89	166,29	191,69	217,09	242,49	267,89	293,29
9/16	0,5625	14,29	39,69	65,09	90,49	115,89	141,29	166,69	192,09	217,49	242,89	268,29	293,69
37/64	0,5781	14,68	40,08	65,48	90,88	116,28	141,68	167,08	192,48	217,88	243,28	268,68	294,08
19/32	0,5938	15,08	40,48	65,88	91,28	116,68	142,08	167,48	192,88	218,28	243,68	269,08	294,48
39/64	0,6094	15,48	40,88	66,28	91,68	117,08	142,48	167,88	193,28	218,68	244,08	269,48	294,88
5/8	0,6250	15,88	41,28	66,68	92,08	117,48	142,88	168,28	193,68	219,08	244,48	269,88	295,28
41/64	0,6406	16,27	41,67	67,07	92,47	117,87	143,27	168,67	194,07	219,47	244,87	270,27	295,67
21/32	0,6563	16,67	42,07	67,47	92,87	118,27	143,67	169,07	194,47	219,87	245,27	270,67	296,07
43/64	0,6719	17,07	42,47	67,87	93,27	118,67	144,07	169,47	194,87	220,27	245,67	271,07	296,47
11/16	0,6875	17,46	42,86	68,26	93,66	119,06	144,46	169,86	195,26	220,66	246,06	271,46	296,86
45/64	0,7031	17,86	43,26	68,66	94,06	119,46	144,86	170,26	195,66	221,06	246,46	271,86	297,26
23/32	0,7188	18,26	43,66	69,06	94,46	119,86	145,26	170,66	196,06	221,46	246,86	272,26	297,66
47/64	0,7344	18,65	44,05	69,45	94,85	120,25	145,65	171,05	196,45	221,85	247,25	272,65	298,05
3/4	0,7500	19,05	44,45	69,85	95,25	120,65	146,05	171,45	196,85	222,25	247,65	273,05	298,45
49/64	0,7656	19,45	44,85	70,25	95,65	121,05	146,45	171,85	197,25	222,65	248,05	273,45	298,85
25/32	0,7813	19,84	45,24	70,64	96,04	121,44	146,84	172,24	197,64	223,04	248,44	273,84	299,24
51/64	0,7969	20,24	45,64	71,04	96,44	121,84	147,24	172,64	198,04	223,44	248,84	274,24	299,64
13/16	0,8125	20,64	46,04	71,44	96,84	122,24	147,64	173,04	198,44	223,84	249,24	274,64	300,04
53/64	0,8281	21,03	46,43	71,83	97,23	122,63	148,03	173,43	198,83	224,23	249,63	275,03	300,43
27/32	0,8438	21,43	46,83	72,23	97,63	123,03	148,43	173,83	199,23	224,63	250,03	275,43	300,83
55/64	0,8594	21,83	47,23	72,63	98,03	123,43	148,83	174,23	199,63	225,03	250,43	275,83	301,23
7/8	0,8750	22,23	47,63	73,03	98,43	123,83	149,23	174,63	200,03	225,43	250,83	276,23	301,63
57/64	0,8906	22,62	48,02	73,42	98,82	124,22	149,62	175,02	200,42	225,82	251,22	276,62	302,02
29/32	0,9063	23,02	48,42	73,82	99,22	124,62	150,02	175,42	200,82	226,22	251,62	277,02	302,42
59/64	0,9219	23,42	48,82	74,22	99,62	125,02	150,42	175,82	201,22	226,62	252,02	277,42	302,82
15/16	0,9375	23,81	49,21	74,61	100,01	125,41	150,81	176,21	201,61	227,01	252,41	277,81	303,21
61/64	0,9531	24,21	49,61	75,01	100,41	125,81	151,21	176,61	202,01	227,41	252,81	278,21	303,61
31/32	0,9688	24,61	50,01	75,41	100,81	126,21	151,61	177,01	202,41	227,81	253,21	278,61	304,01
63/64	0,9844	25,00	50,40	75,80	101,20	126,60	152,00	177,40	202,80	228,20	253,60	279,00	304,40

PART NUMBER INDEX

6MHM75100D40	18	087SPET09911	248	095K2020F	136	092013E.2000	269
6MHM75100D40	237	087SPET09912	248	095K2020F00	136	092013S200	269
6MHM75100S40	17	087SPET10911	249	095K2525F00	137	092013S300	269
6MHM75100S40	236	087SPET11911	249	095K2525L00	137	092013S400	269
9A040K10055MS01	239	087SPET12911	254	095K2525R00	137	092013S500	269
9D080KB3/8-6MS01	239	087SPET13911	254	095K3030F00	137	092013S.2000	269
9E040KGU1-2-2.5MNS01	240	087SPET14911	254	095K3030L00	137	092014	271
9E040KGU1-2-2.5MNS01	240	087SPET15911	254	095K3030R00	137	092300	266
087EPE01711	245	087SPST01911	256	095K3535F00	137	092301	266
087EPE01911	245	087SPST02911	256	095K3535L00	137	092302	266
087EPE01931	245	087SPST03911	256	095K3535R00	137	092303	266
087EPE02911	245	087SPST04911	256	095K4040F00	137	092304	266
087EPE02931	245	092EBF1-2ID30	228	095K4040L00	137	092305	266
087EPE02941	245	092EBF3-8ID24S01	228	095K4040R00	137	092305	270
087EPE03911	245	093VS06	234	095K4545F00	137	093040	231
087EPE03912	245	093VS06S01	234	095K4545L00	137	093043	230
087EPE04721	245	093VS08	234	095K4545R00	137	093043S02	230
087EPE04731	245	093VS08S01	234	095K5050F00	137	093044	229
087EPE04911	245	093VS10	234	095K5050L00	137	093045	230
087EPE04921	245	093VS10S01	234	095K5050R00	137	093045S03	230
087EPE05911	245	093VS12	234	095K6060F00	137	093046	229
087EPE06711	246	093VS12S01	234	095K6060L00	137	093059	233
087EPE07911	246	095A2525F	137	095K6060R00	137	093094	229
087EPE07912	246	095A2525L	137	095KF2525F00	139	093156	235
087EPE07913	246	095A2525R	137	095KF3030F00	139	093166	235
087SPES01911	251	095A3030F	137	095KF3535F00	139	093166SW	235
087SPES02911	250	095A3030L	137	095KF4040F00	139	093169	235
087SPES03911	250	095A3030R	137	095KF4545F00	139	093169SW	235
087SPES04911	251	095A3535F	137	095KF5050F00	139	093401	232
087SPES05911	251	095A3535L	137	095KF6060F00	139	093813A04	233
087SPES06911	250	095A3535R	137	095S3030A00	141	093813A04S01	233
087SPES06912	250	095A4040F	137	095S4040A00	141	093813M04	233
087SPES07911	252	095A4040L	137	095SF3030A00	141	093813M04S01	233
087SPES08911	252	095A4040R	137	095SF4040A00	141	093814A45	233
087SPES09911	252	095A4545F	137	095SR3030A00	141	093814A45S01	233
087SPES10911	252	095A4545L	137	095SR4040A00	141	093814M45	233
087SPES11911	252	095A4545R	137	095SUF3030A00	172	093814M45S01	233
087SPES11911-BL	16	095A5050F	137	095SUR3030A00	172	093815M45	233
087SPES11911-BL	252	095A5050L	137	340ME452	228	093815M45S01	233
087SPES11911-EMI	252	095A5050R	137	340ME452S01	228	095005	144
087SPES11911-SI	252	095A6060F	137	06002SH0001R01	132	095005S02	144
087SPES11912	252	095A6060L	137	06002SH0001R01S01	132	095006	146
087SPES12911	253	095A6060R	137	089201	75	095006K	146
087SPES12912	253	095AF4040FS01	140	089202	75	095006S01	146
087SPES13911	251	095E2020F	136	089203	76	095007	152
087SPES13912	251	095E2525F	138	089204	76	095007S01	152
087SPES13913	251	095E2525L	138	092001	265	095007SB	152
087SPES14911	255	095E2525R	138	092008	267	095007SBS01	152
087SPES15911	255	095E3030F	138	092009	267	095008	153
087SPES16911	249	095E3030L	138	092010	267	095008S01	153
087SPES16912	249	095E3030R	138	092010	267	095009	148
087SPES16913	249	095E3535F	138	092013	270	095009F	174
087SPET01911	247	095E3535L	138	092013A200	269	095009S01	148
087SPET02911	247	095E3535R	138	092013A300	269	095010	151
087SPET03911	247	095E4040F	138	092013A400	269	095010S01	151
087SPET04911	247	095E4040L	138	092013A500	269	095022F00	135
087SPET04912	247	095E4040R	138	092013A.2000	269	095023L	134
087SPET04913	247	095E4545F	138	092013C200	269	095023R	134
087SPET05911	248	095E4545L	138	092013C300	269	095065	143
087SPET06911	248	095E4545R	138	092013C400	269	095072	183
087SPET07911	248	095E5050F	138	092013C500	269	095072S02	182
087SPET08911	248	095E5050L	138	092013C.2000	269	095074	167
087SPET08911-BL	248	095E5050R	138	092013E200	269	095300	142
087SPET08911-EMI	248	095E6060F	138	092013E300	269	095300F	142
087SPET08911-SI	248	095E6060L	138	092013E400	269	095400	142
087SPET08912	248	095E6060R	138	092013E500	269	095401L	175

PART NUMBER INDEX

095401LS01	175	0810103S01	38	0810134	31	0810214	50	0810257	47
095401R	175	0810103S02	38	0810135	31	0810215	50	0810257	217
095401RS01	175	0810103S03	38	0810135S01	31	0810216	50	0810258	47
0810001	38	0810103S04	38	0810136	31	0810217	50	0810258	217
0810002	38	0810103S05	38	0810137	31	0810218	50	0810259	47
0810010	61	0810104	38	0810138	34	0810219	50	0810259	217
0810011	61	0810104S01	38	0810141	31	0810220	50	0810260	47
0810012	61	0810104S02	38	0810142	31	0810221	50	0810260	217
0810039	61	0810104S03	38	0810143	31	0810222	50	0810261	47
0810040	61	0810104S04	38	0810144	31	0810223	50	0810261	217
0810041	61	0810105	38	0810145	31	0810224	50	0810261RC	222
0810042	61	0810105E	38	0810145S01	31	0810225	50	0810261RCE	222
0810043	61	0810105S01	38	0810145S02	31	0810226	50	0810262	47
0810044	61	0810105S02	38	0810146	31	0810227	50	0810262	217
0810045	61	0810105S03	38	0810147	31	0810228	50	0810263	47
0810046	61	0810106	38	0810148	31	0810229	50	0810263	217
0810046S01	61	0810106S02	38	0810149	31	0810230	50	0810264	47
0810047	61	0810106S03	38	0810150	31	0810231	50	0810264	217
0810048	61	0810106S04	38	0810151	31	0810232	50	0810265	47
0810049	61	0810107	38	0810152	31	0810233	50	0810265	217
0810050	61	0810112	41	0810153	31	0810234	50	0810266	47
0810051	61	0810112GL30	41	0810153S01	31	0810235	82	0810266	217
0810052	61	0810112GL50	41	0810154	31	0810236	82	0810267	47
0810053	61	0810112GL60	41	0810155	31	0810237	51	0810267	217
0810054	63	0810112S01	43	0810156	34	0810237	51	0810268	47
0810056	66	0810112S02	43	0810159	31	0810238	51	0810268	217
0810057	66	0810112S03	43	0810160	31	0810238	51	0810269	47
0810058	66	0810113	41	0810161	31	0810238S01	55	0810269	217
0810058R01	226	0810113GL30	41	0810162	31	0810239	51	0810270	47
0810059	66	0810113GL50	41	0810163	31	0810239R01	50	0810270	217
0810060	66	0810113GL60	41	0810164	31	0810239R01	50	0810271	47
0810061	66	0810113S01	43	0810165	31	0810239R01	51	0810271	217
0810062	66	0810113S03	43	0810166	34	0810239R01	52	0810272	47
0810063	66	0810114	41	0810166E	34	0810239R01	57	0810272	217
0810064	66	0810114E	41	0810167	34	0810239R01	58	0810273	47
0810065	66	0810114GL30	41	0810167E	34	0810239R01	226	0810273	217
0810066	66	0810114GL50	41	0810168	34	0810240	51	0810274	47
0810067	66	0810114S03	40	0810168S03	27	0810240	51	0810274	217
0810068	66	0810114S04	40	0810169	34	0810241	51	0810275	47
0810069	66	0810115	41	0810169S03	27	0810241	51	0810275	217
0810070	66	0810115GL30	41	0810174	26	0810242	51	0810276	47
0810071	66	0810115GL50	41	0810174S01	26	0810243	51	0810276	217
0810072	64	0810116	41	0810174S02	26	0810243	51	0810277	47
0810073	64	0810116ES02	43	0810175	26	0810244	51	0810277	217
0810074	64	0810117	40	0810175S01	26	0810244	51	0810278	47
0810075	64	0810117S01	43	0810175S02	26	0810245	51	0810278	217
0810076	64	0810117S01E	43	0810176	26	0810247	47	0810279	47
0810077	64	0810117S02	43	0810176S05	26	0810247	217	0810279	217
0810088	64	0810118	40	0810176S06	26	0810248	47	0810280	47
0810089	64	0810121	71	0810177S01	26	0810248	217	0810280	217
0810093	67	0810122	71	0810177S03	26	0810249	47	0810281	47
0810093E	67	0810123	31	0810177S04	26	0810249	217	0810281	217
0810093S01	67	0810123E	31	0810182	36	0810250	47	0810282	47
0810093S03	67	0810123R01	226	0810182E	36	0810250	217	0810282	217
0810094	75	0810124	31	0810182S01	36	0810251	47	0810283	47
0810094S01	74	0810125	31	0810203	50	0810251	217	0810283	217
0810094S06	74	0810126	31	0810204	50	0810252	47	0810284	47
0810095	69	0810127	31	0810205	50	0810252	217	0810284	217
0810096	69	0810127E	31	0810206	50	0810253	47	0810285	47
0810097	69	0810127ES01	33	0810207	50	0810253	217	0810285	217
0810098	69	0810128	31	0810208	50	0810254	47	0810286	47
0810099	69	0810129	31	0810209	50	0810254	217	0810286	217
0810100	69	0810130	31	0810210	50	0810255	47	0810287	47
0810101	69	0810131	31	0810211	50	0810255	217	0810287	217
0810102	69	0810132	31	0810212	50	0810256	47	0810288	47
0810103	38	0810133	31	0810213	50	0810256	217	0810288	217

PART NUMBER INDEX

0810289	47	0810322	47	0810364	51	0810498	65	0810600	22
0810289	217	0810322	217	0810364	51	0810499	65	0810601	22
0810290	47	0810323	47	0810365	51	0810500	65	0810602	22
0810290	217	0810323	217	0810365	51	0810501	65	0810603	22
0810291	47	0810324	47	0810366	51	0810502	65	0810604	22
0810291	217	0810324	217	0810367	51	0810503	65	0810605	22
0810292	47	0810325	47	0810367	51	0810504	65	0810606	22
0810292	217	0810325	217	0810368	51	0810505	65	0810607	22
0810293	47	0810326	47	0810368	51	0810526	218	0810608	22
0810293	217	0810326	217	0810369	51	0810527	218	0810609	22
0810294	47	0810327	47	0810370	51	0810527S01	218	0810610	22
0810294	217	0810327	217	0810370	51	0810531	84	0810611	22
0810295	47	0810328	47	0810371	51	0810534	31	0810612	22
0810295	217	0810328	217	0810371	51	0810534CP01	30	0810613	22
0810296	47	0810329	47	0810372	51	0810535	31	0810614	22
0810296	217	0810329	217	0810376	36	0810536	31	0810615	22
0810297	47	0810330	47	0810377	224	0810537	31	0810616	22
0810297	217	0810330	217	0810393	39	0810538	31	0810617	22
0810298	47	0810331	47	0810393E	39	0810539	31	0810618	22
0810298	217	0810331	217	0810400	46	0810540	31	0810621	22
0810299	47	0810332	47	0810405	86	0810541	31	0810625	22
0810299	217	0810332	217	0810406	86	0810542	31	0810664	81
0810300	47	0810333	47	0810430	70	0810543	31	0810664S01	81
0810300	217	0810333	217	0810431	70	0810544	31	0810665	81
0810301	47	0810334	47	0810432	70	0810545	31	0810665S01	81
0810301	217	0810334	217	0810433	70	0810546	31	0810666	24
0810302	47	0810335	47	0810434	70	0810547	31	0810667	24
0810302	217	0810335	217	0810435	70	0810548	31	0810688	219
0810303	47	0810336	47	0810437	40	0810549	31	0810688	219
0810303	217	0810336	217	0810438	40	0810550	31	0810689	219
0810304	47	0810337	47	0810439	42	0810551	31	0810689	219
0810304	217	0810337	217	0810440	42	0810552	31	0810690	219
0810305	47	0810338	47	0810441	42	0810553	31	0810690	219
0810305	217	0810338	217	0810442	42	0810554	31	0810691	219
0810306	47	0810339	47	0810443	42	0810555	31	0810691	219
0810306	217	0810339	217	0810444	42	0810556	31	0810692	219
0810307	47	0810340	47	0810447	22	0810557	31	0810693	219
0810307	217	0810340	217	0810448	22	0810558	31	0810694	219
0810308	47	0810341	47	0810449	22	0810559	31	0810695	219
0810308	217	0810341	217	0810450	22	0810560	31	0810696	219
0810309	47	0810342	47	0810451	22	0810561	31	0810697	219
0810309	217	0810342	217	0810452	22	0810571	35	0810708	28
0810310	47	0810343	47	0810453	22	0810572	35	0810708	221
0810310	217	0810343	217	0810454	22	0810573	35	0810709	221
0810311	47	0810344	47	0810455	23	0810574	35	0810710	221
0810311	217	0810344	217	0810456	23	0810575	35	0810710S01	221
0810312	47	0810345	47	0810457	23	0810576	35	0810711	220
0810312	217	0810345	217	0810458	23	0810577	35	0810712	220
0810313	47	0810346	47	0810459	220	0810578	35	0810712S01	220
0810313	217	0810346	217	0810460	220	0810579	35	0810713	220
0810314	47	0810347	225	0810461	220	0810580	35	0810714	25
0810314	217	0810355	51	0810462	220	0810581	35	0810715	25
0810315	47	0810355	51	0810463	220	0810582	35	0810725	37
0810315	217	0810356	51	0810464	220	0810583	35	0810726	37
0810316	47	0810356	51	0810465	220	0810584	35	0810733	45
0810316	217	0810357	51	0810466	220	0810585	35	0810734	45
0810317	47	0810358	51	0810488	52	0810586	35	0810735	45
0810317	217	0810358	51	0810489	52	0810591	22	0810736	45
0810318	47	0810359	51	0810490	52	0810592	22	0810741	45
0810318	217	0810359	51	0810491	52	0810593	22	0810742	45
0810319	47	0810360	51	0810492	52	0810594	22	0810743	45
0810319	217	0810361	51	0810493	52	0810595	22	0810744	45
0810320	47	0810361	51	0810494	52	0810596	22	0810749	45
0810320	217	0810362	51	0810495	52	0810597	22	0810750	45
0810321	47	0810362	51	0810496	52	0810598	22	0810751	45
0810321	217	0810363	51	0810497	52	0810599	22	0810752	45

PART NUMBER INDEX

0810757	45	0810875	45	0810941	45	0811012	23	0812142	35
0810758	45	0810876	45	0810942	45	0811017	37	0812142E	35
0810759	45	0810877	45	0810943	45	0811018	37	0812143	35
0810760	45	0810878	45	0810944	45	0811019	37	0812143E	35
0810765	45	0810879	45	0810945	45	0811020	37	0812144	35
0810766	45	0810880	45	0810946	45	0811021	37	0812144E	35
0810767	45	0810881	45	0810947	45	0811022	37	0812145	35
0810768	45	0810882	45	0810948	45	0811025	28	0812145E	35
0810773	45	0810883	45	0810949	45	0811026	28	0812146	35
0810774	45	0810884	45	0810950	45	0811027	28	0812146E	35
0810775	45	0810885	45	0810951	45	0811028	28	0812147	35
0810776	45	0810886	45	0810952	45	0811029	29	0812147E	35
0810781	45	0810887	45	0810953	45	0811030	29	0812148	35
0810782	45	0810888	45	0810954	45	0811031	29	0812148E	35
0810783	45	0810889	45	0810955	45	0811032	29	0812149	35
0810784	45	0810890	45	0810956	45	0811033	110	0812149E	35
0810789	45	0810891	45	0810957	45	0811035	122	0812150E	33
0810790	45	0810892	45	0810958	45	0811036	122	0812151RCS01	223
0810791	45	0810893	45	0810959	45	0811037	71	0812151RCS02	223
0810792	45	0810894	45	0810960	45	0811038	39	0812151RCS03	223
0810797	45	0810895	45	0810961	45	0811038S01	39	0812151RCS04	223
0810798	45	0810896	45	0810962	45	0811039	51	0812151RCS05	223
0810799	45	0810897	45	0810963	45	0811039	51	0813001	64
0810800	45	0810898	45	0810964	45	0811040	51	0813003	64
0810805	45	0810899	45	0810965	45	0811040	51	0813004	64
0810806	45	0810900	45	0810966	45	0811041	51	0813005	64
0810807	45	0810901	45	0810967	45	0811042	132	0813006	64
0810808	45	0810902	45	0810968	45	0811043	132	0813007	64
0810813	45	0810903	45	0810969	45	0811044	61	0813009	64
0810814	45	0810904	45	0810970	45	0811045	61	0813011	64
0810815	45	0810905	45	0810971	45	0811046	61	0813012	64
0810816	45	0810906	45	0810972	45	0811047	61	0813013	64
0810821	45	0810907	45	0810973	45	0811048	61	0813014	64
0810822	45	0810908	45	0810974	45	0811049	61	0813015	64
0810823	45	0810909	45	0810975	45	0811050	60	0813016	64
0810824	45	0810910	45	0810976	45	0811051	60	0813017	64
0810829	45	0810911	45	0810977	45	0811052	60	0813018	64
0810830	45	0810912	45	0810978	45	0811053	60	0813019	64
0810831	45	0810913	45	0810979	45	0811054	60	0813021	64
0810832	45	0810914	45	0810980	45	0811055	60	0813023	64
0810837	45	0810915	45	0810981	45	0811056	60	0813024	64
0810838	45	0810916	45	0810982	45	0811057	60	0813025	64
0810839	45	0810917	45	0810983	45	0811058	60	0813026	64
0810840	45	0810918	45	0810984	45	0811059	60	0813027	64
0810845	45	0810919	45	0810985	45	0811060	60	0813028	64
0810846	45	0810920	45	0810986	45	0811061	60	0813029	64
0810847	45	0810921	45	0810987	45	0811062	60	0813030	64
0810848	45	0810922	45	0810988	45	0811063	60	0813031	64
0810853	45	0810923	45	0810989	45	0811064	60	0813032	64
0810854	45	0810924	45	0810990	45	0811065	60	0813033	64
0810855	45	0810925	45	0810991	45	0811066	60	0813034	64
0810856	45	0810926	45	0810992	45	0811067	60	0813035	64
0810861	45	0810927	45	0810993	45	0811068	62	0813037	64
0810862	45	0810928	45	0810994	45	0811069	62	0813039	64
0810863	45	0810929	45	0810995	45	0811070	62	0813040	64
0810864	45	0810930	45	0810996	45	0811071	62	0813041	64
0810865	45	0810931	45	0810997	45	0811072	62	0813042	64
0810866	45	0810932	45	0810998	45	0811073	62	0813043	64
0810867	45	0810933	45	0810999	45	0811074	66	0813044	64
0810868	45	0810934	45	0811005	23	0811075	66	0813045	64
0810869	45	0810935	45	0811006	23	0811076	66	0813046	64
0810870	45	0810936	45	0811007	23	0811077	66	0813047	64
0810871	45	0810937	45	0811008	23	0811078	66	0813048	64
0810872	45	0810938	45	0811009	23	0811079	66	0813049	64
0810873	45	0810939	45	0811010	23	0811080	66	0813050	64
0810874	45	0810940	45	0811011	23	0811081	66	0813051	64

PART NUMBER INDEX

0813052	70	0813099	56	0813179	106	0813272	131	0813356	176
0813053	70	0813099	56	0813180	100	0813273	131	0813357	176
0813054	70	0813100	56	0813181	100	0813274	131	0813358	176
0813055	70	0813100	56	0813182	100	0813275	131	0813359	176
0813056	70	0813101	56	0813183	100	0813276	131	0813360	176
0813057	70	0813102	56	0813184	117	0813277	131	0813361	177
0813058	54	0813102	56	0813185	117	0813278	131	0813362	177
0813059	54	0813103	56	0813186	117	0813279	131	0813363	178
0813060	54	0813103	56	0813187	117	0813281	170	0813364	178
0813061	54	0813104	56	0813192	120	0813282	170	0813365	178
0813062	72	0813117	58	0813194	119	0813286	151	0813366	178
0813063	72	0813118	58	0813201	93	0813288	151	0813367	178
0813064	72	0813119	58	0813202	108	0813290	169	0813368	178
0813065	68	0813120	58	0813204	121	0813292	169	0813369	178
0813066	68	0813121	58	0813205	121	0813293	169	0813370	178
0813067	68	0813122	58	0813206	104	0813294	155	0813371	180
0813068	68	0813123	58	0813207	104	0813294	293	0813372	180
0813069	68	0813124	58	0813214	105	0813295	184	0813373	180
0813070	68	0813125	58	0813215	105	0813296	184	0813376	181
0813071	68	0813126	53	0813216	105	0813297	184	0813377	181
0813072	57	0813127	53	0813217	105	0813298	184	0813378	192
0813072	57	0813128	53	0813218	105	0813299	154	0813379	192
0813073	57	0813129	53	0813225	124	0813300	154	0813380	192
0813073	57	0813130	53	0813226	124	0813301	154	0813381	192
0813074	57	0813131	53	0813227	124	0813302	154	0813382	196
0813074	57	0813132	83	0813228	124	0813303	153	0813383	196
0813075	57	0813133	83	0813229	124	0813305	153	0813384	196
0813075	57	0813134	83	0813230	124	0813306	153	0813385	196
0813076	57	0813134E	83	0813231	125	0813307	153	0813386	193
0813076	57	0813135	83	0813232	125	0813309	153	0813387	193
0813077	57	0813136	83	0813235	132	0813310	153	0813388	190
0813077	57	0813137	83	0813236	132	0813312	167	0813389	190
0813078	57	0813138	83	0813237	132	0813313	168	0813390	190
0813078	57	0813138E	83	0813238	132	0813313	295	0813391	190
0813079	57	0813139	83	0813239	132	0813314	168	0813392	200
0813079	57	0813140	83	0813240	132	0813314	295	0813393	200
0813080	57	0813141	83	0813241	132	0813315	168	0813394	200
0813080	57	0813142	83	0813242	132	0813315	295	0813395	200
0813081	57	0813142E	83	0813243	132	0813316	168	0813396	205
0813081	57	0813143	83	0813244	132	0813316	295	0813397	205
0813082	57	0813144	83	0813245	132	0813317	166	0813398	206
0813082	57	0813145	83	0813246	132	0813317	294	0813399	210
0813083	57	0813146	83	0813247	132	0813318	59	0813406	201
0813083	57	0813146E	83	0813248	132	0813319	59	0813407	201
0813084	57	0813147	83	0813249	132	0813320	59	0813408	214
0813084	57	0813149	85	0813250	132	0813321	59	0813410	214
0813085	57	0813150	85	0813251	126	0813322	59	0813411	214
0813085	57	0813153	81	0813253	128	0813323	59	0813412	214
0813086	57	0813154	97	0813255	131	0813326	170	0813413	214
0813086	57	0813155	97	0813256	131	0813327	170	0813415	216
0813087	57	0813156	97	0813257	131	0813328	170	0813416	216
0813087	57	0813157	97	0813258	131	0813329	170	0813417	216
0813088	57	0813158	97	0813259	131	0813330	170	0813418	216
0813088	57	0813159	97	0813260	131	0813332	170	0813419	216
0813089	57	0813160	97	0813261	131	0813334	170	0813420	216
0813089	57	0813161	97	0813262	131	0813336	170	0813421	216
0813090	57	0813162	114	0813263	131	0813340	170	0813422	216
0813091	57	0813163	114	0813264	131	0813349	175	0813423	216
0813092	57	0813166	114	0813265	131	0813349	296	0813424	216
0813093	57	0813167	114	0813266	131	0813350	175	0813425	216
0813094	57	0813170	114	0813267	131	0813350	296	0813426	216
0813095	57	0813171	114	0813268	131	0813352	176	0813427	226
0813096	57	0813174	114	0813269	131	0813353	176	0813428	226
0813097	57	0813175	114	0813270	131	0813354	176	0813429	226
0813098	57	0813179	13	0813271	131	0813355	176	0813430	226

PART NUMBER INDEX

0813431	226	0820036	113	0830060	195	0840016	200	0850043	46
0813432	226	0820037	113	0830061	195	0840019	203	0850044	46
0813433	226	0820038	113	0830062	195	0840020	203	0850046	46
0813434	226	0820039	113	0830063	195	0840021	203	0850047	46
0813435	226	0820040	113	0830064	195	0840022	203	0850048	46
0813437	226	0820041	113	0830065	195	0840023	202	0850049	46
0813439	226	0820042	113	0830066	195	0840024	202	0850050	46
0813440	226	0820055	115	0830069S01	192	0840025	202	0850051	46
0813441	225	0820056	115	0830071	191	0840026	202	0850052	46
0813442	227	0820057	115	0830074	194	0840027	203	0850053	46
0813443	227	0820058	115	0830075	191	0840028	203	0850054	46
0813445	265	0820083	109	0830076	194	0840029	203	0850055	46
0813455	268	0820084	109	0830077	165	0840030	203	0850056	46
0813456	268	0820085	109	0830078	165	0840031	205	0850058	46
0813457	268	0820086	109	0830080	166	0840032	205	0850059	46
0813458	268	0820087	109	0830080	294	0840033	208	0850060	46
0813459	268	0820088	109	0830090	163	0840034	208	0850061	46
0813460	268	0820089	109	0830091	163	0840035	208	0850062	46
0813463	262	0820090	109	0830092	163	0840036	208	0850063	46
0813466	260	0820101	111	0830094	164	0840037	208	0850064	46
0813467	260	0820102	111	0830096	164	0840038	202	0850065	46
0813471S01	258	0820114	118	0830097	164	0840039	202	0850066	46
0813472	258	0820115	118	0830099	164	0840040	202	0850067	46
0813474	258	0820132	224	0830109	162	0840041	202	0850068	46
0813475	13	0820141S01	110	0830110	162	0840042	211	0850069	46
0813475	106	0830002	152	0830111	162	0840043	211	0850070	46
0813478	13	0830003	151	0830112	162	0840044	211	0850071	46
0813478	106	0830004	157	0830113	144	0840045	211	0850072	46
0813479	13	0830004S01	157	0830114	144	0840046	211	0850073	46
0813479	106	0830004S02	157	0830115	146	0840047	211	0850074	46
0813481	301	0830012	150	0830115K	146	0840048	211	0850075	46
0813482	301	0830012S01	150	0830116	146	0840049	211	0850076	46
0813489	68	0830012S02	158	0830117	148	0840050	206	0850077	46
0813491	105	0830013	150	0830118	148	0840051	206	0850078	46
0813492	131	0830013S01	150	0830119	167	0840053	201	0850079	46
0813493	131	0830013S02	158	0830120	167	0840054	201	0850080	46
0813494	131	0830015	169	0830123	157	0840056	209	0850081	46
0813569	14	0830016	177	0830169S01	192	0840059	209	0850082	46
0813569	92	0830017	177	0830180	167	0840063	206	0850083	46
0813569S01	14	0830018	177	0830181	167	0840064	211	0850084	46
0813569S01	92	0830019	177	0830184	169	0840064S01	211	0850085	46
0813569S02	14	0830020	177	0830189	173	0840065	159	0850086	46
0813569S02	92	0830021	177	0830190	173	0850003	265	0850087	46
0813569S03	14	0830022	177	0830191	173	0850004	265	0850088	46
0813569S03	92	0830022S01	150	0830192	173	0850005	265	0850089	46
0813569S03	226	0830022S02	150	0830193	173	0850007	263	0850090	46
0813569S04	14	0830023	177	0830194	173	0850008	263	0850091	46
0813569S04	92	0830023S01	150	0830195	173	0850009	263	0850092	46
0813569S05	14	0830023S02	150	0830196	173	0850010	263	0850093	46
0813569S05	92	0830026	156	0830197	173	0850011	263	0850094	46
0814569	216	0830027	156	0830198	173	0850012	263	0850095	46
0814601-04	30	0830030	156	0830199L	204	0850013	263	0850096	46
0814701	79	0830031	156	0830199LS01	207	0850014	263	0850097	46
0814701S01	79	0830047	158	0830199R	204	0850015	263	0850098	46
0820004	116	0830048	158	0830199RS01	207	0850016	263	0850099	46
0820005	116	0830049S01	179	0830201	156	0850018	263	0850100	46
0820011	112	0830051	160	0830204	20	0850019	263	0850101	46
0820012	112	0830052	160	0830204	197	0850020	263	0850102	46
0820013	112	0830053	160	0830206K	146	0850021	263	0850103	46
0820014	112	0830054	160	0830207	182	0850022	261	0850104	46
0820015	112	0830055	161	0840003	208	0850030	264	0850105	46
0820016	112	0830056	161	0840011S01	208	0850031	264	0850106	46
0820017	112	0830057	161	0840013	200	0850032	264	0850107	46
0820018	112	0830058	161	0840014	200	0850033	264	0850108	46
0820035	113	0830059	195	0840015	200	0850034	264	0850109	46

PART NUMBER INDEX

0850110	46	0850192	297	0850270	145	0850307S40	275	0850323S80	279
0850111	14	0850193	186	0850270S01	145	0850307S50	275	0850324S30	279
0850111	92	0850193	297	0850271	145	0850307S60	275	0850324S40	279
0850111S01	14	0850194	187	0850271S01	145	0850307S70	275	0850324S50	279
0850111S01	92	0850194	298	0850272	147	0850307S80	275	0850324S60	279
0850111S02	14	0850195	226	0850272S01	147	0850308S30	277	0850324S70	279
0850111S02	92	0850196	226	0850273	147	0850308S40	277	0850324S80	279
0850111S03	14	0850197	11	0850273S01	147	0850308S50	277	0850325	281
0850111S03	92	0850197	77	0850274	149	0850308S60	277	0850326	281
0850111S04	14	0850197S02	11	0850274S01	149	0850308S70	277	0850327	281
0850111S04	92	0850197S02	77	0850275	149	0850308S80	277	0850328	281
0850111S05	14	0850197S03	11	0850275S01	149	0850309S30	277	0850329	282
0850111S05	92	0850197S03	77	0850289	215	0850309S40	277	0850330	282
0850114	171	0850197S04	11	0850290	266	0850309S50	277	0850331"L"	282
0850115	171	0850197S04	77	0850297	55	0850309S60	277	0850332	283
0850116	171	0850197S05	11	0850297	55	0850309S70	277	0850333	283
0850117	171	0850197S05	77	0850297S01	55	0850309S80	277	0850334S25	283
0850118	171	0850197S06	11	0850297S02	55	0850310S30	277	0850334S50	283
0850119	171	0850197S06	77	0850298	55	0850310S40	277	0850334S75	283
0850120	171	0850204	28	0850298	55	0850310S50	277	0850334S100	283
0850121	171	0850205	28	0850298S01	55	0850310S60	277	0850336	284
0850122	171	0850206	28	0850298S01	55	0850310S70	277	0850337	284
0850123	171	0850207	32	0850298S02	55	0850310S80	277	0850338	285
0850124	171	0850208	32	0850300S30	275	0850311S30	277	0850339	285
0850125	169	0850209	32	0850300S40	275	0850311S40	277	0850340	285
0850126	169	0850210	32	0850300S50	275	0850311S50	277	0850341	286
0850127	169	0850211	32	0850300S60	275	0850311S60	277	0850342	287
0850128	169	0850212	32	0850300S70	275	0850311S70	277	0850343	287
0850129	169	0850213	32	0850300S80	275	0850311S80	277	0850344	287
0850130	169	0850214	32	0850301S30	275	0850312S30	277	0850345	287
0850131	169	0850215	32	0850301S40	275	0850312S40	277	0850346	287
0850132	169	0850216	32	0850301S50	275	0850312S50	277	0850347	287
0850133	169	0850217	32	0850301S60	275	0850312S60	277	0850348	287
0850134	169	0850218	32	0850301S70	275	0850312S70	277	0850349	287
0850135	169	0850220	225	0850301S80	275	0850312S80	277	0850350	287
0850142	54	0850221	225	0850302S30	275	0850313S30	277	0850351	287
0850143	54	0850222	225	0850302S40	275	0850313S40	277	0850352	287
0850144	56	0850223	225	0850302S50	275	0850313S50	277	0850353	287
0850144	56	0850224	84	0850302S60	275	0850313S60	277	0850354	287
0850145	56	0850225	170	0850302S70	275	0850313S70	277	0850355	287
0850145	56	0850226	170	0850302S80	275	0850313S80	277	0850356	287
0850146	56	0850227	170	0850303S30	275	0850314S30	277	0850357	287
0850147	56	0850228	170	0850303S40	275	0850314S40	277	0850358	287
0850147	56	0850229	170	0850303S50	275	0850314S50	277	0850359	287
0850148	56	0850240	66	0850303S60	275	0850314S60	277	0850360	287
0850148	56	0850241	66	0850303S70	275	0850314S70	277	0850361	287
0850149	56	0850242	66	0850303S80	275	0850314S80	277	0850362	287
0850159	300	0850243	66	0850304S30	275	0850315S30	277	0850363	287
0850160	300	0850244	66	0850304S40	275	0850315S40	277	0850364	287
0850161	300	0850245	66	0850304S50	275	0850315S50	277	0850365	287
0850162	300	0850246	66	0850304S60	275	0850315S60	277	0850366	287
0850163	301	0850247	66	0850304S70	275	0850315S70	277	0850367	287
0850164	301	0850248	66	0850304S80	275	0850315S80	277	0850368	287
0850167	222	0850249	66	0850305S30	275	0850316	278	0850369	287
0850180	12	0850250	66	0850305S40	275	0850317	278	0850370	287
0850180	103	0850251	66	0850305S50	275	0850318	278	0850371	287
0850180-XXXX	12	0850254	25	0850305S60	275	0850319	278	0850372	287
0850180-XXXX	103	0850255	25	0850305S70	275	0850320	278	0850373	287
0850182	126	0850256	25	0850305S80	275	0850321	278	0850374	287
0850184	13	0850257	25	0850306S30	275	0850322	278	0850375	287
0850184	106	0850258	25	0850306S40	275	0850322	282	0850376	287
0850185	13	0850259	25	0850306S50	275	0850323S30	279	0850377	287
0850185	106	0850260	25	0850306S60	275	0850323S40	279	0850378	287
0850191	187	0850261	25	0850306S70	275	0850323S50	279	0850379	287
0850191	298	0850262	185	0850306S80	275	0850323S60	279	0850380	287
0850192	186	0850262	296	0850307S30	275	0850323S70	279	0850381	287

PART NUMBER INDEX

0850382	287	0850448	288	0880033	111	0890064	130	0890145	260
0850383	287	0850449	288	0880034	111	0890065	130	0890147	260
0850384	287	0850450	288	0880037	101	0890066	130	0890201	130
0850385	287	0850451	288	0880039	101	0890067	130	0890202	130
0850386	287	0850452	288	0880046	103	0890068	130	0890203	130
0850387	287	0850453	288	0880055	107	0890069	130	0890204	130
0850388	287	0850454	288	0880056	107	0890070	130	0890205	130
0850389	287	0850455	288	0890005	46	0890071	130	0890206	130
0850390	287	0850456	288	0890006	304	0890072	130	0890207	130
0850391	287	0850457	288	0890006E	304	0890073	130	0890211	19
0850392	287	0850458	289	0890008	259	0890074	130	0890211	238
0850393	287	0850459	289	0890008S01	258	0890075	130	0930461	231
0850394	287	0850460	289	0890008S02	258	0890076	130	0930462	231
0850395	287	0850461	289	0890009	259	0890077	130	0930463	231
0850396	287	0850462	289	0890009S01	258	0890078	130	0930464	231
0850397	287	0850463	289	0890009S02	258	0890079	130	0957408	87
0850398	287	0850464	289	0890010	302	0890080	130	0957408	290
0850399	287	0850465	289	0890011	302	0890081	130	0957408S01	87
0850400	287	0850466	289	0890014	302	0890082	130	0957408S01	290
0850401	287	0850467	289	0890015	302	0890083	130	0957409	89
0850402	287	0850468	289	0890020	303	0890084	130	0957409	291
0850403	287	0850469	289	0890021	303	0890085	130	0957409S02	89
0850404	287	0850470	289	0890022	303	0890086	130	0957409S02	291
0850405	287	0850471	289	0890023	303	0890087	130	0957409S03	89
0850406	287	0850472	289	0890024	305	0890088	130	0957409S03	291
0850407	287	0850473	289	0890024E	305	0890089	130	0957410	87
0850408	287	0850474	289	0890025	305	0890090	130	0957410	290
0850409	287	0850475	289	0890025E	305	0890091	130	0957410S01	87
0850410	287	0850476	289	0890026	306	0890092	130	0957410S01	290
0850411	287	0850477	289	0890027	129	0890093	130	0957411	87
0850412	287	0850478	15	0890027E	129	0890093	163	0957411	290
0850413	287	0850478	127	0890028	129	0890094	130	0957411S01	87
0850414	287	0850478S01	15	0890029	128	0890095	130	0957411S01	290
0850415	287	0850478S01	127	0890030	126	0890096	130	0957415	87
0850416	287	0850481	292	0890031	126	0890097	130	0957415	290
0850417	287	0850482	292	0890031S01	126	0890098	130	0957416	87
0850418	287	0850484	78	0890032	126	0890099	130	0957416	290
0850419	287	0850484S01	78	0890033	126	0890100	130	0957417	87
0850420	287	0850486	80	0890034	215	0890101	130	0957417	290
0850421	287	0850487	77	0890035	215	0890102	130	0957420S01	88
0850422	287	0880001	95	0890037	215	0890103	130	0957420S02	88
0850423	287	0880005	95	0890037S01	215	0890104	130	0957431	87
0850424	287	0880009	96	0890040	228	0890105	130	0957431	290
0850425	287	0880010	96	0890041	228	0890106	130	0957432	87
0850426	287	0880011	96	0890042	228	0890107	130	0957432	290
0850427	287	0880012	96	0890043	228	0890108	130	08101000	45
0850428	287	0880013	96	0890044	228	0890109	130	09380010	233
0850429	287	0880014	96	0890045	228	0890110	130	09380020	233
0850430	287	0880015	96	0890046	228	0890111	130	09574040E	144
0850431	287	0880016	96	0890047	228	0890112	130	09575050E	146
0850432	287	0880017	98	0890048	228	0890113	130	09576060E	148
0850433	287	0880018	98	0890049	226	0890114	130	CP0442005	241
0850434	287	0880019	98	0890050	226	0890115	130	CP00926001S01	184
0850435	287	0880020	98	0890051	226	0890126	261	CP10092603	183
0850436	287	0880021	99	0890052	226	0890127	264	CP10189001	80
0850437	287	0880022	99	0890053	226	0890128	264	CP100361004	241
0850438	288	0880023	99	0890054	226	0890129	264	CP101780002	79
0850439	288	0880024	99	0890055	226	0890129CP01	126	CP101809052	80
0850440	288	0880025	94	0890056	226	0890129S01	126	CP101936001	188
0850441	288	0880026	94	0890057	226	0890130	264	CP101936002	188
0850442	288	0880027	94	0890058	214	0890131	264	KT10799051	306
0850443	288	0880028	94	0890059	214	0890132	264	KT10799051E	306
0850444	288	0880029	94	0890060	130	0890133	264	KT10799061	185
0850445	288	0880030	94	0890061	130	0890134	264		
0850446	288	0880031	94	0890062	130	0890143	260		
0850447	288	0880032	94	0890063	130	0890144	260		

August 2016
© FATH, Inc., Orlando, FL 32822, USA

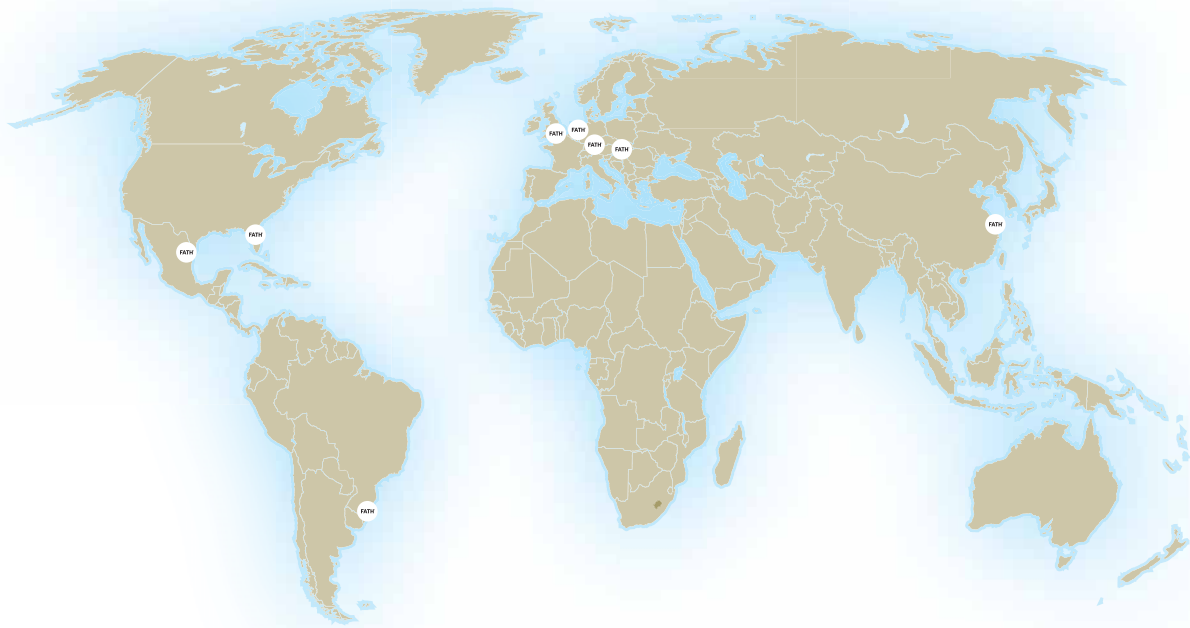
This catalog is copyright material and the proprietor reserves all rights.
Re-print, even of parts, is only allowed with the expressed approval of FATH GmbH / FATH, Inc.

We reserve the right to make technical modifications at any time.
All indications are without guarantee.

Drawings and models are the intellectual property of FATH GmbH.



FATH®



FATH24.US.COM



ECOSYSTEM.FATH24.US.COM

FATH Inc.
6533 Hazeltine National Drive, Suite 3
Orlando, FL 32822

USA
P: +1 407 - 601-5900
F: +1 407 - 601-5905
info.us@fath24.com

FATH do Brasil Componentes Industriais Ltda
Rodovia Raposo Tavares, S/N, KM 22,14
Bloco E - 509 Granja Viana.

Cotia - SP
06709 - 900
Brazil
P: +55 11 2898-9753
info.br@fath24.com

FATH Inc. S.A. de C.V
Av. Central 230, Int. 140
Los Lermas
67188 Guadalupe, N.L.

Mexico
P: +52 81 3424-1428
info.mx@fath24.com

FATH GmbH
Gewerbepark Hügelmühle 31
91174 Spalt
Germany
P: +49 9175 7909-200
F: +49 9175 7909-29
info.de@fath24.com

FATH Kft.
Gyár u. 2.
2040 Budaörs,
Hungary
P: +36 23 880-977
F: +36 23 880-978
info.hu@fath24.com

FATH Ltd.
6 Pegasus Court, North Lane
Aldershot, Hampshire, GU12 4QP
Great Britain
P: +44 1252 346610
info.gb@fath24.com

FATH BV
Rudolf Dieselweg 14
5928 RA Venlo
The Netherlands
P: +31 773333555
F: +31 773333550
info.nl@fath24.com

FATH Machine Components Co., Ltd.
Shengang Road No.2001,
Building 2,
201612 Songjiang/Shanghai
China
P: +86 21 5780 6395
info.cn@fath24.com

Order no. 000144

ENRICH YOUR WORKING LIFE.