



isel[®]
from components to systems



OPERATIONS MANUAL

EUROSCOOTER II



Content

Introduction	2
Delivery.....	3
Usage.....	3
Safety instructions.....	3
Traffic safety.....	4
Load	4
Damaged or worn parts.....	4
Check the delivery.....	4
Adjusting the wheel.....	4
Seat.....	4
Handlebar position.....	4
Service.....	4
Brakes / hydraulic and electric with regenerative power.....	5
Function display and light.....	5
Handbrake and parking position.....	5
Handlebar basket.....	5
General electronics.....	5
Charging the battery.....	6
To charge the battery:.....	6
Replacing the batteries.....	6
Cleaning.....	6
Inspection.....	6
Brakes.....	6
Repair and maintenance instructions.....	6
Disposal.....	6
Transfer / sale to a new owner.....	7
Warranty / Guarantee.....	7
Attention!.....	7
Type /VIN (FIN).....	7
Technical data.....	7
EC Declaration of conformity in accordance with the 2006/42 / EC directive annex II A.....	9

Hersteller: isel Germany AG
 Bürgermeister-Ebert-Straße 40
 D-36124 Eichenzell

Tel: (06659) 981-700
 Fax: (06659) 981-776
 e-mail: automation@isel.com
<https://www.isel.com>

Artikel-Nummer: 940703 BAD01 (Originalbetriebsanleitung)

Revisionsindex	Date of change	Reason of change	Changed by
	09.03.2021	Adjustment total weight page 4 + standards decl.	CB
	17.02.2021	Adjustment total weight	JT
	19.07.2018	First edition	CB

Introduction

This manual gives you important and necessary information in using the EuroScooter2. Please read this manual carefully before using the EuroScooter2. Always follow the instructions according to this instruction manual. For people with limited mental perception and/or physical restrictions, the safety and usage aspects of this user guide should be overseen by a responsible supervisor, otherwise they are excluded from using the EuroScooter2. Persons under the age of 16 are not allowed to use the EuroScooter2. Speed and driving protocol must be adherent to ambient conditions. Usage in the public traffic must coincide with traffic laws and must have appropriate insurance coverage.

Delivery

- EuroScooter2 (with possible packaging)
- Instructions for use (-en)
- Charger (accessory)
- Battery (number depends on options)

Usage

The EuroScooter2 was designed for normal use on a flat, solid surface. Caution is required at all times in using the EuroScooter2 3Rad-mobile. Follow the safety instructions exactly as described in this user manual. Likewise, the current local traffic regulations must always be adhered to. Any other use, including any damage that may result thereto, is not the responsibility of the manufacturer. The EuroScooter2 is designed for in-house transport of goods with one person (driver). Due to its small dimensions, it can pass through normal doors as well as passenger lifts. For road traffic, the vehicle is limited to 15km / h and is listed as "mobility assistance" and authorized individually.

Safety instructions

Important: First read the safety instructions before using the EuroScooter2!

- The EuroScooter2 is suitable for transporting one person plus transport crates. Material and transport crates must be secured against slipping.
- Use only original parts and accessories from ISEL
- Test the reverse and forward gear functions of the electric motor. Always take care when handling the switch on the electric motor not to be surprised by the sudden reaction of the electric motor. Take care to not inadvertently switch on the reverse function of the electric motor.
- Make sure the EuroScooter2 is in good condition before each use. Before driving always check as to whether the brake and the lighting work correctly and make sure that enough air (recommended: 2,5-up to 3 bar) is in the tires.
- Regularly check that the wheels, the handlebars and the saddle are tight as well as to whether all screw connections are well tightened.
- Make sure your fingers and limbs cannot be trapped while driving or steering around obstacles.
- Only ride with tight leg clothing.
- Pay attention to any outstanding, solid or loose parts in or on the EuroScooter2. These can cause damage to the environment or the EuroScooter2.
- Pay attention to any outstanding, solid or loose parts in or on the EuroScooter2. These can cause damage to the environment or the EuroScooter2.
- When parking or left unattended, always leave the EuroScooter2 powered OFF and locked. This will prevent accidental use and / or theft.
- Do not use high pressure or steam cleaners for cleaning.
- Do not expose the EuroScooter2 to direct sunlight: Parts can get hot and this may result in skin irritation and minor burns.
- Use the EuroScooter2 only on a solid and level surface. Soft, slick or uneven terrain increases the risk of dangerous situations.
- Drive carefully on paths that are slick due to rain, ice or snow.
- When driving on an inclined slope or at excessive speed, make sure that the vehicle does not tip.
- Avoid inclinations of more than 15 °. Driving (forwards or backwards) could be a dangerous factor.
- Assume that the braking distance on a slope and increased load would be longer compared to that on a horizontal surface.
- Make sure that when driving downhill or when driving through a tunnel no dangerous speeds are not incurred. Brake in time.
- Drive carefully along curbs. An uneven surface increases the danger of tipping.
- Always drive onto a sidewalk via a driveway. If there is no driveway, always drive straight and frontal on the sidewalk forwards or backwards. Do this at a reasonable speed.
- The maximum threshold height for ascending or descending is 10 cm.
- When transporting the EuroScooter2 in a motor vehicle, always change to a fixed seat in the motor vehicle. EuroScooter2 may not be used as seating in a motor vehicle, even if the EuroScooter2 is secured with a transport lock.

Traffic safety

- If you are impaired in means that can affect your ability to drive, you should not drive the EuroScooter2
- You must have sufficient eyesight to be sure of the situation in every possible situation while driving EuroScooter2.
- Observe the valid traffic rules.
- Make sure that you are noticed by other road users at all times in traffic, you are vulnerable as a user of a EuroScooter2.
- Stop and turn off the electrical system when using your mobile phone.
- In order to drive on a EuroScooter2, you must be trained and at least 16 years old.

Load

- The permissible total load must not exceed (350 kg). See information in the table of technical data on page 7. The term "permitted load" includes transported loads on loading surface plus any weight absorbed by the front basket.
- Make sure that the permitted basket weight does not exceed the maximum of 4 kg. No persons may be transported in the basket!
- Please note that a basket filled with luggage can significantly impede driving ability. No luggage may be transported on the handlebar, which could restrict driving abilities on the EuroScooter2.
- Do not transport anyone on the back-load surface of your EuroScooter2.

Damaged or worn parts

The replacement or repair of damaged or worn parts (frame, fork, lights, brakes, drive) must always be carried out by ISEL specialists. Otherwise the guarantee and warranty claims are invalid and you would be liable for damages occurred! Always replace safety-relevant parts with new parts!

Check the delivery

Please check the delivery immediately upon receipt. In case of damage or incomplete delivery we ask that you to contact ISEL immediately.

Adjusting the wheel

Before using the EuroScooter2, set it to the dimensions of the driver. This is of the utmost importance, especially at the saddle and handlebars. If optimal adjustment is not possible for the driver with the instructions described, please contact ISEL for a suitable solution. The brakes are set correctly by default and may only be controlled and adjusted by ISEL qualified personnel in relation to maintenance work.

Seat

Before using the EuroScooter2, set it to the dimensions of the driver. This is of the utmost importance, especially at the saddle and handlebars. If optimal adjustment is not possible for the driver with the instructions described, please contact ISEL for a suitable solution. The brakes are set correctly by default and may only be controlled and adjusted by ISEL qualified personnel in relation to maintenance work.



Handlebar position

The handlebar position can be changed and adjusted by loosening the handlebars. Please take care whilst aligning, to achieve a firm clamp on the handlebar lugs. The clamping must be done on the corrugated area.

Service

The EuroScooter2 can be driven with a forward and a reverse gear after the first complete battery charge. We recommend the initial driving exercises be done first in slow gear with and without loaded transport crates in the standard environment in order to collect driving experience. The chosen speed should be appropriate and allow a timely stop in dangerous situations. Fast cornering could tilt the EuroScooter2 and cause injury.



Brakes / hydraulic and electric with regenerative power

To come to a standstill, the existing handbrake must be used. To prevent the EuroScooter2 from rolling independently when in a stopped position, the parking brake must be used. Since the brake is operated hydraulically, check and be aware of leaks as well as check the oil level. Before the hydraulic brake engages, an electronically driven system brakes slightly, allowing energy back into the batteries.



Function display and light

The function display has the following switching options with key operation.

- 1 - Off
- 2 - Electric motor on

Front and rear lights are switched directly on the device and can be charged via USB port.

The function display additionally shows the battery charge status and the LED light control lamp



Handbrake and parking position

The hydraulic handbrake of the EuroScooter2s require special attention and all functions must be checked before each ride to see if functions suffice. The parking brake functions by locking the brake lever in the dressed position. The determination can be made by pulling the brake lever and releasing the locking mechanism

Handlebar basket

The EuroScooter2 is equipped with a handlebar basket. Hang the handlebar basket on the handlebar. Make sure that the permitted basket weight does not exceed the maximum of 4 kg. Note that a basket filled with luggage can significantly affect the handling of the EuroScooter2.



General electronics

The battery level can be read off the function display on the handlebar. At low display, the battery is almost empty and must be charged or replaced with a new, charged battery. If you don't use the electric motor for more than a few days the battery should be recharged (trickle charging). If you turn off the device, be sure to turn Electronics off. Protect the electronics and the rechargeable batteries from penetrating water and extreme frost.

Charging the battery

For optimal condition and capacity of the battery, we recommend charging the battery at room temperature. For safety reasons, there should be no flammable material in the area whilst charging.

To charge the battery:

1. Open the cover of the charging plug.
2. Connect the cable of the supplied charger.
3. Then insert the plug of the charger into the socket.
4. Remove the key of the EuroScooter2 to prevent use during loading.
5. Depending on the state of the battery, the charging time is about 4 to 5 hours.
6. When the green light comes on, the battery is fully charged.
7. You should disconnect the plug from the socket only when the battery is fully charged.
8. Then pull the charging plug of the batteries out of the EuroScooter2 and close the cover

Replacing the batteries

When the battery life has run out and your range significantly decreases, you can prepare the vehicle for battery replacement. Safely pack and secure the EuroScooter2 on a pallet transport and send it to ISEL for service. The replacement of the batteries by the customer is not provided for due to necessary ISEL electronic expertise which is required to avoid errors. After the battery replacement a full charge of the batteries is required.

Cleaning

The frame of the EuroScooter2 can be wiped with a damp cloth. For larger dirty areas, you can use a mild detergent. The wheels can be cleaned with a damp, plastic haired brush (not a steel brush!). The seat and handles can be cleaned with mild soap and water. Do not use a high pressure or steam cleaner!

Inspection

After 200 operating hours, or, after a period of 3 months, the EuroScooter2 must be inspected. Inspect the brakes, lighting and bolting on the wheels. In addition, check the tread depth of the tires. Depth must be at least 1 mm. Worn tires or defective parts must be replaced. Also, check the function of the parking brake. With a firmly applied parking brake, the vehicle should not be able to drive away by the driver.

Brakes

The hydraulic disc brake enables safe braking due to its even force distribution. The brake pads should be checked every 3 months and be the minimum of 1 mm in thickness. Hydraulic disc brakes are basically very maintenance-free, but if the closed oil system is leaking or the pressure point of the brake is lost, then it is necessary to do maintenance on the disk brake. This maintenance should be done to the system by ISEL. A customer service is not provided, as errors in oil and settings can be made.

Repair and maintenance instructions

It is recommended to have the EuroScooter2 inspected by an ISEL specialist at least once a year. In case of faults or defects, the EuroScooter2 must be brought immediately to an ISEL service point for repair. The replacement safety-related parts (especially frame, brakes, lights, handlebars, front fork and drive) must be performed by an ISEL specialist.

If you want to replace the parts yourself, you are responsible for any damage or injury caused by not correctly assembling any section. If you use only original spare parts, you can order them directly from ISEL.

Disposal

If you want to dispose your EuroScooter2, please contact your ISEL dealer or your local waste disposal company.

The vehicle should be disposed of in accordance to the regulations in force at your place of residence. The batteries should be sent back to ISEL.

Transfer / sale to a new owner

If you transfer your EuroScooter2 to a new owner, it is important that you give the new owner all the technical equipment originally supplied. This documentation is necessary so that the new owner can safely use the vehicle.

Warranty / Guarantee

Warranty claims refer to all defects of the product which are demonstrably due to material or manufacturing defects. The general terms and conditions of isel Germany AG apply:

<https://www.isel.com/de/unternehmen/agb.html>

Attention!

Non-observance of the operation instructions, as well as improperly performed maintenance work including in particular, technical changes and additions (attachments) without written consent of ISEL, will void the warranty as well as product liability in general.

Type /VIN (FIN)



Technical data

Motor:

- 48 volts 1000 Watt
- max. 195 rpm
- Rated current: 20A
- Nominal torque: 19,7 Nm

Battery pack:

- 12 Volt 20Ah (32Ah) Lead/Gel 4 pieces

Fuses:

- 2A/80V control fuse
- 7,5A/80V fuse charging socket
- 30A/80V drive protection

Speed:

- 1 forward gear max. 15 km/h
- 1 reverse gear with max. 6 km/h

Charging time:

- Approx. 5 hours

Distance:

- Depending on load, terrain and driving style up to 40 km

Weight Dimension:

- 99,6 kg / 123,0 kg empty weight
- max. 350 kg total weight

Dimension (size):

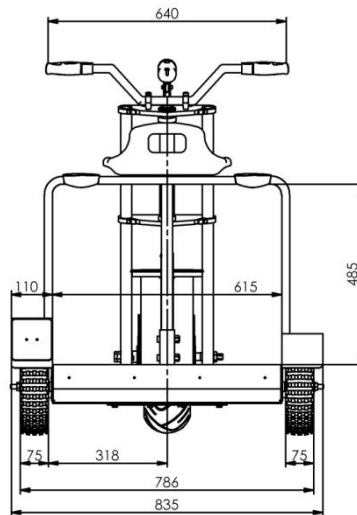
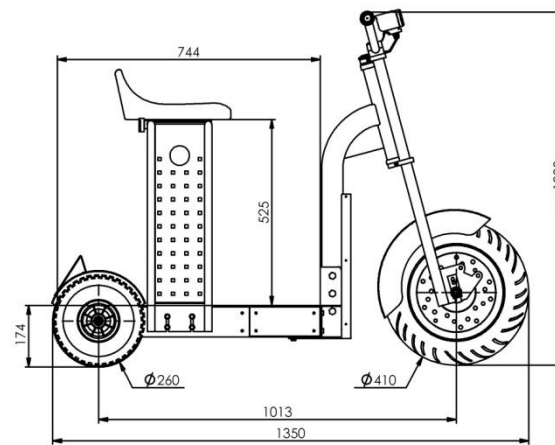
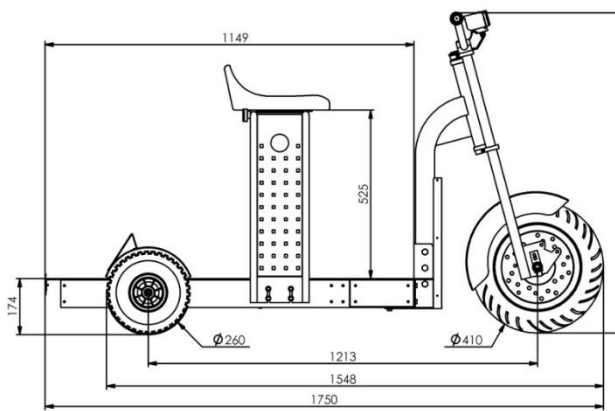
- max. length. 1350 / 1750 mm
- max. width 786 mm
- Height approx.. 1000 mm
- Center axel distance 1013 / 1548 mm

Specifics of Delivery:

- On a pallet
- Function tested
- Wheels, seat stays and front fork must be checked for tight fit
- Battery in trickle mode
- Must be loaded completely
- or made per appointment

EuroScooter2 ES 175 Art.-Nr. 440704

EuroScooter2 ES 135 Art.-Nr. 440703



Technische Änderungen vorbehalten.

EC Declaration of conformity in accordance with the 2006/42 / EC directive annex II 1.A

The Manufacturer **isel Germany AG**
Bürgermeister-Ebert-Straße 40
D-36124 Eichenzell

Hereby declares that the following product

Product name: *EuroScooter2*
Type: EuroScooter2 ES 135 Art.-Nr.: 440703
EuroScooter2 ES 175 Art.-Nr.: 440704

Serial Number:

the provisions of the above Directive, including any amendments thereto is equivalent at the time of declaration.

The following harmonized standards were applied:

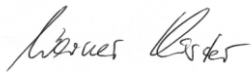
EN ISO 12100:2010 Safety of machinery - General principles for design - Risk assessment and risk reduction.
DIN EN 60204-1:2019-06; Safety of machinery - Electrical equipment of machines - Part 1: General requirements
VDE 0113-1:2019-06

Safety of machinery - Electrical equipment of machinery - Part 1: General requirements

The technical documentation for this machine has been prepared in accordance with Part A of Annex VII. The manufacturer agrees to this **technical documentation** to national authorities upon request.

Authorized representative for the compilation of the technical documentation is: **Mr. Rene Saal**

place, date: Eichenzell, 17. Juli 2018



Werner Kister, Managing board

In the Youtube channel of isel Germany AG you will find a tutorial on how to use the EuroScooter2 II or you can scan the following code:



This does not release you from the obligation to read the operating instructions!

iselGermanyAG

Bürgermeister-Ebert-Str. 40
D-36124 Eichenzell
Tel.: +49 (0) 6659 / 981-700
Fax: +49 (0) 6659 / 981-776

iselGermanyAG

Untere Röde 2
D-36466 Dermbach
Tel.: +49 (0) 36964 / 84-4
Fax: +49 (0) 36964 / 84-510