

SOLAR COMPONENTS

EDITION 1.1 | EN



MIDDLE AND END CLAMPS

1



ROOF HOOKS

2



PLASTIC COVER CAPS

3



CABLE MANAGEMENT FOR PV SYSTEMS

4



REPLACEMENT ROOF TILES

5



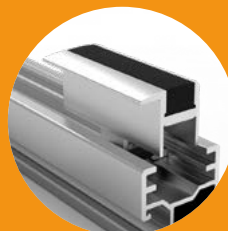
BALLAST CONTAINERS AND BLOCKS

6



FASTENERS FOR SOLAR MOUNTING

7



MOUNTING SYSTEMS

8

FATH

Edition 1.1 | English

Solar Components

WE ARE THE SPECIALISTS IN PLASTIC, ALUMINUM, AND STEEL COMPONENTS AND ASSEMBLIES.

We are a global market leader in components for aluminum profile systems in the industrial sector.

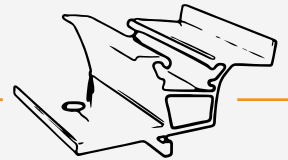
Over 35 years of experience

Standard components for all common aluminum profile systems

We have accumulated many years of experience with components for solar mounting systems.



Since 2008, we have been specializing in mounting components for PV systems.



Our supply chain is global and we manufacture fully integrated in Germany, Eastern Europe, and Asia.

Competent sourcing hubs in Asia and Europe

International over 530 specialists in our team

Our outstanding technical expertise and our extensive machine park are at your disposal.

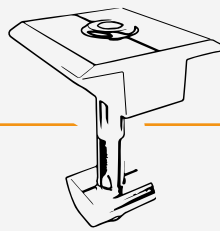
Comprehensive machinery: Plastic injection molding, plastic extrusion, aluminum profile machining, turning, milling, zinc die casting, aluminum die casting, vibratory finishing, powder coating, and much more

Customized components

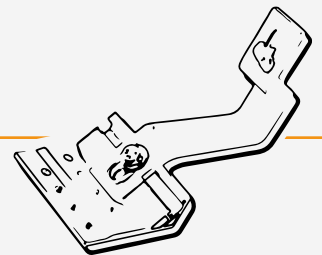
Innovative in-house developments

>10,000 parts in our standard product range

At FATH Solar, we produced one of the first frameless in-roof systems until 2012.

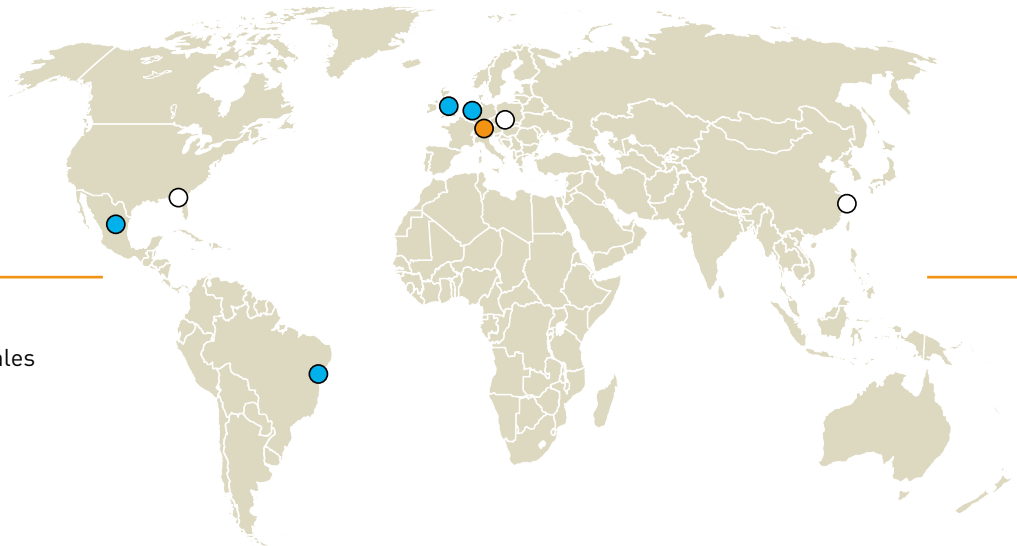


Since 2012, we have focused entirely on the development and manufacture of custom parts in the solar sector.



8 locations worldwide

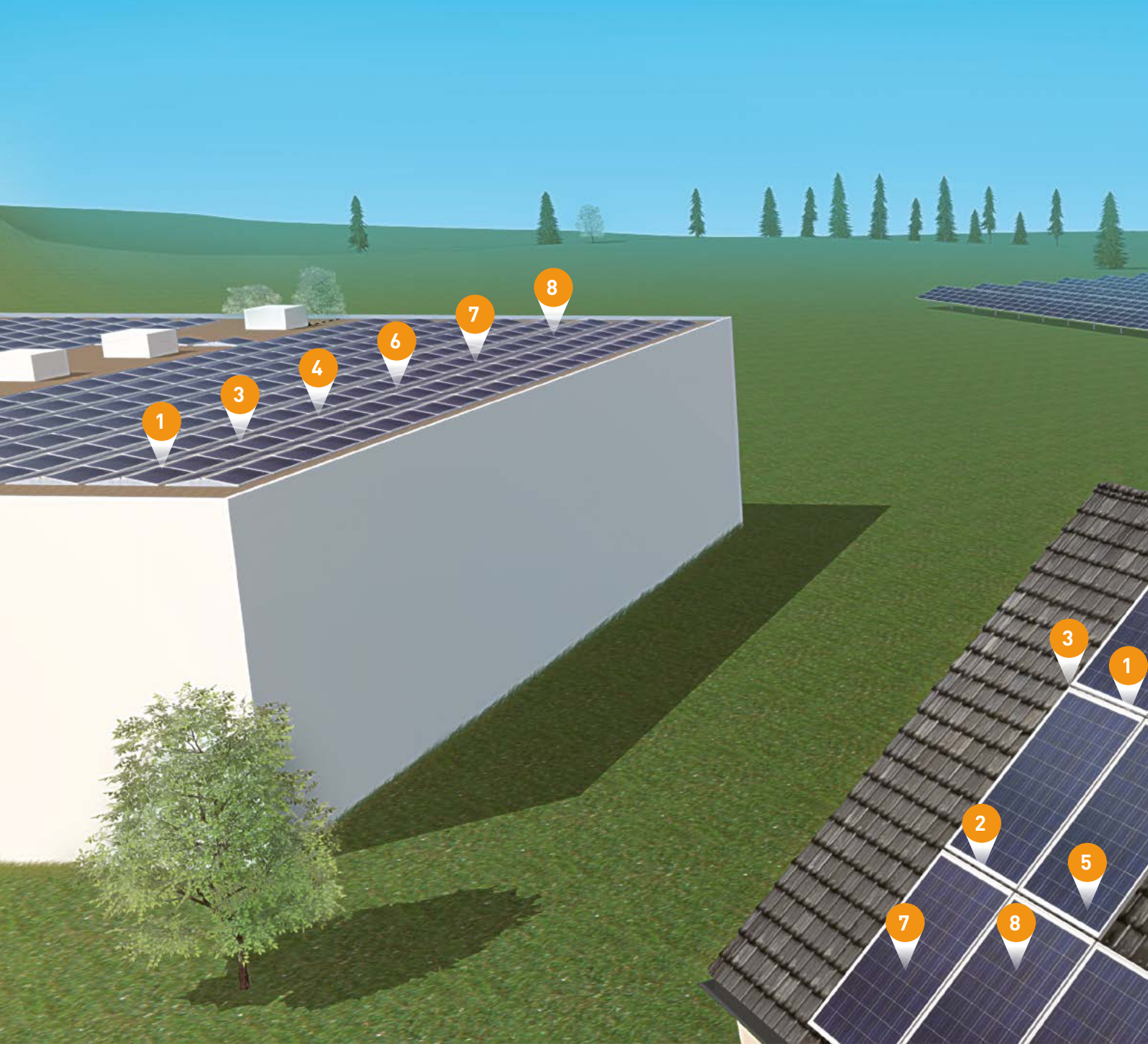
- Headquarters, Production, Sales
- Production, Sales
- Sales



Fully equipped mold and tool shop, complemented by high-precision machines at CEMEC in the FATH ecosystem

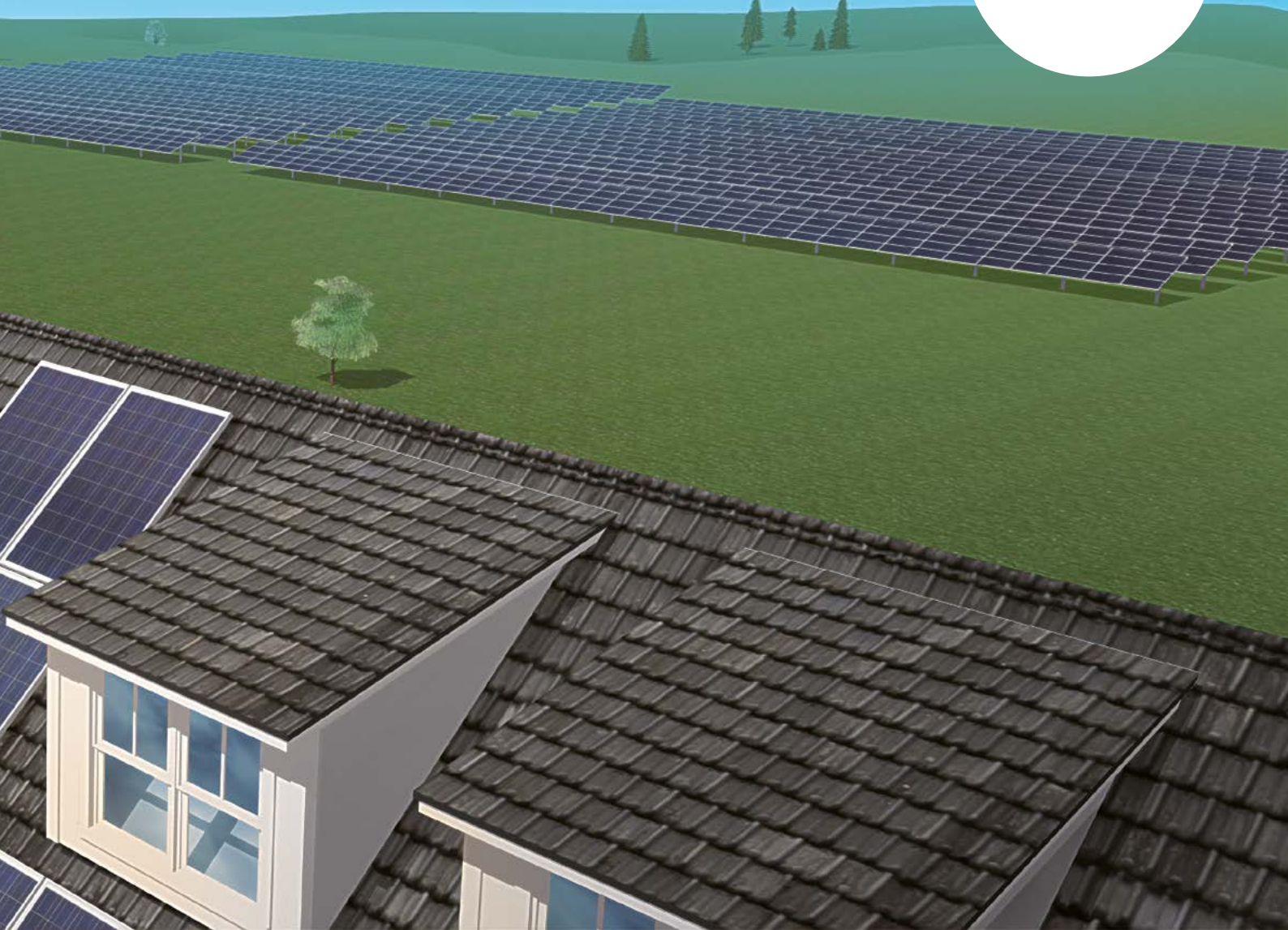
CEMEC: Technical expertise from the aerospace industry, simulation, precision measurement, component optimization

Alternatively: Tool sourcing in Asia directly within the FATH ecosystem

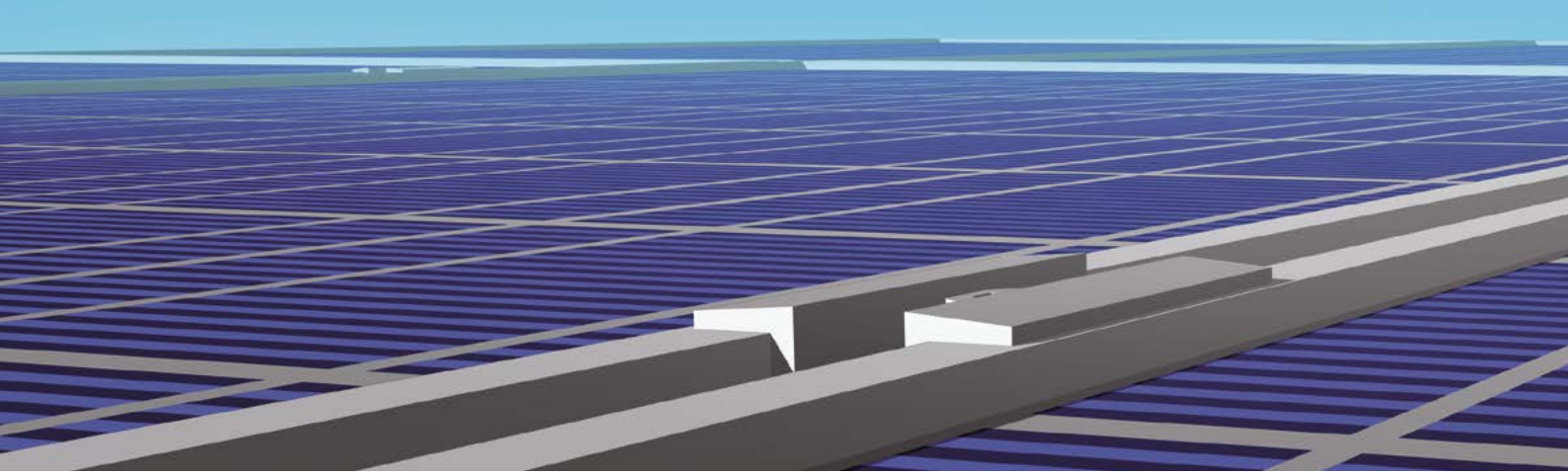


SOLAR COMPONENTS

1	MIDDLE AND END CLAMPS	PAGE 8
2	ROOF HOOKS	PAGE 10
3	PLASTIC COVER CAPS	PAGE 12
4	CABLE MANAGEMENT FOR PV SYSTEMS	PAGE 14



5	REPLACEMENT ROOF TILES	PAGE 20
6	BALLAST CONTAINERS AND BLOCKS	PAGE 22
7	FASTENERS FOR SOLAR MOUNTING	PAGE 24
8	MOUNTING SYSTEMS	PAGE 34



MIDDLE AND END CLAMPS

Customized standards

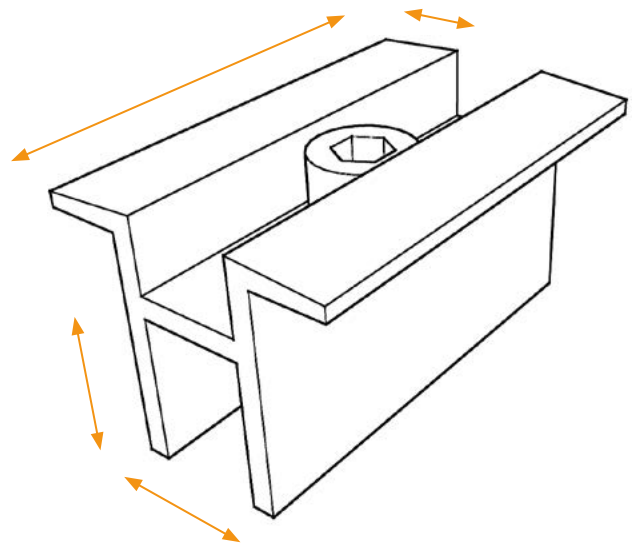
FATH manufactures center and end clamps for various PV mounting systems, for both rooftop and ground-mounted installations.

The clamps usually consist of a profile section that is cut to length and, if necessary, further processed.

We design, engineer, manufacture, machine, assemble, and package the clamps according to your specifications, ready for installation or as a component.

Whether you need a standard shape and design or a custom-made special clamp, whether you know exactly what your clamp should look like or only have a rough set of requirements: FATH is your go-to source for center and end clamps.

Upon request, we can also develop integrated solutions for cover caps or all-black designs.

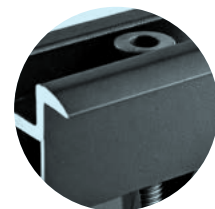
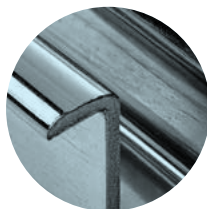
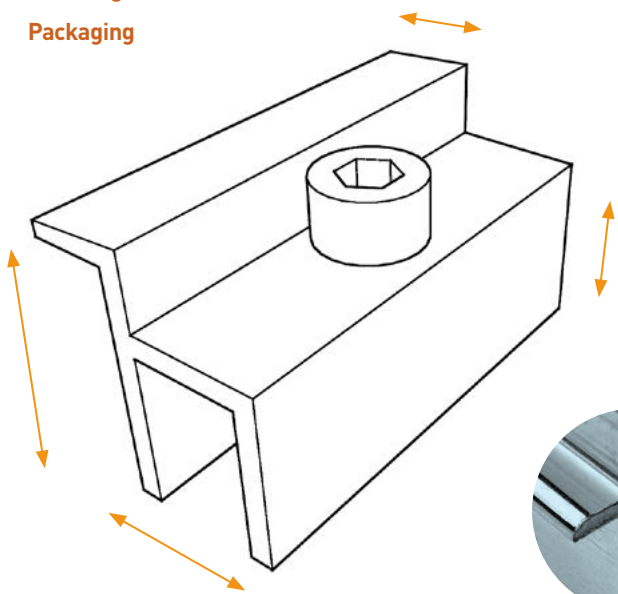


FATH

[var]:
Width
Height
Length
Shape
Material
Surface
Equipotential bonding
Spring elements
Branding
Packaging

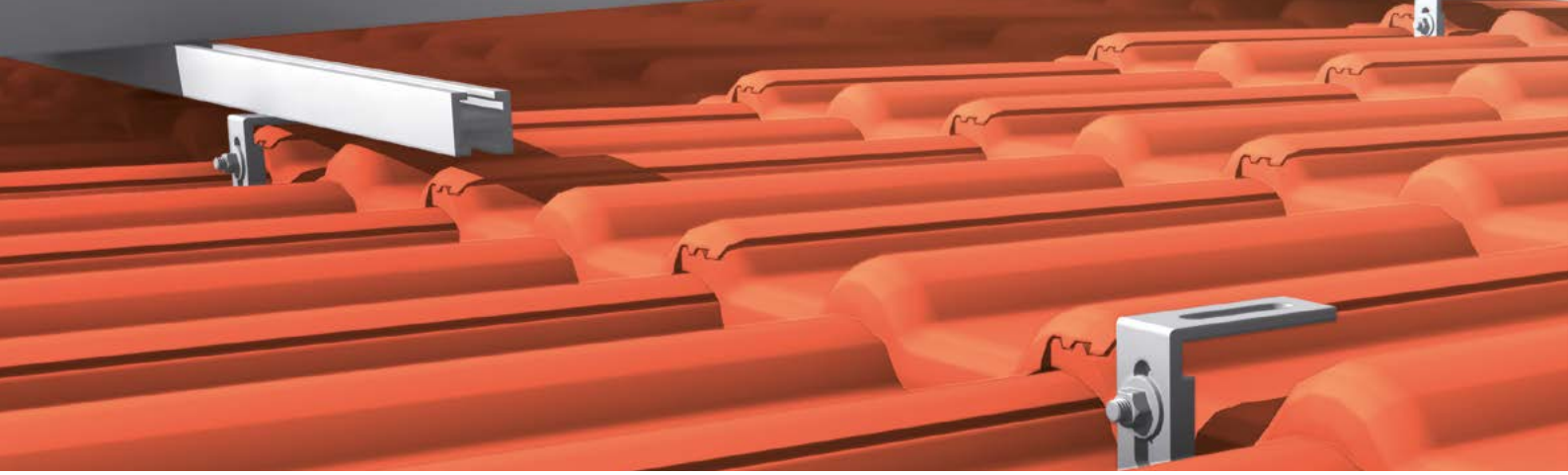
- Available in aluminum, stainless steel sheet, or galvanized steel upon request
- Brushed aluminum or black anodized
- With or without equipotential bonding
- With or without wings
- Available fully pre-assembled
- With spring elements:
Standard, plastic, EPDM
- Branding with your logo

HIGHLIGHTS



ONE ISSUE, MANY SOLUTIONS: FATH HAS THE EXPERTISE IN TERMINAL CLAMPS

Clamps for mounting PV modules must be versatile: Different frame heights, frame widths, and mounting types demand the utmost flexibility from the clamp. What works well with a center clamp becomes a problem with an end clamp: Height-adjustable end clamps, in particular, tend to tilt away from the frame under load. This is neither aesthetically pleasing nor professional, and it can lead to the connection eventually coming loose entirely due to temperature fluctuations. We at FATH have been thinking about this issue for years, and we have a few robust solutions in store. Ask us!



ROOF HOOKS

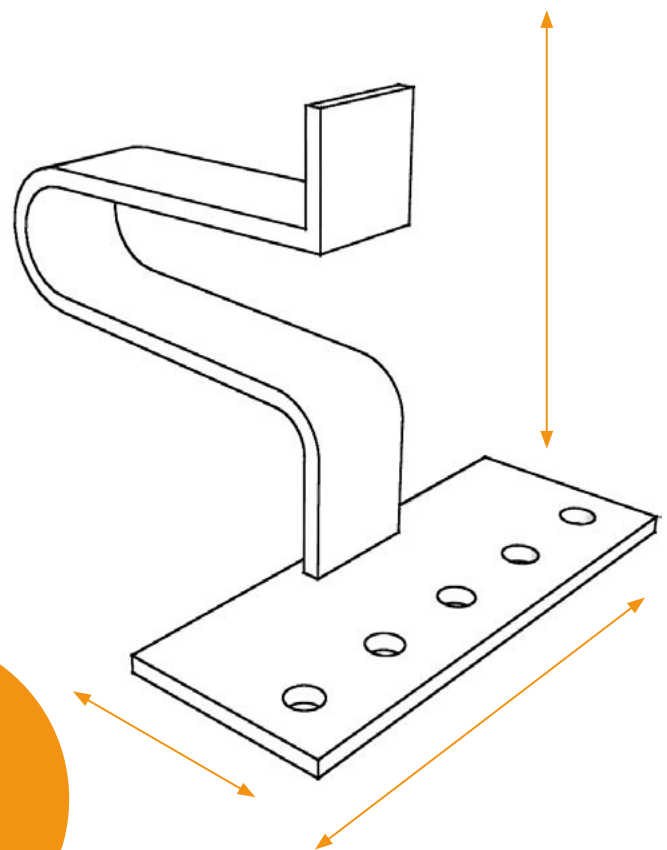
Maximum safety: hook it on.

The roof hook remains the classic solution when it comes to securely mounting PV systems on roofs covered with roof tiles.

FATH has been supplying roof hooks for well-known fastening systems for years. That means we know what we're doing. We're familiar with the various installation scenarios, have analyzed all standard concrete roof tiles, and have thoroughly studied the challenges of routing through the roof membrane.

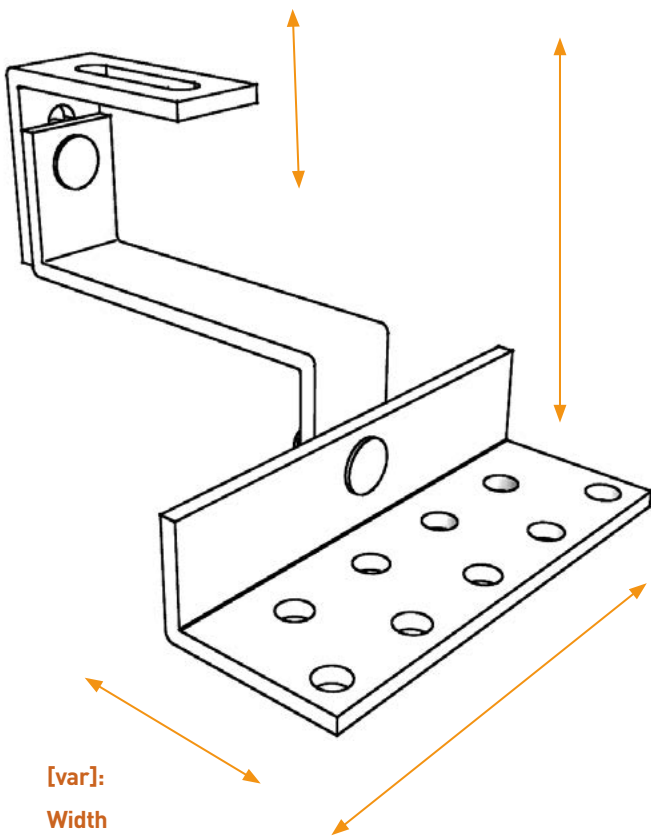
If you'd like, we can custom-make a roof hook that fits your system perfectly.

But even when it comes to classic shapes and dimensions (or variations thereof), you've come to the right place, because we have the production and sourcing expertise to deliver the optimal roof hook at the optimal price in the desired quantity at the right time – as a raw part, assembled, packaged, just as you want it.



**YOUR
TAILOR-MADE
ROOF HOOK**

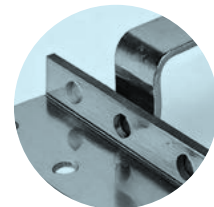
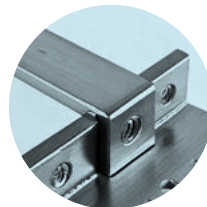
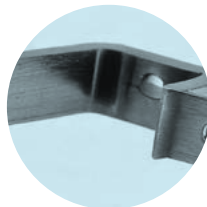
FATH



[var]:
Width
Height
Shape
Material
Surface
Spring elements
Adjustability
Branding
Packaging

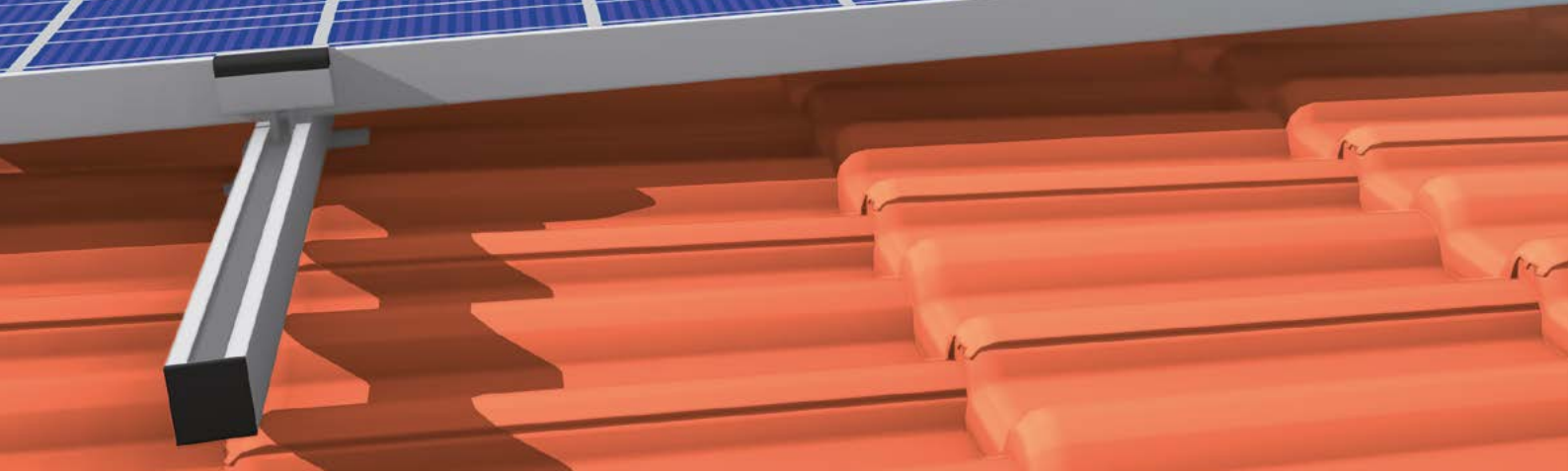
- Made of aluminum or stainless steel
Brushed or anodized aluminum
- Sandblasted stainless steel available
- Plugged or welded solutions
- Reinforced or non-reinforced variants
- Adjustable or fixed
- With spring elements:
standard, plastic, EPDM
- Branding with your logo

HIGHLIGHTS



JUST THE WAY YOU WANT IT: REINFORCED OR UNREINFORCED

A reinforced roof hook offers extra stability for extreme weather conditions such as strong winds or snow, while a non-reinforced roof hook provides a cost-effective solution for standard requirements. Both ensure safe and reliable installation of the photovoltaic system, tailored to the roof and installation conditions. We offer both reinforced and non-reinforced roof hook variants so you can tailor your mounting system perfectly to individual customer needs—for optimal safety and customer satisfaction.



PLASTIC COVER CAPS

Best price for the best side character

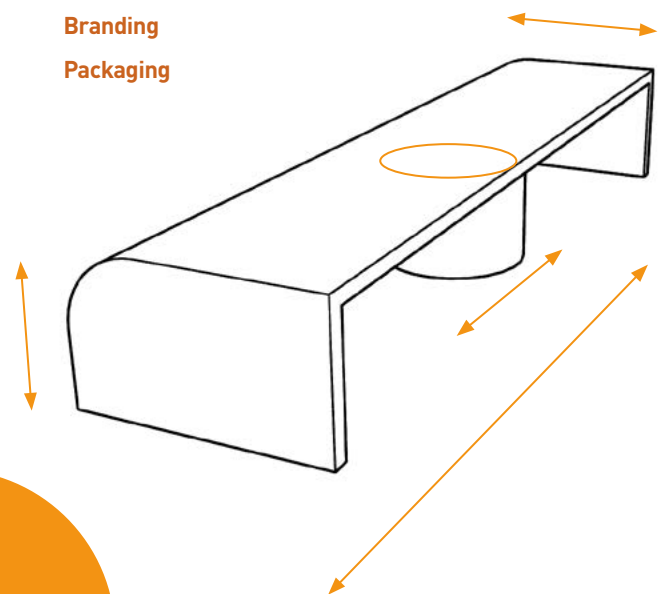
Cover caps may seem like a minor detail when it comes to designing a PV mounting system. They literally play no leading role, and ideally, you'd want to spend as little time as possible on them.

At FATH, we know from experience that while price is the main factor here – it's not the only one.

Cover caps should remain securely in place for decades, through wind and weather, frost and heat. They should enhance the appearance of the entire system, and when properly designed, they can protect the profiles from aging and corrosion.

At FATH, our designers and engineers take these seemingly insignificant parts very seriously, so that you never have to think about them again throughout the entire service life of your fastening system. After all, they are meant to do just one thing: fulfill their purpose, and do so as well and as unobtrusively as possible.

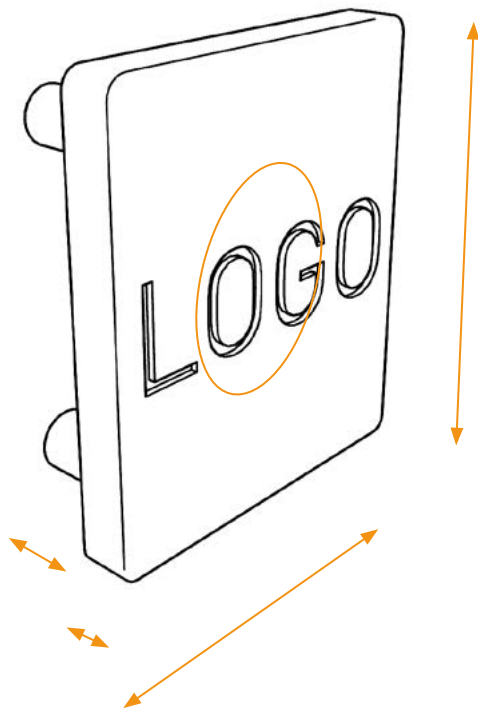
- [var]:
- Width
- Height
- Depth
- Shape
- Material
- Surface
- Branding
- Packaging



CLEAN
AND
STABLE
FINISH

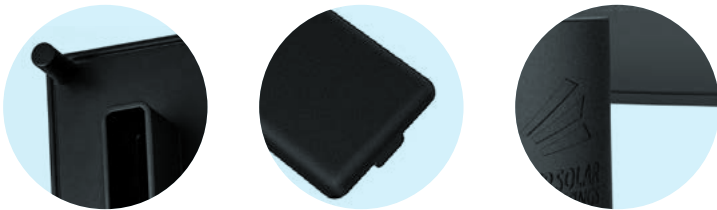


FATH



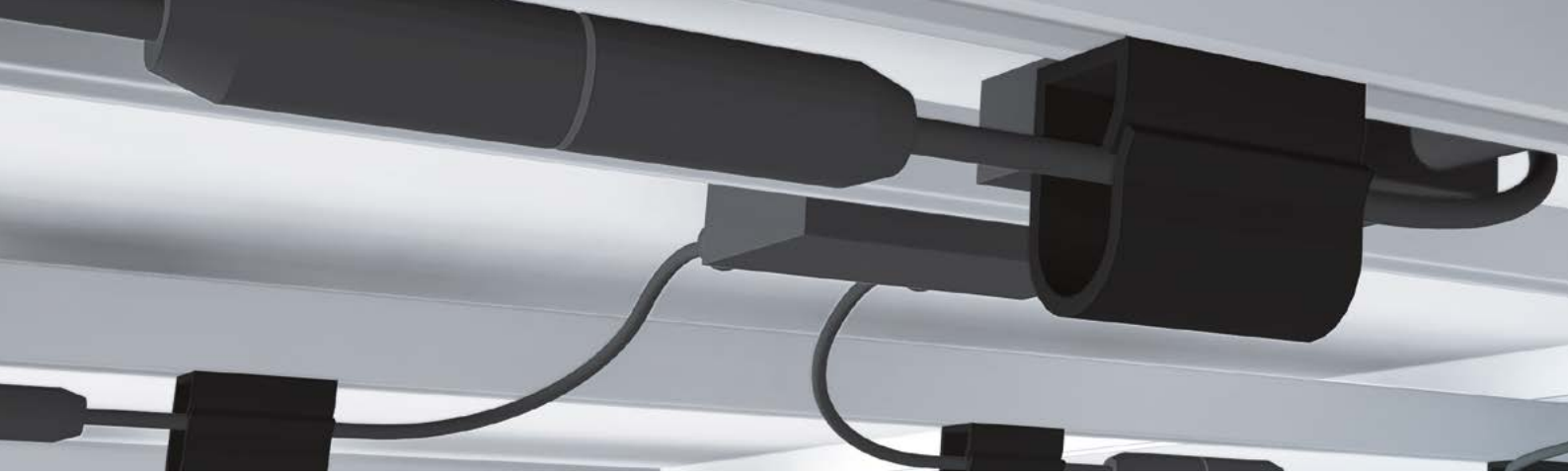
- Plastics: PA 6, PA 6 with GF and GK content
- also available UV-stabilized
- Color: black; other colors available upon request
- Surface: eroded or smooth
- Water drainage
- Also available in combination with a matching profile cover
- Branding with logo available

HIGHLIGHTS



BRING YOUR SYSTEM IN LINE: DESIGN AND BRANDING

Sometimes it doesn't take much to turn a simple surface into a small design element that gives your entire system its distinctive look. We'll do that for you, and of course we'll integrate your logo upon request. The finished cover cap doesn't cost any more. But it adds value, makes your system look better, and makes it unique. Why would you want to miss out on that?



CABLE MANAGEMENT FOR PV SYSTEMS

Leading cable solutions.

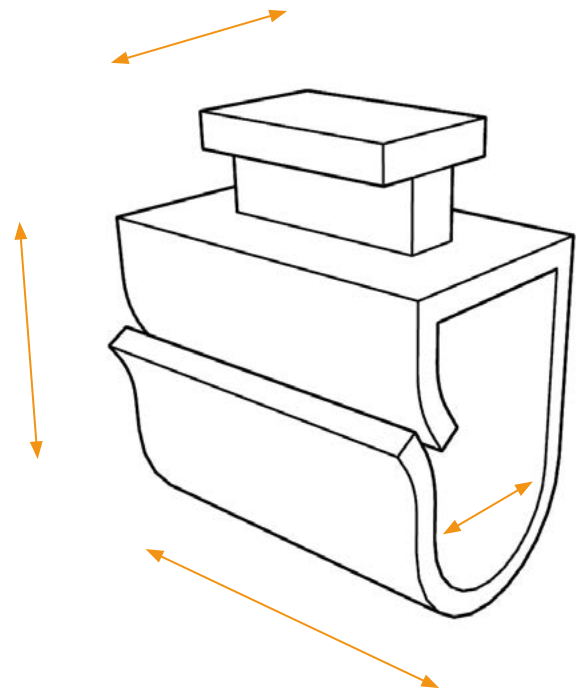
Once again, it becomes clear that it's the little things that make all the difference. PV systems have cables and connectors (and sometimes microinverters), and these should be neatly and securely fastened to ensure the system's long-term, maintenance-free operation.

FATH has already developed clever clamps for many customers that reliably hold cables in place on systems all over the world.

A key factor in their development was a precise understanding of the profiles and components to which the clamps must attach, including their tolerances, surface variations, and mounting options. This allowed us to successfully transfer the knowledge FATH has accumulated over decades regarding the conception, design, and production of industrial plastic components to this product family without any loss of quality.

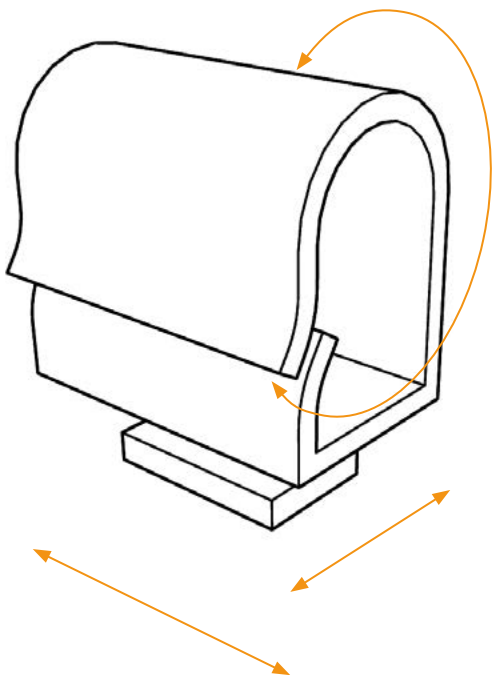
You benefit from our expertise and, above all, from the speed with which we develop and produce clamping solutions for you. This means you don't have to handle it yourself or order off-the-shelf solutions that are only partially suitable. At FATH, you get the perfectly fitting parts for your specific application.

KEEPING
THINGS TIDY
UNDER THE
PANEL



[var]:
Principle
Shape
Dimensions
Material
Surface
Branding
Packaging

FATH



- Plastics: PA 6, PA 6 with GF and GK content
- Also available UV-stabilized
- Color: black, other colors available upon request
- Surface: eroded or smooth
- Fastening as needed via snap-fit and locking mechanisms or spring clips
- Branding with logo available

HIGHLIGHTS



ADDED VALUE: STRESS RELIEF

When designed correctly, cable clamps can enhance an important safety feature: stress relief. Upon request, we integrate this function into the cable clamp's design and ensure it cannot slip, so that it maintains this function permanently. Talk to us, even if you have other ideas about what cable management should be capable of. Our designers, engineers, and product managers look forward to new challenges.

SOLAR CABLE COUPLER EDGE CLIP

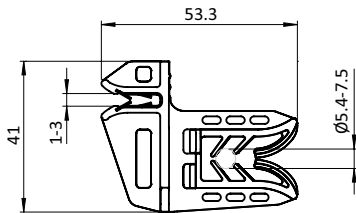
MODEL	Up to \varnothing 7.6 mm outside diameter
DESCRIPTION	To attach cables with solar connector securely and quick lengthwise to edges without cable ties; self-clamping mount on profile or sheet metal edges
MATERIAL	Clip: Plastic PA, glass fibre reinforced, UV-stabilized Clamping element: Stainless steel
COLOR	Clip: Black
PACK QUANTITY	50 pieces



Clamping Range [mm]	Weight [g]	Part #
1.0 - 3.0	17.7	093618KMC4

SOLAR CABLE EDGE CLIP

MODEL	Ø 5.4 - 7.5 mm outside diameter
DESCRIPTION	To attach cables securely and quick both lengthwise and crosswise to edges without cable ties, with strain relief; self-clamping mount on profile or sheet metal edges
MATERIAL	Clip: Plastic PA, glass fibre reinforced, UV-stabilized Clamping element: Stainless steel
COLOR	Clip: Black
PACK QUANTITY	100 pieces



Clamping Range [mm]	Weight [g]	Part #
1.0 - 3.0	6.9	093616K180

SNAP-CABLE-BINDING WITH HAMMER

MODEL Ø 5.0 - 7.6 mm outside diameter

DESCRIPTION To attach of cables securely and quick and without cable ties, with strain relief; can be mounted into the slot by a quarter turn or by snapping in

MATERIAL Plastic PA

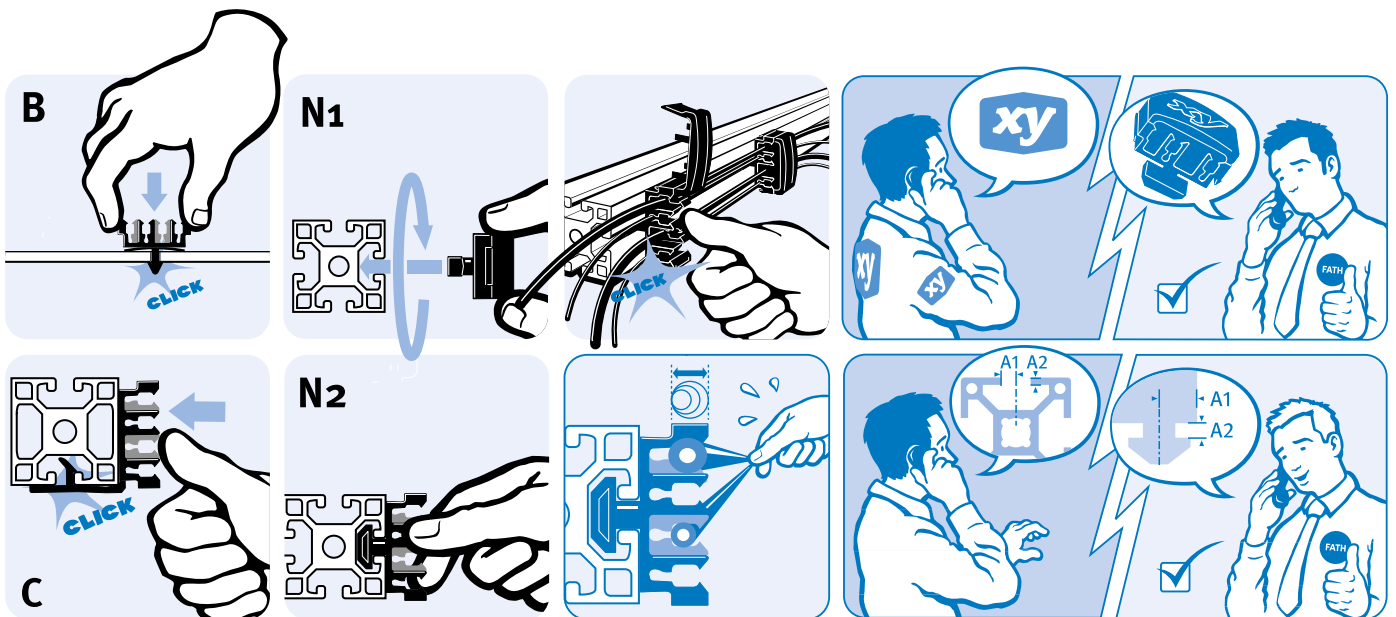
COLOR Black

PACK QUANTITY 100 pieces

SPECIALS Customized hammer, other sizes, other colors, material additives and with individual logo on request

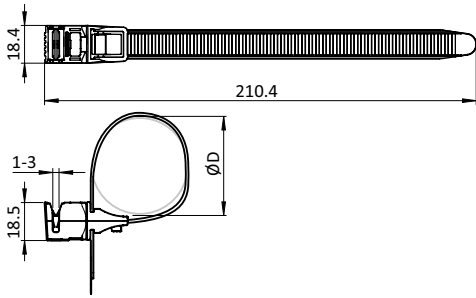


Version	A1 [mm]	A2 (Profile) [mm]	Profile	Weight [g]	Part #
(N) Hammer for slot	8.0	4.4 [4.5]	I	10.8	093611N08
(N) Hammer for slot	10.0	5.7 [6.0]	B	10.4	093610N10



FIXING TIE EDGE CLIP 0°/45°/90°

MODEL	Sturdy design
DESCRIPTION	To attach cables securely and quick both lengthwise and crosswise or at a 45° angle to edges; self-clamping mount on profile or sheet metal edges
MATERIAL	Clip: Plastic PA, UV-stabilized Clamping element: Stainless steel
COLOR	Clip: Black
PACK QUANTITY	100 pieces



Clamping Range [mm]	ØD [mm]	Weight [g]	Part #
1.0 - 3.0	19 - 40	11.6	093619K45



REPLACEMENT ROOF TILES

Seamless execution

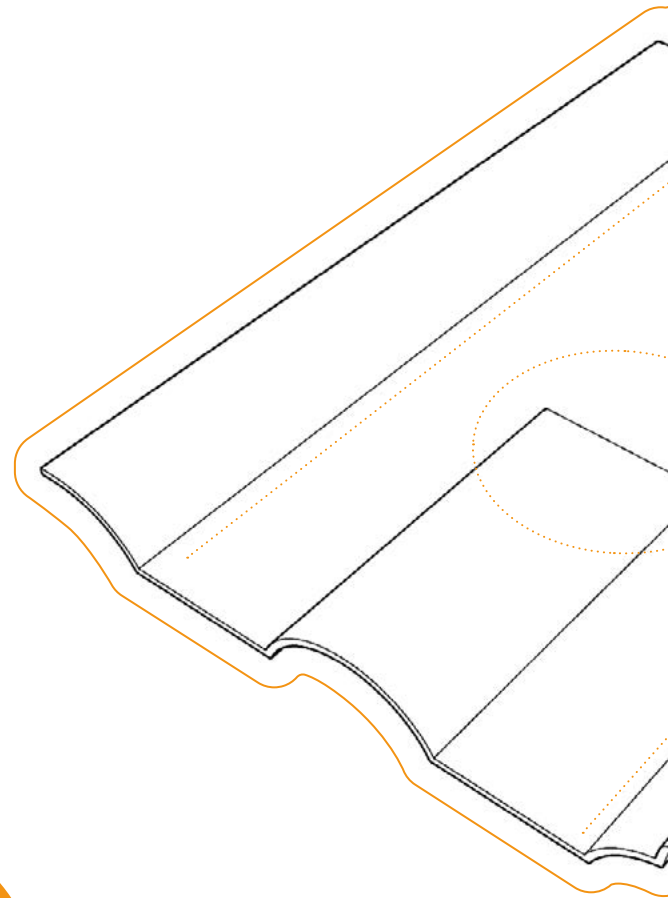
No one likes cutting roof tiles on the roof. And no one likes it when the watertightness of a roof is left partly to chance.

That's why we work with customers to develop replacement roof tile solutions that provide an easy to install and secure way to route support elements for PV systems.

There are various approaches here, depending on whether flexibility, speed of installation, or price is the most important criterion. And depending on whether you want to use anchor bolts, proprietary fastening systems, or existing substructure components, the replacement roof tile must be designed differently. We have thoroughly researched, tested, and developed all of this in recent years, resulting in a number of market-ready product solutions. You may even have held one of these replacement tiles in your hand before – you just didn't know it was developed by FATH.

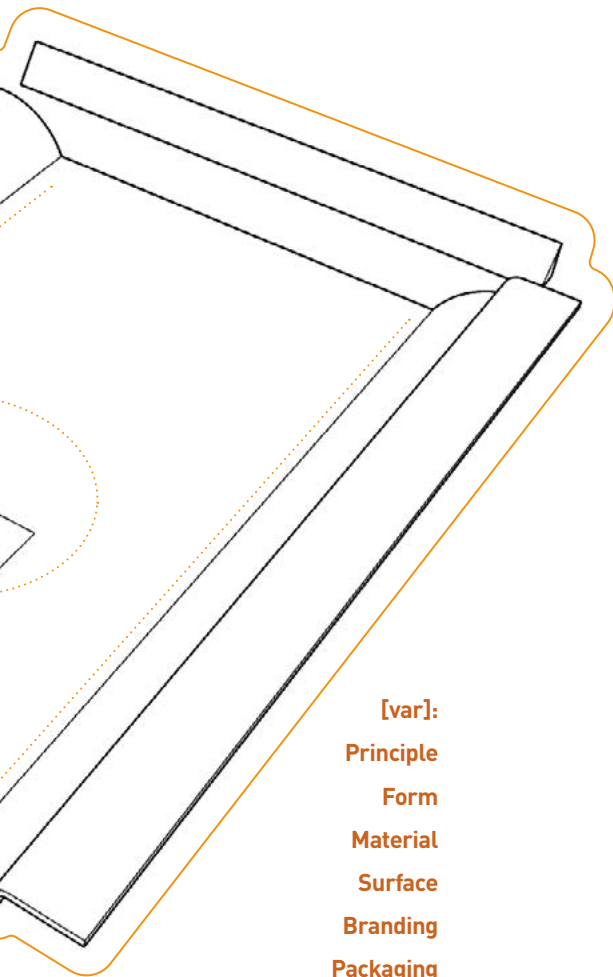
For you, this means you can draw on our extensive experience, our industry network, and our development and manufacturing expertise to work with us to find an innovative solution. Or you can take over a version for which we retain the rights, saving time and money while foregoing exclusivity.

SIMPLY
BETTER





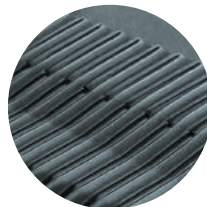
FATH



[var]:
Principle
Form
Material
Surface
Branding
Packaging

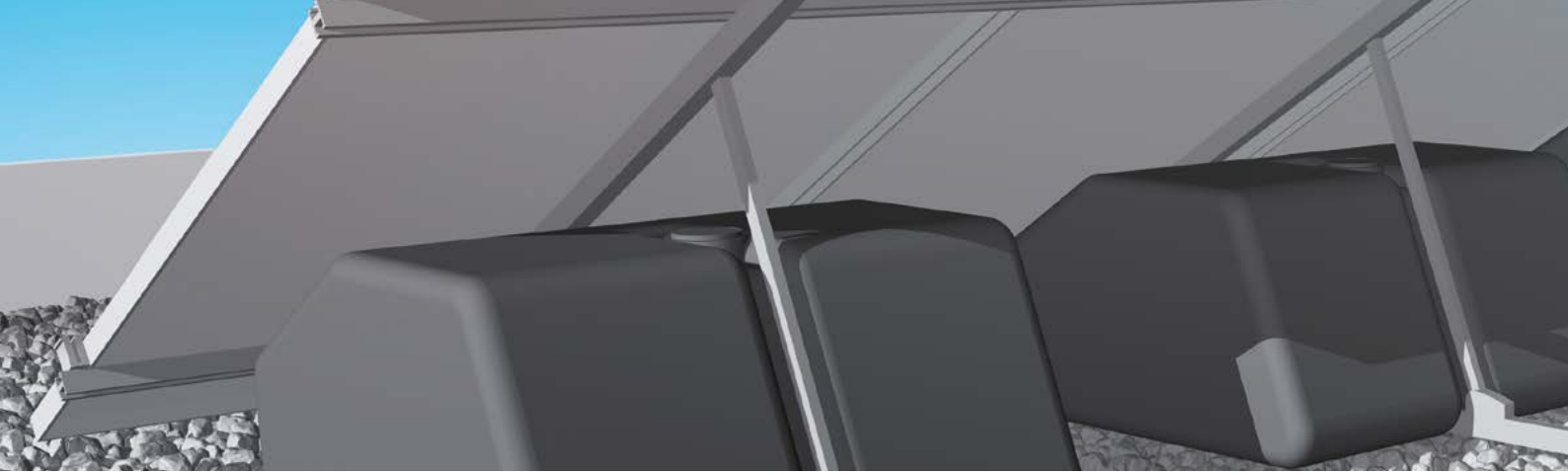
- Various dimensions, suitable for concrete roof tiles or clay roof tiles
- Aluminum, steel, stainless steel, plastic, PIB composite material, etc.
- Colors as needed
- Complete systems with all mountin components (seals, etc.), including substructure if required
- Support with design protection
- Support with weathering tests
- Exclusivity and branding upon request

HIGHLIGHTS



PROTECT YOUR LEAD: FATH HELPS WITH DESIGN PROTECTION

A good replacement roof tile solution can provide a significant competitive advantage. If you want to ensure you don't have to share this with others, design protection or a patent can help. We work with highly competent patent attorneys who will develop a customized, cost optimized, and maximally effective protection strategy for you. This service is included in the development budget and helps you maintain full control over the product developed for you – ultimately even against us. This way, you can ensure that your investment yields maximum returns.



BALLAST CONTAINERS AND BLOCKS

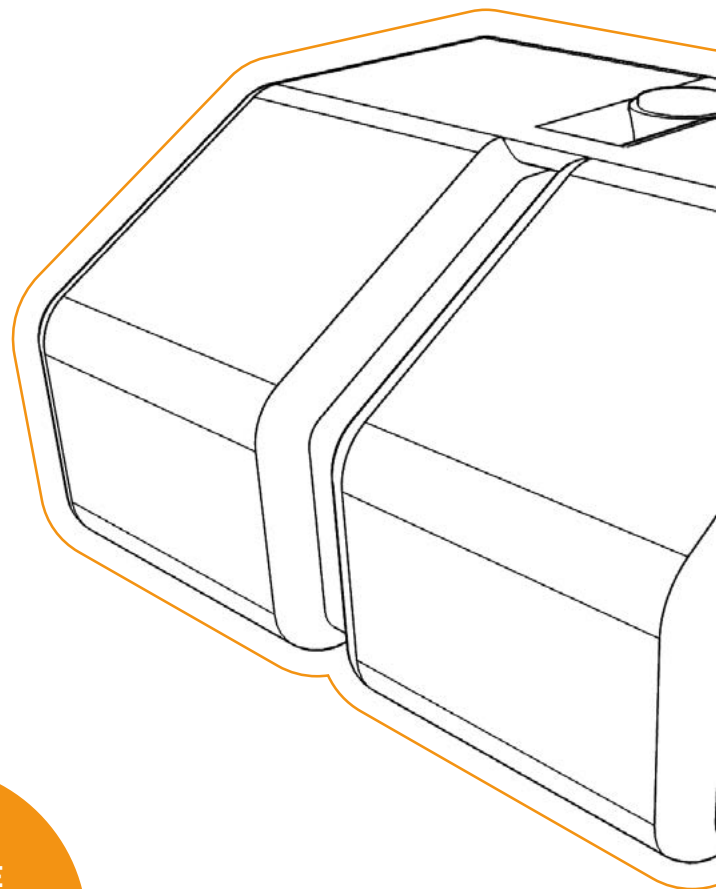
We make heavy light

There are various technical options for securely fixing flat-roof systems to a closed roof membrane in all wind conditions. One of these is the use of ballast containers or ballast blocks.

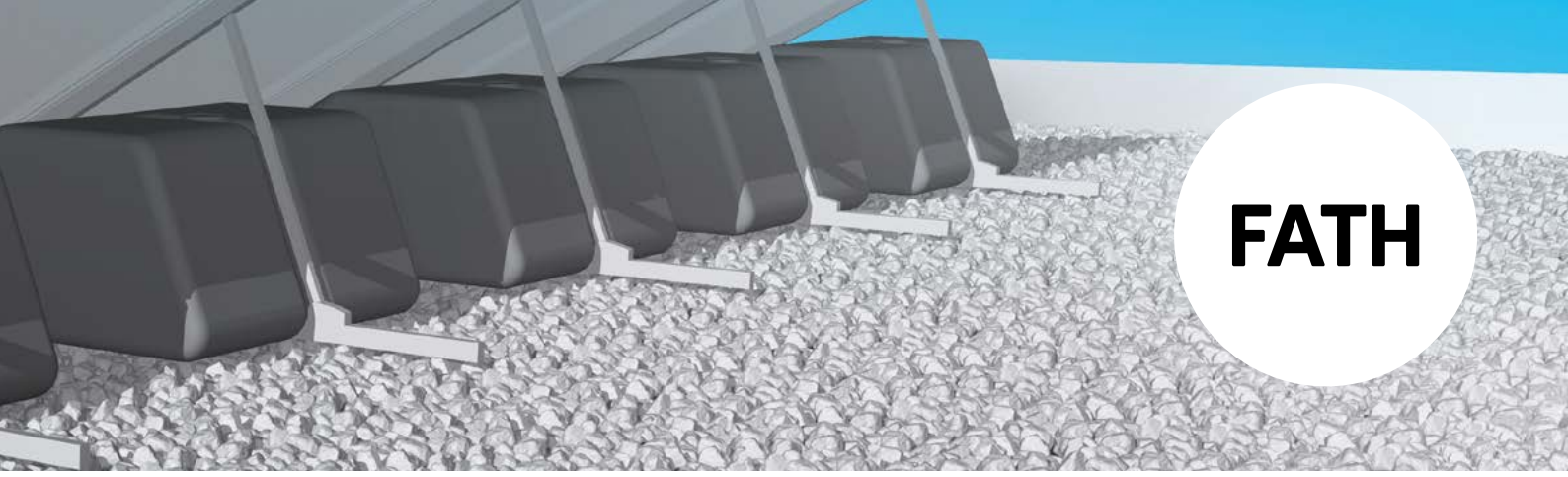
Some time ago, FATH began developing solutions in this area as well, solutions that increase customer benefits, reduce installation effort, and lower costs.

There are various principles involved: The ballast container usually consists of a custom-shaped blow-molded plastic tank that can be filled with sand or water. The possibility of the water freezing must be taken into account by providing expansion areas.

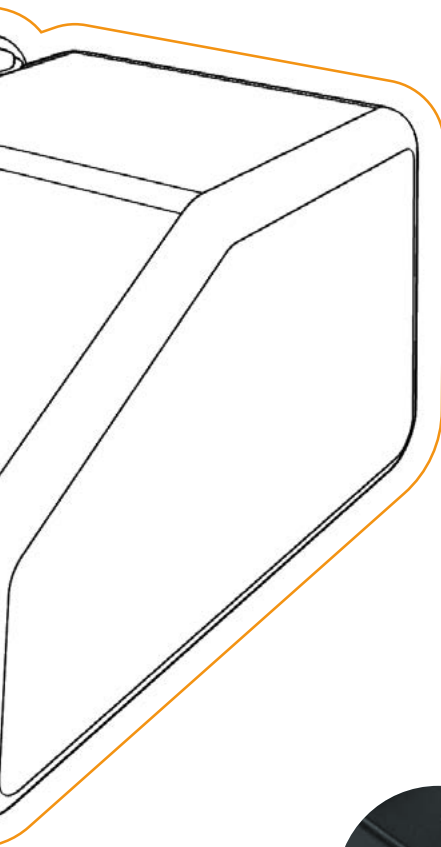
The ballast block is normally made of cast concrete. However, we are currently working on a solution using plastic filled with recycled material. This is sustainable because the recycled material – which is often unsuitable for other purposes – is, in a sense, “borrowed” from the material cycle and can return to the recycling process once the PV system reaches the end of its useful life. And we assume that in 20 or more years, there will be new upcycling possibilities that we don’t even know about today. Until then, the material is set aside and serves a useful purpose as a filler. If you think that’s smart, get in touch with us.



**INNOVATIVE
BALLAST
SOLUTION**



FATH



[var]:
Principle
Form,
Material,
Branding
Packaging

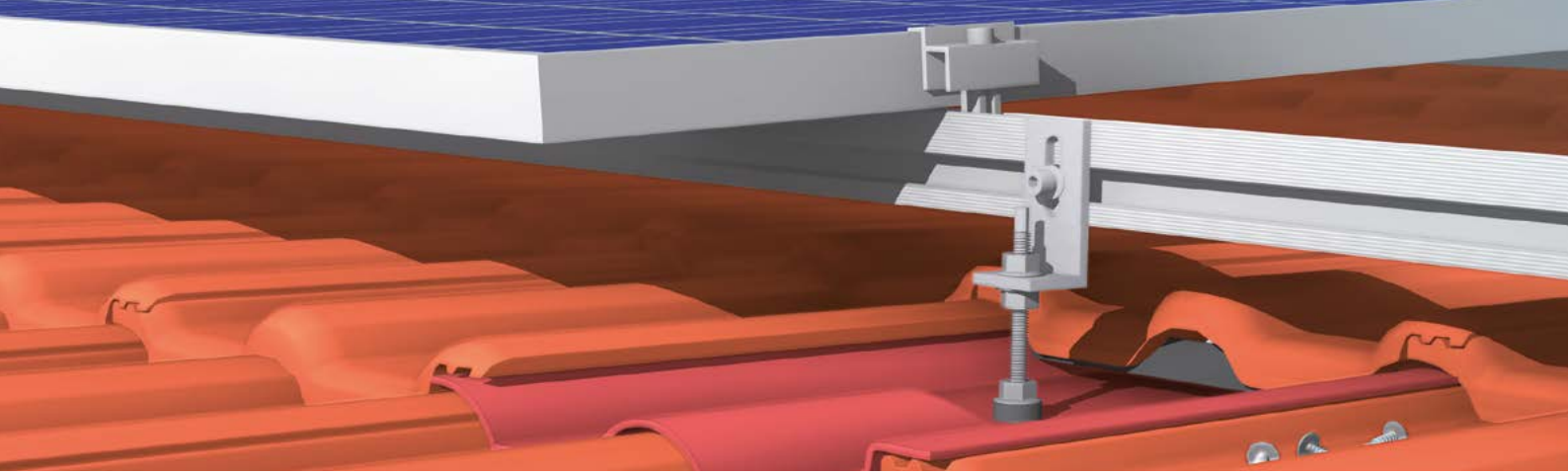
- Ballast container made of HDPE, blow-molded
- Ballast blocks with recycled material
- Adapted to your installation system
- Various sizes and shapes available
- With or without integrated mounting hardware

HIGHLIGHTS



SUSTAINABILITY: THE GOAL WE NEVER LOSE SIGHT OF

Sustainability is a key consideration in all FATH developments. The term is not just a buzzword; rather, it is defined by the fact that a product is useful, resource-efficient, durable, and recyclable. We keep this in mind in all our developments, but we are aware that buyers of PV systems have specific expectations in this regard and keep a particularly close eye on materials and processes. Sustainability does not always mean using recycled or fossil-free materials. This is because these innovative materials often fail to meet the requirements for UV resistance, frost resistance, and dimensional stability while using the least amount of material possible. And what good is a marketing-friendly choice of materials if the system fails after just a few years? We work with you to develop the right concept to strike a good balance between environmentally friendly manufacturing and durability.

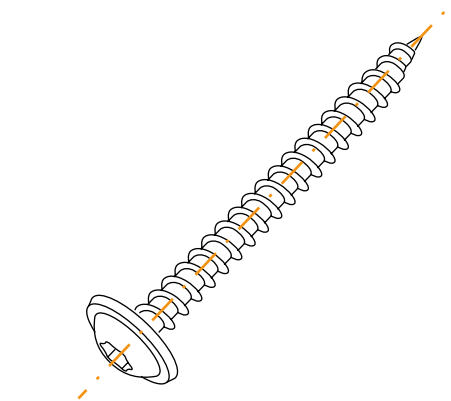
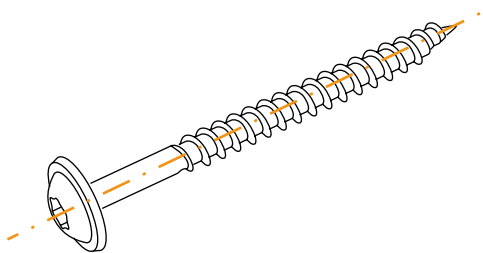
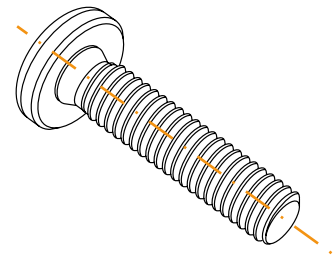


FASTENERS FOR SOLAR MOUNTING

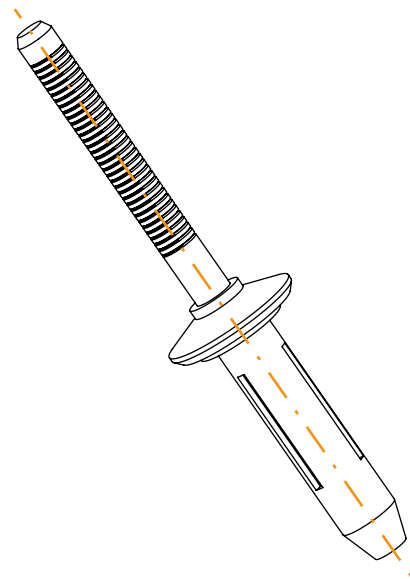
It all starts with a good connection

FATH has everything you need for your mounting system. Our goal is for you to get your high-quality fastening materials directly from us at a competitive price, without having to manage multiple suppliers.

With our international purchasing network, our strong market connections, and the option to manufacture in house, we are your primary source for the small but crucial parts that make a mounting system complete.

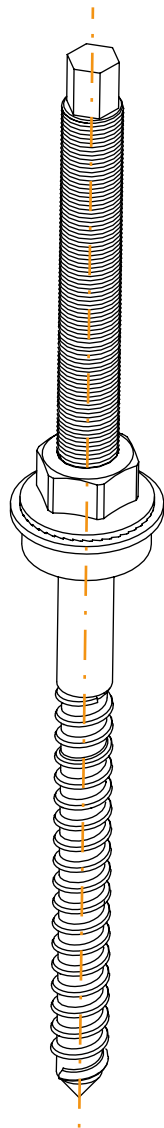


EVERYTHING
FROM A
SINGLE SOURCE



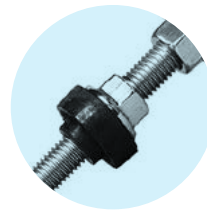
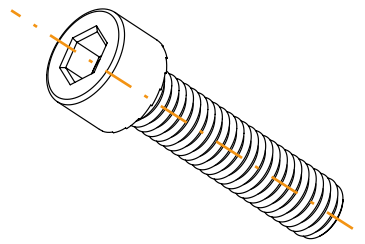
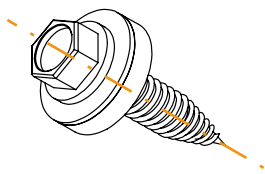
FATH

[var]:
Form
Dimensions
Material
Surface
Drive type
Packaging



- Blind Rivets
- Sheet metal screws
- Aluminum screws
- Standard screws
- Wood screws
- Hanger bolts

HIGHLIGHTS

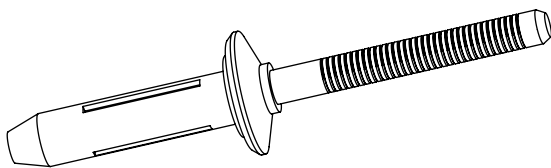


RIBE® ALUFORM – EXCLUSIVELY FROM FATH SOLAR COMPONENTS

RIBE® Aluform screws are ideal for material-matched fastening of aluminum components and for electrical contact screw connections. They are ultra-lightweight – only about one-third the weight of a steel screw. Since there is no potential difference in aluminum components, the connection is particularly corrosion-resistant. The resulting assembly can be easily recycled. Aluform screws offer low preload loss and reduced tightening torque. Thanks to their optimized electrical contact resistance, they are perfect for electrical applications. With a shallow insertion depth, they ensure flexible, efficient connections. FATH offers RIBE® Aluform screws exclusively for the solar industry. Ask us.

BLIND RIVETS

MODEL	Press-fit blind rivet
DESCRIPTION	for fastening to trapezoidal, corrugated, and other sheet metal materials
DIMENSIONS	Ø 6.4 × 22 mm
RIVET MANDREL	notched for optimal hole filling
MATERIAL	Aluminum / Aluminum
WASHER	EPDM
CLAMPING RANGE	5.4 - 10 mm
FEATURES	can be installed using a standard riveting tool



Dimensions Ø × L [mm]	Weight [g]	Part #
6.4 × 22	4.0	KT84052002R02

SHEET METAL SCREWS

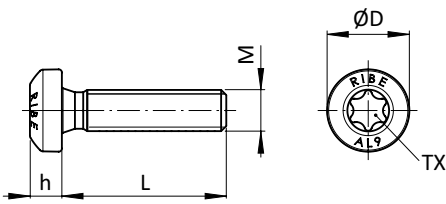
MODEL	Thread-forming, self-tapping sheet metal screw with EPDM gasket
DESCRIPTION	for quick installation on aluminum and steel sheets without drilling
DRIVE TYPE	External hex SW 8
MATERIAL	Bimetal: stainless steel, tip made of hardened carbon steel
BLADE	EPDM, diameter 16 mm
CLAMPING FORCE	1 – 10 mm
DRILLING CAPACITY	≤ 2 mm
FEATURES	Double thread, with building authority approval
EXTRAS	Other drive types and sizes available on request



Dimensions M × L [mm]	Weight [g]	Part #
M6 × 25	0.7	KT6062027
M6 × 38	0.9	KT6062028

RIBE® ALUFORM BOLT

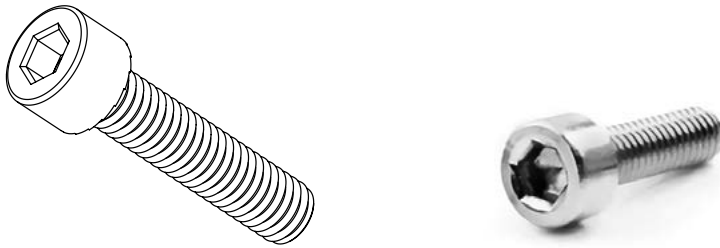
MODEL	With hexalobular socket TX
DESCRIPTION	For the material-matched connection of aluminum components and for electrical contact screw connections; Corrosion-resistant, easy to recycle, approx. 2/3 weight saving compared to similar steel screws; Reduced electrical contact resistance
MATERIAL	Aluminum
SURFACE	With dry film lubrication
PACK QUANTITY	100 pieces



ØD [mm]	h [mm]	Size M × L [mm]	Weight [g]	Part #
8.0	3.1	M4 × 16	0.9	097AS04016
8.0	3.1	M4 × 20	1.0	097AS04020
8.0	3.1	M4 × 25	1.2	097AS04025
8.0	3.1	M4 × 30	1.3	097AS04030
10.0	3.7	M5 × 20	1.7	097AS05020
10.0	3.7	M5 × 25	1.9	097AS05025
10.0	3.7	M5 × 30	2.2	097AS05030
10.0	3.7	M5 × 35	2.5	097AS05035
10.0	3.7	M5 × 40	2.7	097AS05040
12.0	4.6	M6 × 20	2.6	097AS06020
12.0	4.6	M6 × 25	3.0	097AS06025
12.0	4.6	M6 × 30	3.4	097AS06030
12.0	4.6	M6 × 35	3.8	097AS06035
12.0	4.6	M6 × 40	4.1	097AS06040
16.0	6.0	M8 × 20	5.1	097AS08020
16.0	6.0	M8 × 25	5.8	097AS08025
16.0	6.0	M8 × 30	6.5	097AS08030
16.0	6.0	M8 × 35	7.2	097AS08035
16.0	6.0	M8 × 40	7.9	097AS08040
16.0	6.0	M8 × 45	8.5	097AS08045
20.0	7.5	M10 × 20	9.1	097AS10020
20.0	7.5	M10 × 30	11.2	097AS10030
20.0	7.5	M10 × 40	13.3	097AS10040
20.0	7.5	M10 × 50	15.4	097AS10050
20.0	7.5	M10 × 60	17.6	097AS10060

STANDARD SCREWS

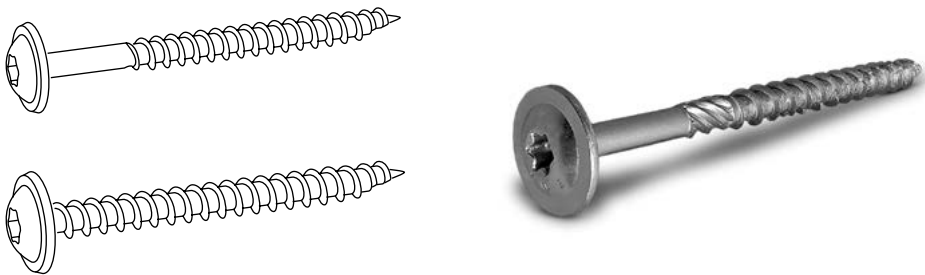
MODEL	Cylinder head bolt
DESCRIPTION	for mounting PV substructures
DRIVE TYPE	Hex socket SW 6
MATERIAL	Stainless steel 1.4301
FEATURES	with undercut threads
EXTRAS	Other sizes available on request



Dimensions M x L [mm]	Weight [g]	Part #
M8 x 20	13.0	4DIN912M0820ES02
M8 x 25	17.0	4DIN912M0825ES06
M8 x 35	17.5	4DIN912M0835ES02

WOOD SCREWS

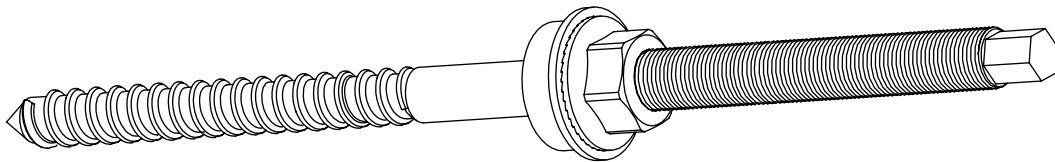
MODEL	Self-tapping pan-head wood construction screw
DESCRIPTION	for use in solid wood and glued-laminated timber structures
DRIVE TYPE	Hexagon socket (TX)
HEAD	Flange head Ø 20 mm
MATERIAL	Stainless steel
CLAMPING FORCE	1 – 10 mm
DRILLING CAPACITY	1 / 2 mm
FEATURES	With and without HiLo thread, with and without full thread,
EXTRAS	Other drive types, other sizes available on request



Dimensions M x L [mm]	Weight [g]	Part #
M8 x 80	20.0	on request
M8 x 100	26.0	on request
M8 x 120	28.0	on request

HANGER BOLTS

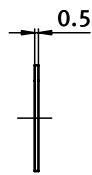
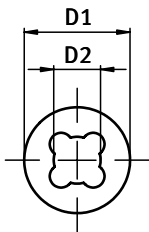
MODEL	Hanger bolt, ready-to-install set
DESCRIPTION	for securing PV substructures
SET	Hose clamp, flange nut, EPDM gasket, washer
DRIVE TYPE	External hexagon
MATERIAL	Stainless steel, EPDM
FEATURES	With wood screw thread, with metric thread, with building authority approval
EXTRAS	Other versions available upon request



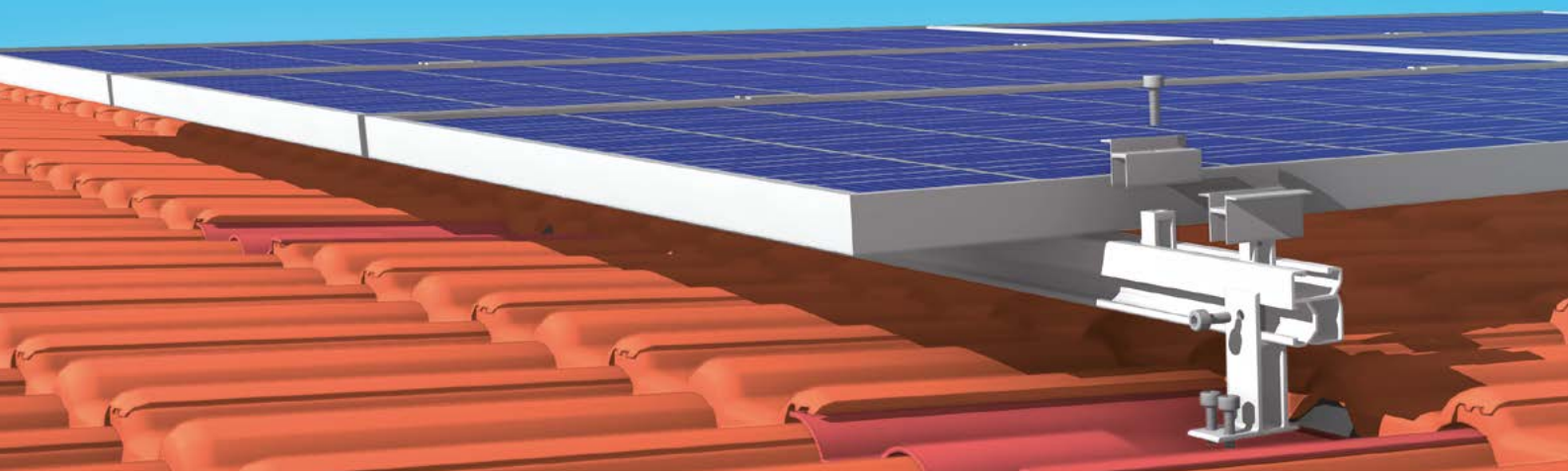
Dimensions M × L [mm]	Weight [g]	Part #
M8 × 150	63.5	097ST08150ERH
M10 × 200	112.0	097ST10200ERS
M12 × 250	204.0	097ST12250ERH

ANTI-LOSS WASHER

MODEL	For screws with thread M5, M6, and M8
DESCRIPTION	To easily and fastly secure screws
MATERIAL	Plastic PA
COLOR	Natural / black
PACK QUANTITY	1000 pieces
SPECIALS	Other sizes on request



Color	for Screw	D1 [mm]	D2 [mm]	Weight [g]	Part #
Natural	M8	14.0	6.2	1.0	093156



MOUNTING SYSTEMS

Your very own building kit

Sometimes it's good to start from scratch. We don't want to go so far as to talk about "First Principles Thinking," but taking a few steps back and question industry standards can be quite useful.

FATH has developed or fundamentally improved complete mounting systems, both for rooftop and ground-mounted installations, or improved them significantly. In doing so, we've incorporated a wealth of practical knowledge and "real-world" experience. And you can use that for your project.

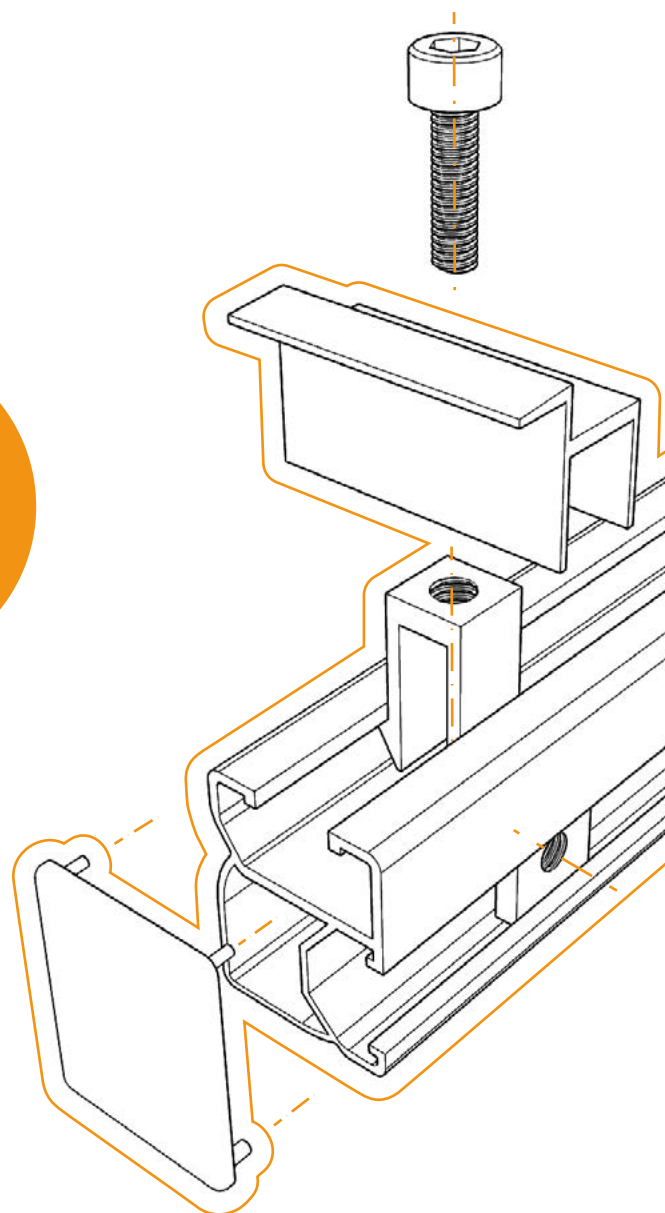
Even if you're doing something like this for the first time: With us, it's as if it were the fifth version – with all the corresponding benefits.

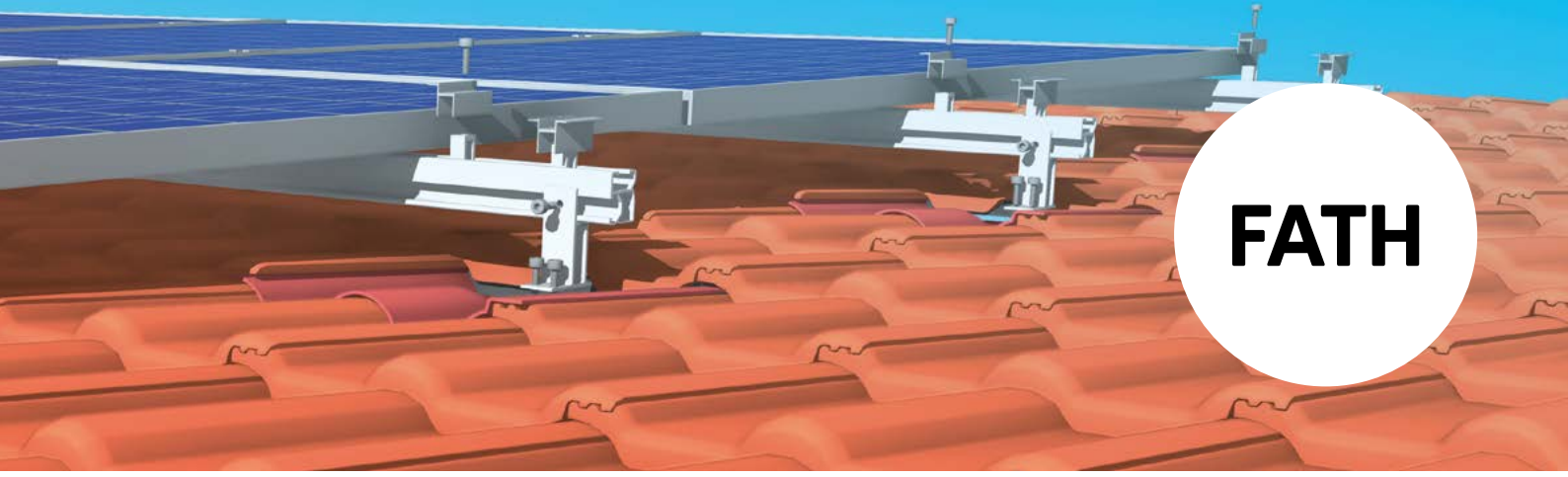
In a small workshop, we work with you to develop the most important specifications for your system. We analyze issues with existing components and gather the wishes and requirements that customers and users have provided.

After a short time (often less than two weeks, depending on the agreement), you'll receive an initial concrete proposal for your assembly system from us.

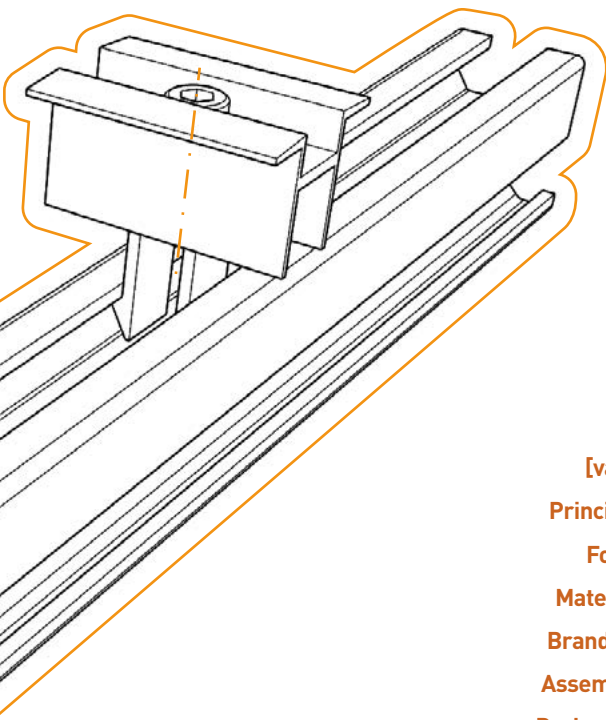
Together with you, we'll then refine this proposal, providing estimates regarding prices and delivery dates relatively early on. If the project is implemented, we can offset the resulting costs against the order value. We believe this is a very good offer. And we look forward to an initial discussion with you.

OPTIMIZED
IS BETTER





FATH

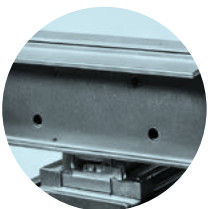
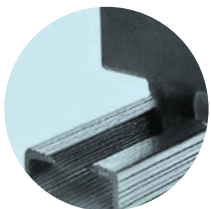
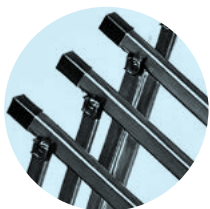
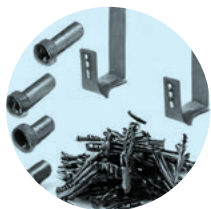


[var]:
 Principle
 Form
 Material
 Branding
 Assembly
 Packaging

+

- Concept, Engineering, and Design
- Simulations
- Prototypes and functional samples
- Test setups
- Design protection
- Tool design and toolmaking
- Aluminum profiles, die-cast aluminum
- Plastic injection molding and plastic extrusion
- Sheet metal processing and deep drawing in steel, stainless steel, and aluminum
- Painting and powder coating

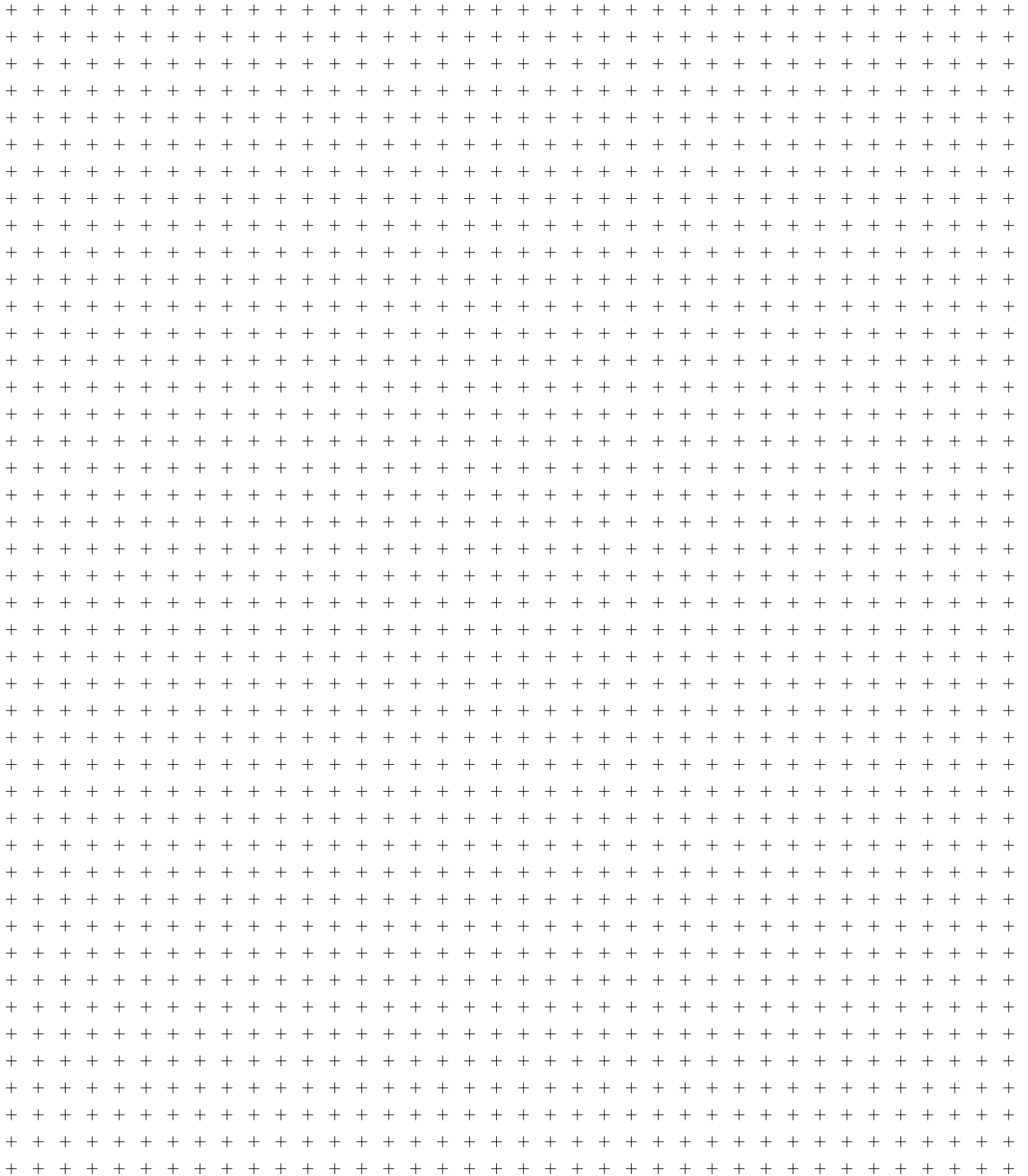
HIGHLIGHTS

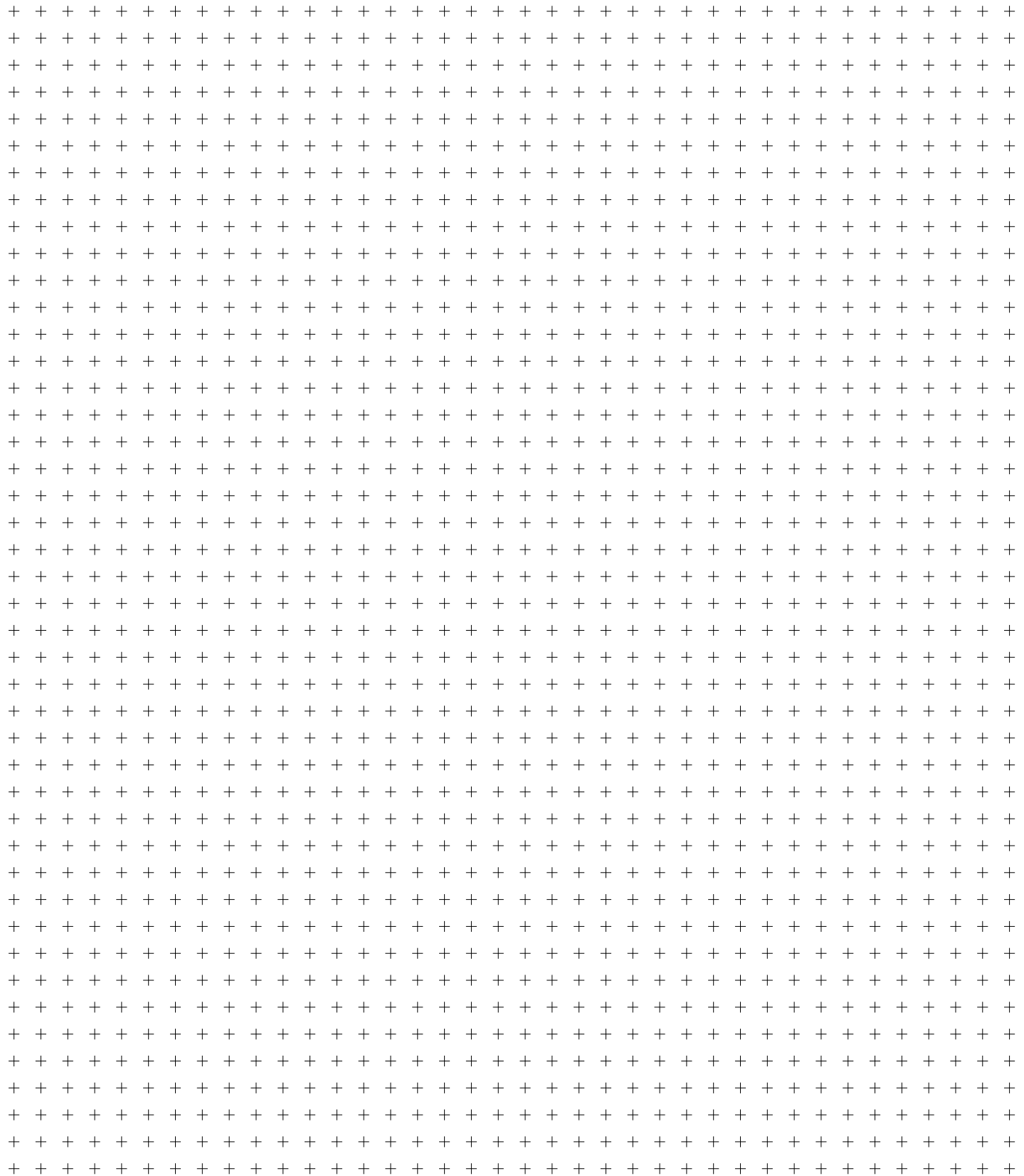


AN UNEXPECTED BONUS: OPTIMIZED LOGISTICS

Our custom-designed mounting systems for PV installations can also help make your logistics more efficient. This is because, when designing the mounting components, we can reduce transport volume and costs without compromising stability. Packaging simulations and, based on them, optimized dimensions can help pack more into less space and create a faster and more cost-effective supply chain all the way to the end customer. For greater efficiency and sustainability.

SPACE FOR YOUR PLANS





FATH GmbH
Solar Components Catalog
Edition 1.1 | Product page data as of: 05/2026

FATH GmbH | Gewerbepark Hügelmühle 31, 91174 Spalt, Germany
P: +49 9175 7909-0 | info.de@fath24.com | fath24.com

Headquarters and place of performance: Spalt,
Nuremberg Commercial Register HRB 10 906
Managing Directors: Wido Fath, Mirko Jan Fath, Dr. Fabian Hänle
VAT ID No. DE 133 541 653

© FATH GmbH

Reproduction or other duplication, even in part, is permitted only with the express consent of FATH GmbH.
Subject to technical changes. All information is provided without warranty.
Drawings and models are protected by copyright.
Our current General Terms and Conditions of Sale, Delivery, and Payment apply.

PIM Programming: Dr. Frank Schütz, Geek in Business GmbH
Illustrations: Andreas Teindl, Certified Designer, Illustrator IO / Christoph Reichelt, Certified Industrial Designer

FATH GmbH
Gewerbepark
Hügelmühle 31
91174 Spalt
Germany

P: +49 9175 7909-200
F: +49 9175 7909-29
info.de@fath24.com

FATH Kft.
Gyár u. 2
2040 Budaörs
Hungary

P: +36 23 880-977
F: +36 23 880-978
info.hu@fath24.com

FATH do Brasil Componentes Industriais Ltda
Rua Santa Mônica, 1106
Parque Industrial San José
Cotia - SP
06715 - 865
Brazil
P: +55 11 2898-9753
info.br@fath24.com

FATH Inc.
6533 Hazeltine National
Drive, Suite 3
Orlando, FL 32822
USA

P: +1 407 601-5900
F: +1 407 601-5905
info.us@fath24.com

FATH Components Ltd.
6 Pegasus Court, North Lane
Aldershot - Hampshire
GU12 4QP
Great Britain

P: +44 1252 346610
info.gb@fath24.com

FATH BV
Rudolf Dieselweg 14
5928 RA Venlo
The Netherlands

P: +31 77 333 35 55
F: +31 77 333 35 50
info.nl@fath24.com

FATH Machine Components (Shanghai) Co., Ltd.
Building B5,
No. 915 Qian Ming East Road
201501 Jinshan / Shanghai
PR China

P: +86 21 5774 4520
info.cn@fath24.com

FATH Inc. S.A. de C.V.
Av. Central 230, Int. 140
Los Lermas
67188 Guadalupe, N.L.
Mexico

P: +52 81 3424-1428
info.mx@fath24.com

Order No. 000417



201615